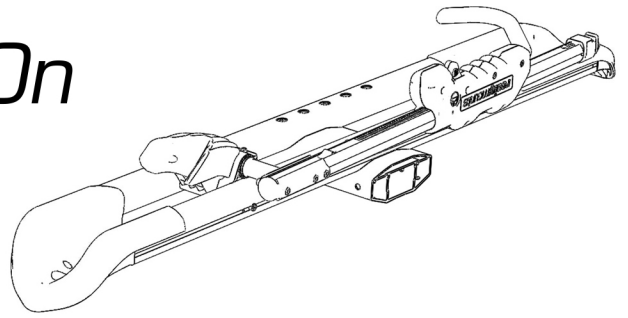




# rockymounts SplitRail Add-On

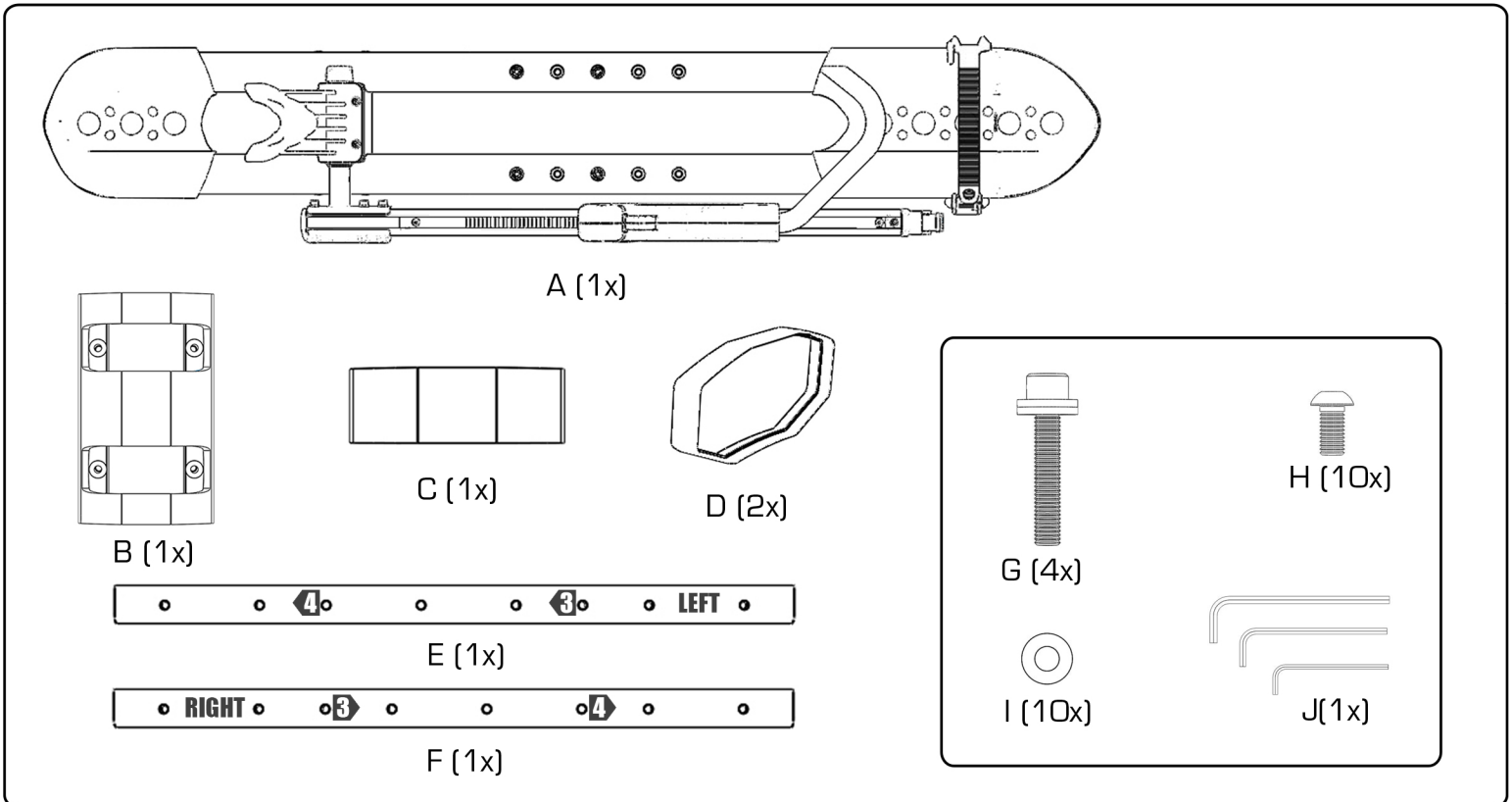


## Guidelines

Max weight per bicycle: 40lbs (18kg)  
 Wheel size: Compatible with 20-29" wheels  
 Tire size: Fits up to 3.0" tires.  
 Max wheel base: 48" (122cm)  
 Remove front fenders, racks, and panniers before use  
 No kick bikes, recumbents, mopeds, scooters, pennyfarthings, fat bikes, or tandems  
 Only compatible with RockyMounts™ 2" SplitRail (SKU 1150)  
 1-1/4" SplitRail not compatible with Single Bike Add-On

## Parts Included

- |                        |                                 |                           |
|------------------------|---------------------------------|---------------------------|
| A: Wheel Tray Assembly | E: Left Bar                     | I: M8 Washers             |
| B: Spine               | F: Right Bar                    | J: 6, 5, & 4mm Hex Wrench |
| C: Spine Spacer        | G: M8x45 SHCS Bolt with Washers |                           |
| D: Gasket              | H: M8x16 bolt                   |                           |

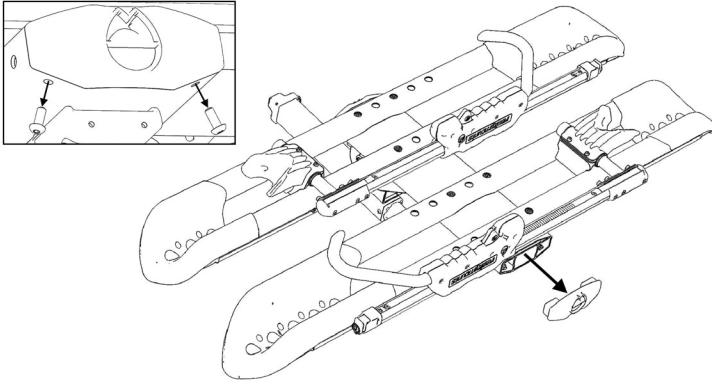


**Read all warnings on last page before use**

START HERE: **3-BIKE ASSEMBLY INSTRUCTIONS (PART 1)**

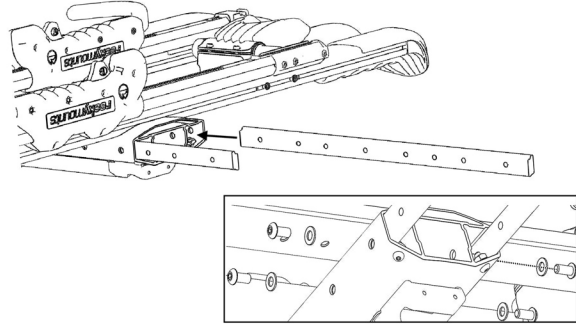
**1 Remove End Cap**

Remove end cap from main spine



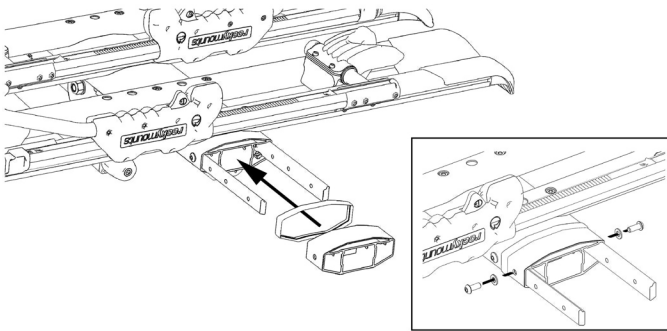
**2 Install Bars**

Insert left and right bar into main spine.  
Align 3 bike mark with end of spine. Install  
4 M8x16 bolts with washers



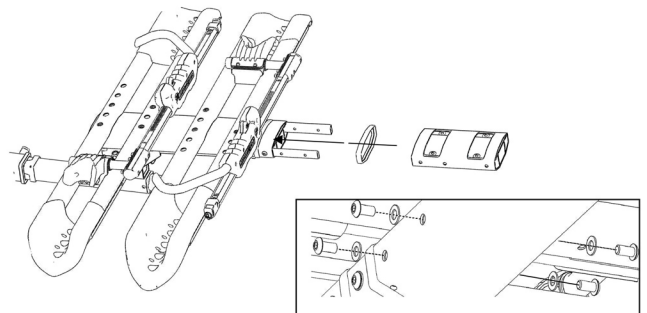
**3 Install Spacer**

Fit gasket onto main spine followed by 2"  
spacer. Install 2 M6x16 bolts and washers



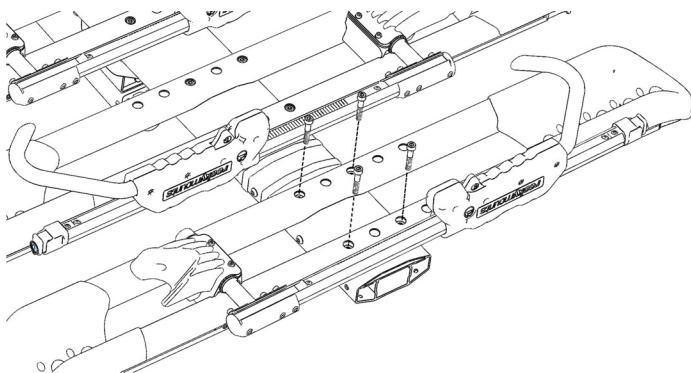
**4 Install Add-On Spine**

Fit second gasket onto spacer followed by  
Add On spine (two holes inside). Install 4  
M6x16 bolts and washers



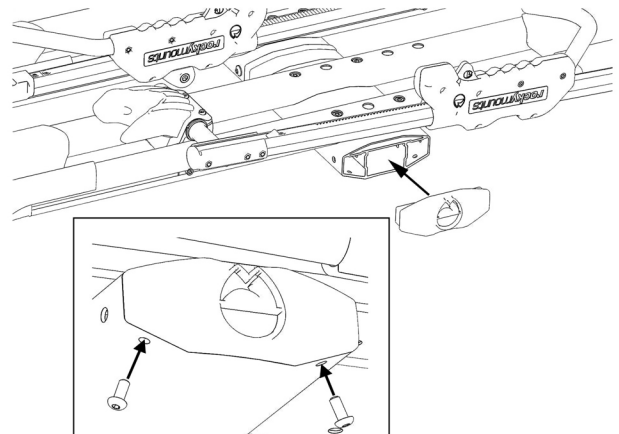
**5 Install Wheel Tray**

Install wheel tray with load arm facing out.  
Install 4 M8x45 bolts



**6 Re-install End Cap**

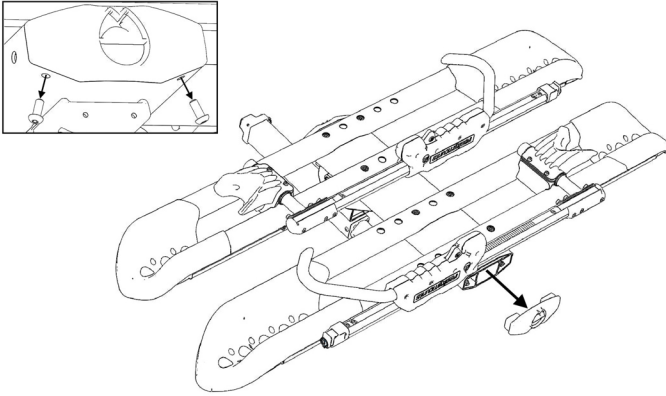
Re-install end cap onto spine



START HERE: **4-BIKE ASSEMBLY INSTRUCTIONS (PART 2)**

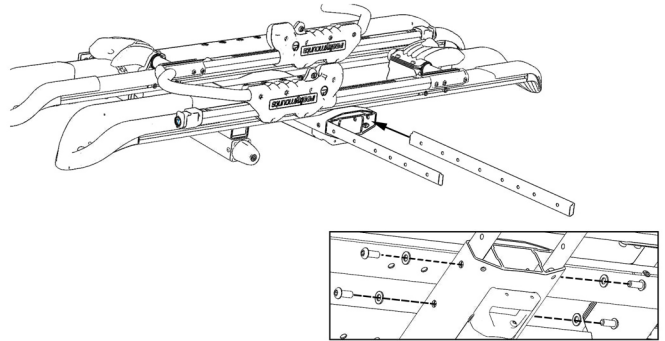
**1 Remove End Cap**

Remove end cap from main spine



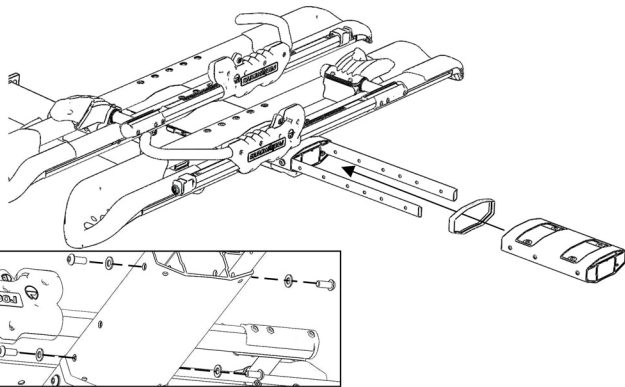
**2 Install bars**

Insert left and right bars into main spine. Align 4 bike mark with end of main spine. Install 4 M8x16 bolts and washers



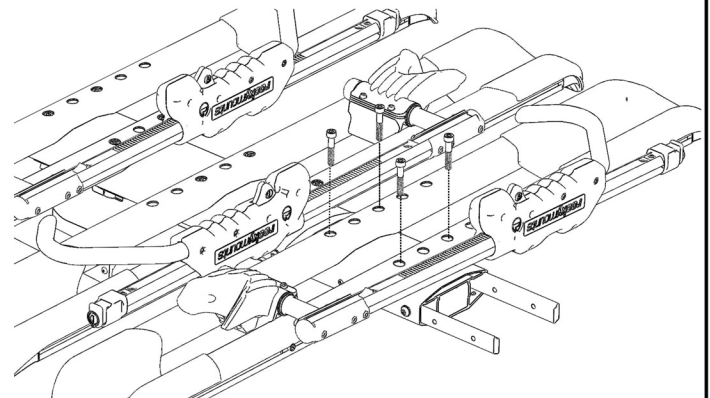
**3 Install 1st add-on**

Fit gasket onto main spine followed by add-on spine (two holes inside). Install 4 M8x16 bolts and washers.



**4 Install 1st add-on**

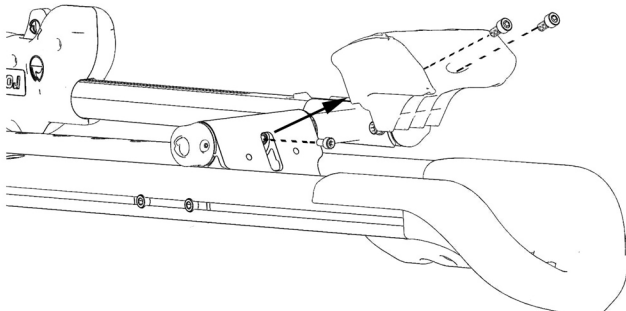
Load wheel tray with load arm facing out. Install four bolts



**2nd ADD-ON INSTRUCTIONS**

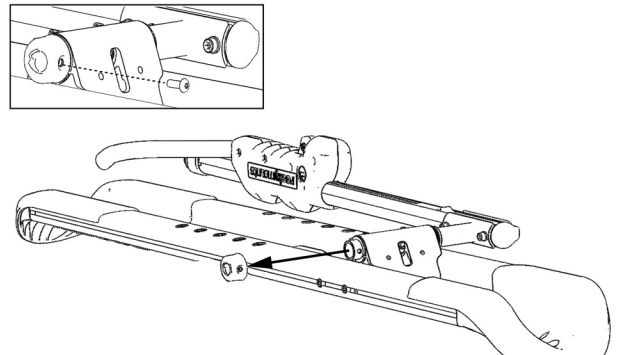
**5 Remove Stop Bolt**

Remove back stop then stop bolt with 5mm wrench



**6 Remove Cap**

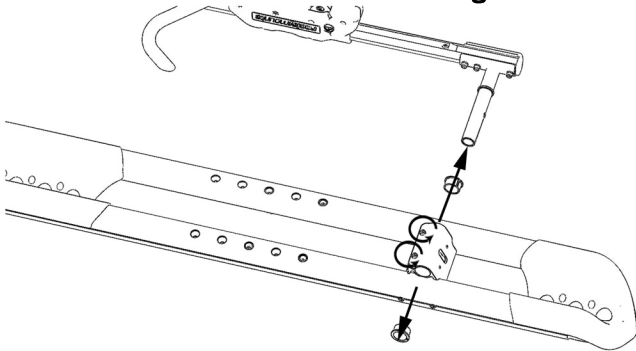
Remove screw and cap using a Phillips head screwdriver



## 4-BIKE ASSEMBLY INSTRUCTIONS (PART 2 CONTINUED)

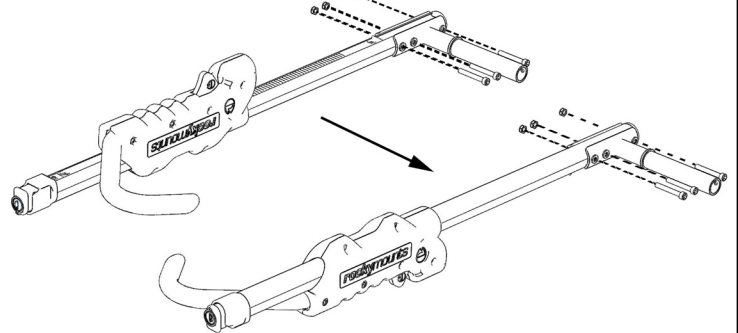
### 7 Remove Load Arm

Loosen 2 tension bolts with 4mm wrench. Remove load arm with 2 bearings



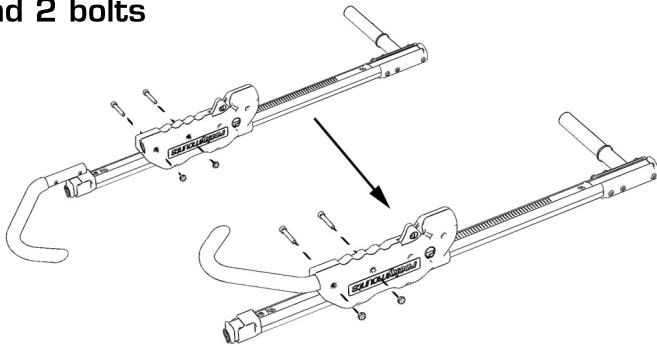
### 8 Flip Load Arm

Remove 3 bolts with 4mm wrench. Flip load arm 180°. Re-install bolts



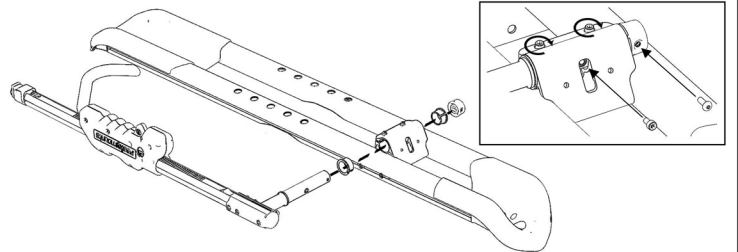
### 9 Flip Hook

Remove 2 bolts with 5mm wrench. Remove hook and flip 180 degrees. Reinstall hook and 2 bolts



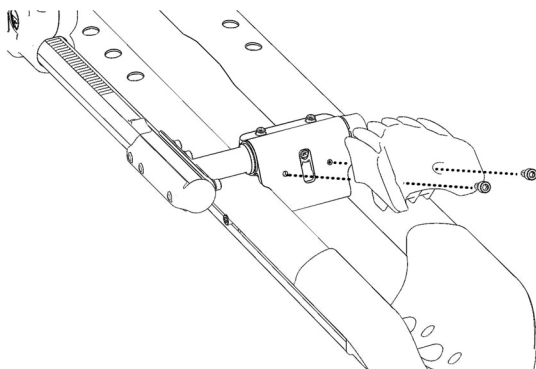
### 10 Reinstall Load Arm

Reinstall load arm on opposite side with 2 bearings. Reinstall the cap and screw. Reinstall stop bolt and tighten pivot bolts



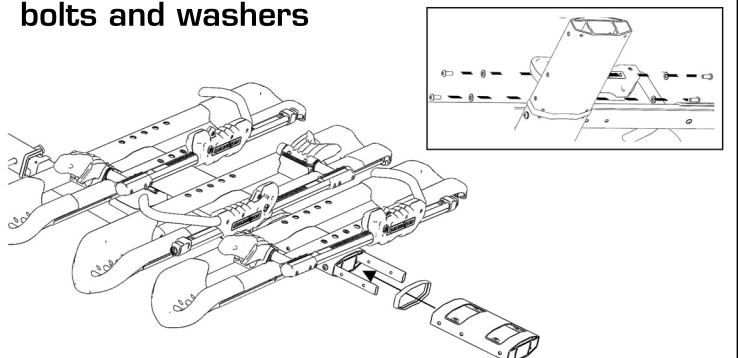
### 11 Re-install Back Stop

Re-install back stop



### 12 Install 2nd Add-on

Fit gasket onto spine followed by 2nd add-on spine (holes on inside). Install 4 bolts and washers

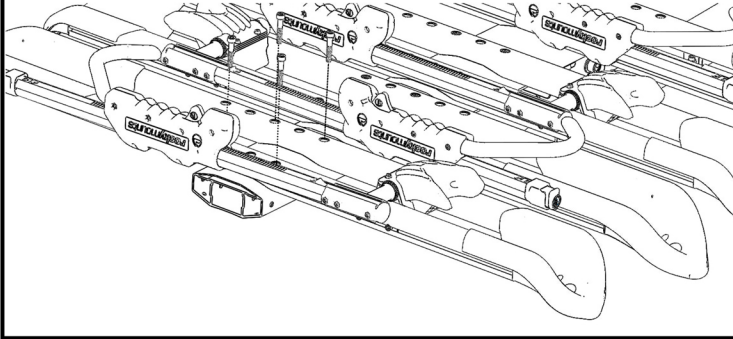




## 4-BIKE ASSEMBLY INSTRUCTIONS (PART 2 CONTINUED)

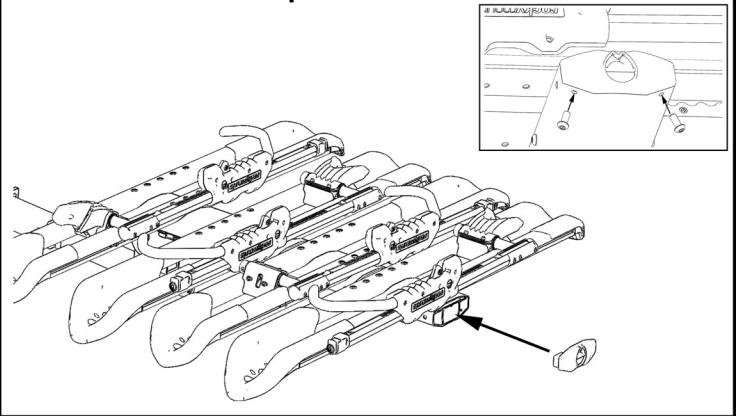
### 13 Install Wheel Tray

Load 2nd add-on wheel tray with load arm facing out, install 4 bolts



### 14 Re-install End Cap

Re-install end cap



**NOTE:** In the 4-bike configuration you will have the following extra parts

1x Spine Spacer, 1x Left Bar, 1x Right Bar, 2x Gaskets, 8x M8x 16 Bolts, 8x M8 Washers.

## Warnings

Not compatible with 1.25" SplitRail.  
Do not use with Class 1 hitches.  
Remove Baby Seats, Panniers, U-Locks, or items that could detach from the bicycle.  
Do not use bicycle covers, bicycle bras, or bikes equipped with rear disc wheel.  
Not intended for off road use. Not intended for use on trailers or towed vehicles.  
Locks are only deterrents to thieves, RockyMounts, Inc. cannot be held liable for stolen bicycles.  
Remove rack before entering a car wash.  
Check all fastenings (nuts, bolts, and straps) before each use.  
Once a year, remove rack from car. Clean and inspect for damage.

## Lifetime Warranty

Thank you for purchasing a RockyMounts™ product. We take pride in providing a great customer experience and manufacturing products that enable our customers to get their gear to their next colorful adventure.

As of January 1, 2014, RockyMounts™ products are covered for life to the original purchaser when used in accordance with the instruction manuals' assembly, installation and use guidelines.

If you feel something broke before it's time; please email us at [ride@rockymounts.com](mailto:ride@rockymounts.com) or call us at 800.873.1871. For the most efficient service, email a digital photo (we need this photo to verify the problem) of the product in questions, a brief description of the situation, and your purchase receipt. Our techs will respond within one business day. Most of the time we'll replace the part in question, but we may ask for more details.

RockyMounts, Inc. warranty only covers RockyMounts, Inc. products. It does not cover theft, or damage to vehicles and/or equipment.

All products purchased prior to Jan 1, 2014 are covered by a one-year warranty; see your product manual for details.