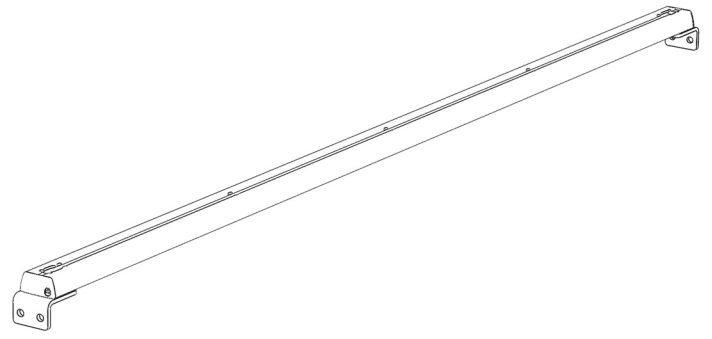




**rockymounts**  
**60" Track**  
for Honda Ridgeline (2017)



## Guidelines

- Maximum weight: 60 lb
- Compatible with RockyMounts DriveShaft, HotRod and LoBall series bike mounts
- After loading bicycles, shake forks side to side to ensure assembly is tight and secure
- Not intended for towing purposes
- Not intended for offroad use

## Parts Included

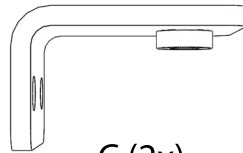
- |                         |                         |                         |
|-------------------------|-------------------------|-------------------------|
| A: 60" track            | F: T50 Torx Wrench      | K: T30 Torx Wrench      |
| B: End Cap              | G: T45 Torx Wrench      | L: M6x18 SHCS Torx Bolt |
| C: Mounting Bracket     | H: M6x30 SHCS Torx Bolt | M: Track Plate          |
| D: M8x16 SHCS Torx Bolt | I: M6 Flat Washer       |                         |
| E: M8 Flat Washer       | J: M6 Nyloc Nut         |                         |



A (1x)



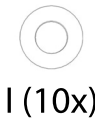
B (2x)



C (2x)



H (5x)



I (10x)



J (5x)



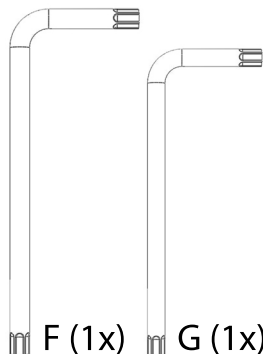
K (1x)



D (2x)



E (2x)

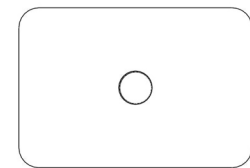


F (1x)

G (1x)



L (4x)



M (4x)

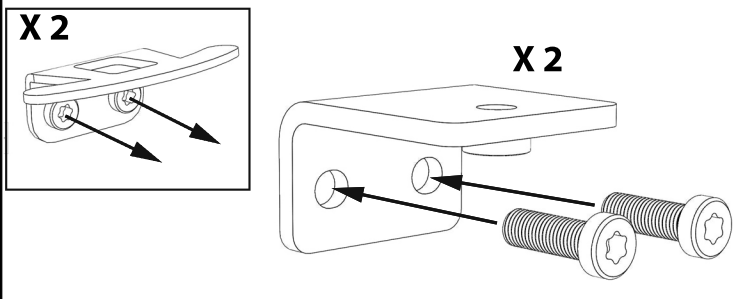


I (4x)

## Assembly Instructions

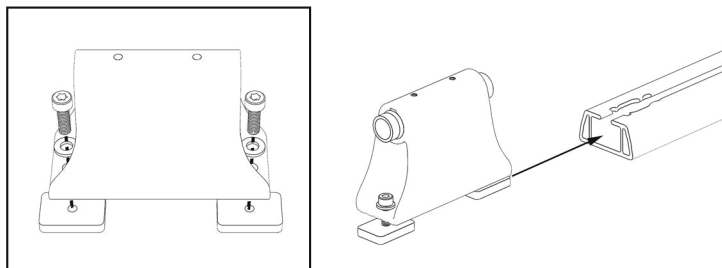
### 1 Install Mounting Brackets

Unscrew two M8 bolts on each factory tie down cleat using T50 torx wrench. Reinstall M8 bolts with RockyMounts mounting brackets



### 2 Install Bike Mounts

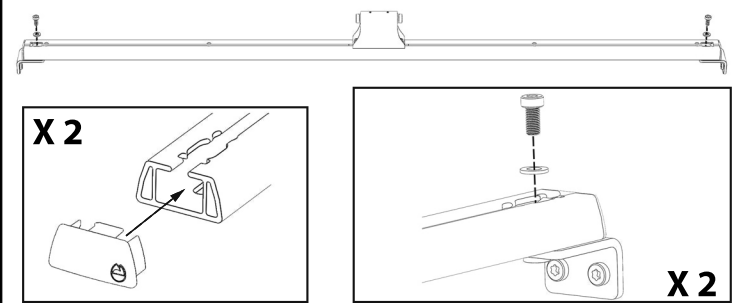
Loosely install one M6x18 bolt, one M6 washer and one plate for each hole on bike mount. Slide bike mount onto 60" track



\*HotRod, LoBall, LoBall Locking & DriveShaft HM recommended

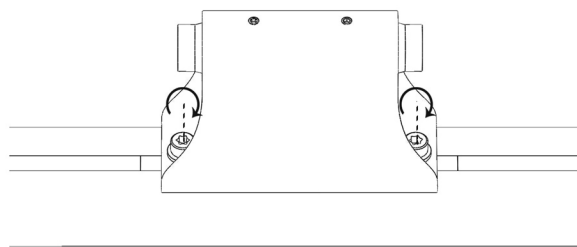
### 3 Install Track

Press in two end caps onto track until click in place. Align holes on track and brackets, install an M8x16 bolt with an M8 washer on each side using T45 torx wrench



### 4 Tighten Bike Mounts

Tighten all bolts on bike mounts. Bike mounts should be secure and not move after tightened



## Warnings

- Remove Baby Seats, Panniers, U-Locks, or items that could detach from the bicycle.
- Check all fastenings before each use.
- Remove bikes before entering a car wash.
- Once a year, remove rack from car. Clean and inspect for damage.

## Lifetime Warranty

Thank you for purchasing a RockyMounts product. We take pride in providing a great customer experience and manufacturing products that enable our customers to get their gear to their next colorful adventure.

As of January 1, 2014, RockyMounts products are covered for life to the original purchaser when used in accordance with the instruction manuals' assembly, installation and use guidelines.

If you feel something broke before it's time; please email us at [ride@rockymounts.com](mailto:ride@rockymounts.com) or call us at 800.873.1871. For the most efficient service, email a digital photo (we need this photo to verify the problem) of the product in questions, a brief description of the situation, and your purchase receipt. Our techs will respond within one business day. Most of the time we'll replace the part in question, but we may ask for more details.

RockyMounts, Inc. warranty only covers RockyMounts, Inc. products. It does not cover theft, or damage to vehicles and/or equipment. All products purchased prior to Jan 1, 2014 are covered by a one-year warranty; see your product manual for details.