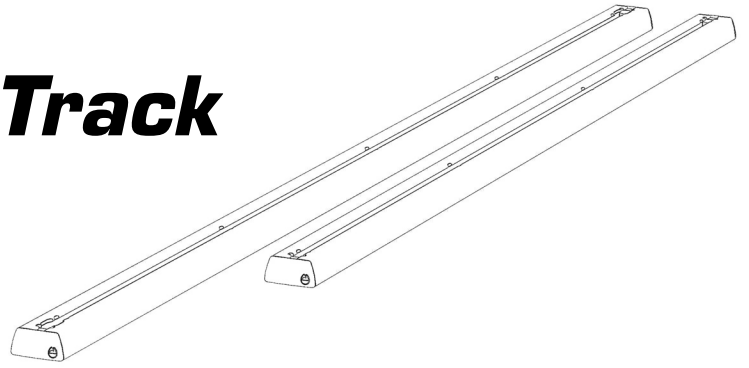




rockymounts™

Truck Bed Track

for hard mounting



Guidelines

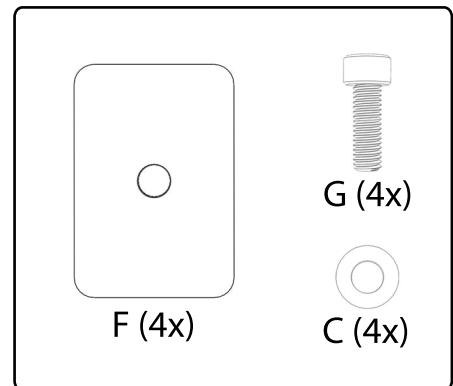
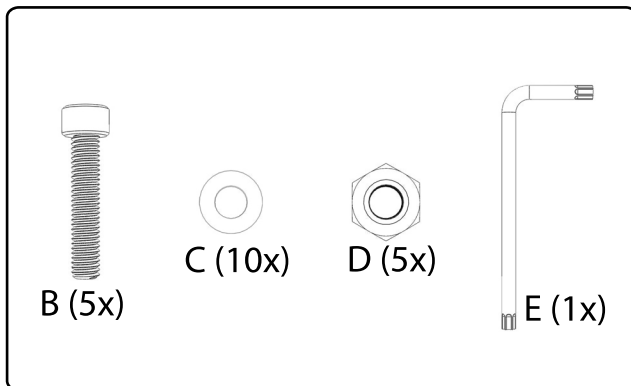
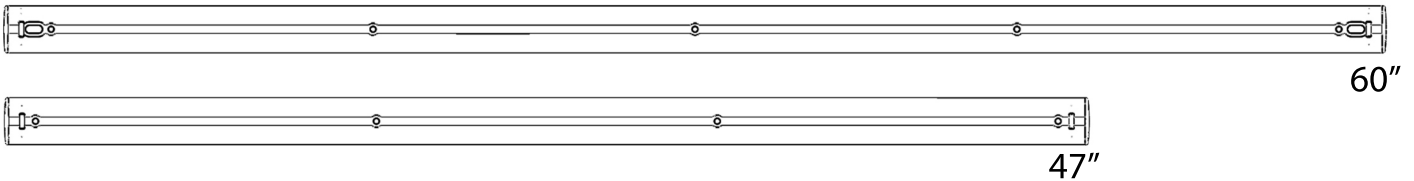
- Compatible with RockyMounts™ DriveShaft, HotRod and LoBall series bike mounts
- After loading a bicycle, shake fork side to side to ensure assembly is tight and secure
- Not recommended for use on trailers
- Not intended for offroad use
- Max weight: 60lb per bike

Parts Included

A: Track: 60" or 47"
B: M6x30 SHCS Torx Bolt
C: M6 Flat Washer
D: M6 Hex Nut

E: T30 Torx Wrench
F: Track Plate
G: M6x18 SHCS Torx Bolt

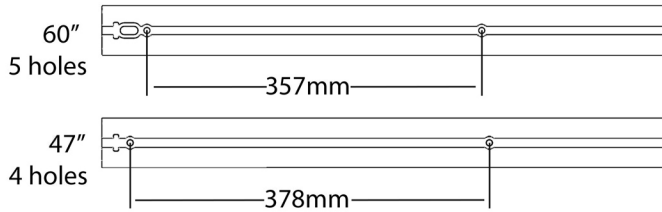
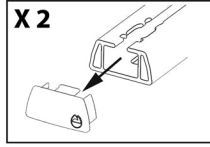
A (1x)



Assembly Instructions

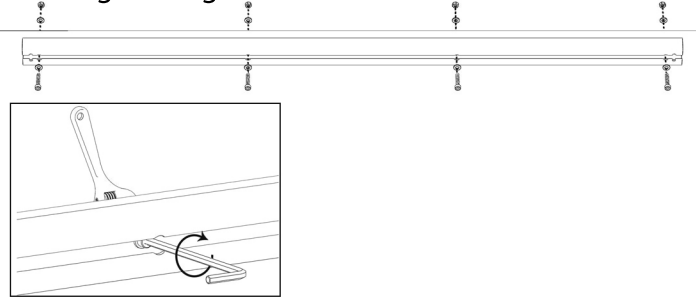
1 Drill Mounting Holes

Press tabs on endcaps and pull out. Place track on desired mounting location and mark holes. Drill mounting holes using a 1/4" drill bit



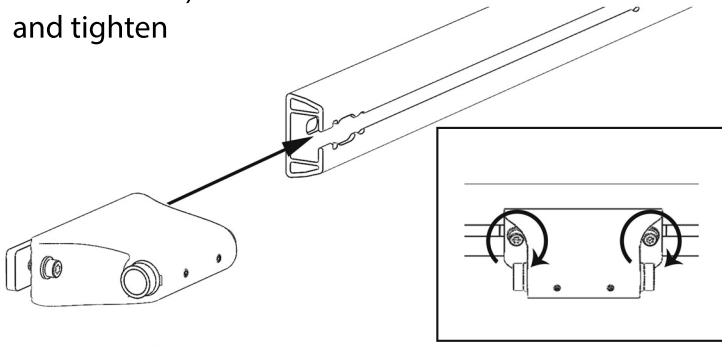
2 Install Track

Align holes on track and truck bed, install one M6x30 bolt, one M6 nut and two M6 washers for each mounting hole. Use a wrench to secure the M6 nut when tightening M6 bolt



3 Install Bike Mount¹

Loosely install track hardware² onto bike mount. (Use one M6x18 bolt, one M6 washer and one track plate for each hole) Slide bike mount onto track. Position and tighten

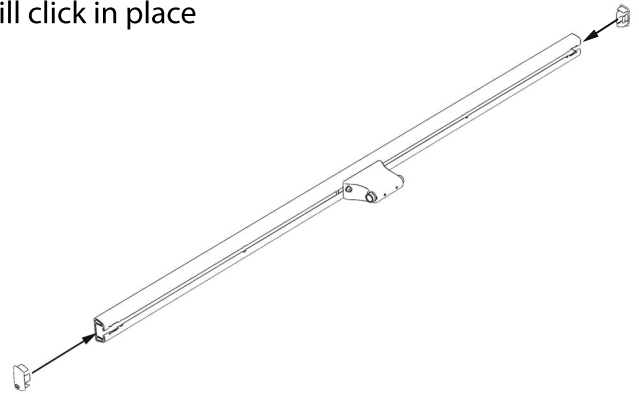


1. Bike mounts not included. RockyMounts™ HotRod, LoBall, LoBall Locking & DriveShaft™ HM recommended for Horizontal applications. DriveShaft Track recommended for vertical applications

2. Track hardware provided: M6x18 Bolt (x4), M6 Flat Washer (x4), Track Plate (x4)

4 Reinstall End Caps

Slide the end caps onto the ends of the track. End caps will click in place



Warnings

Remove Baby Seats, Panniers, U-Locks, or items that could detach from the bicycle.

Once a year, remove track from car. Clean and inspect for damage.

Check all fastenings before each use.

Remove bikes before entering a car wash.

Lifetime Warranty

Thank you for purchasing a RockyMounts™ product. We take pride in providing a great customer experience and manufacturing products that enable our customers to get their gear to their next colorful adventure.

As of January 1, 2014, RockyMounts™ products are covered for life to the original purchaser when used in accordance with the instruction manuals' assembly, installation and use guidelines.

If you feel something broke before it's time; please email us at ride@rockymounts.com or call us at 800.873.1871. For the most efficient service, email a digital photo (we need this photo to verify the problem) of the product in questions, a brief description of the situation, and your purchase receipt. Our techs will respond within one business day. Most of the time we'll replace the part in question, but we may ask for more details.

RockyMounts, Inc. warranty only covers RockyMounts, Inc. products. It does not cover theft, or damage to vehicles and/or equipment.

All products purchased prior to Jan 1, 2014 are covered by a one-year warranty; see your product manual for details.