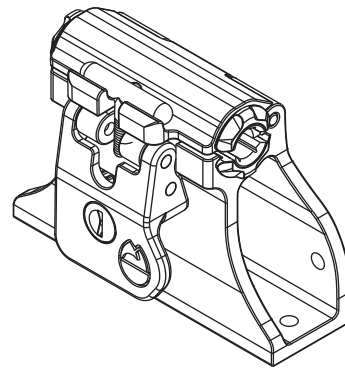




rockymounts DropTop

51210_REV_A



Guidelines

- Maximum weight: 35lbs (16kgs) per bike
- Compatible with 12mm & 15mm thru axles (up to 110mm wide) only; quick release forks can be mounted with 9mm dummy axle (sold separately)
- Not for use with tandem bicycles
- After loading a bicycle, shake fork side to side to ensure assembly is tight and secure

Parts Included

A: DropTop Body

B: T30 Torx Key

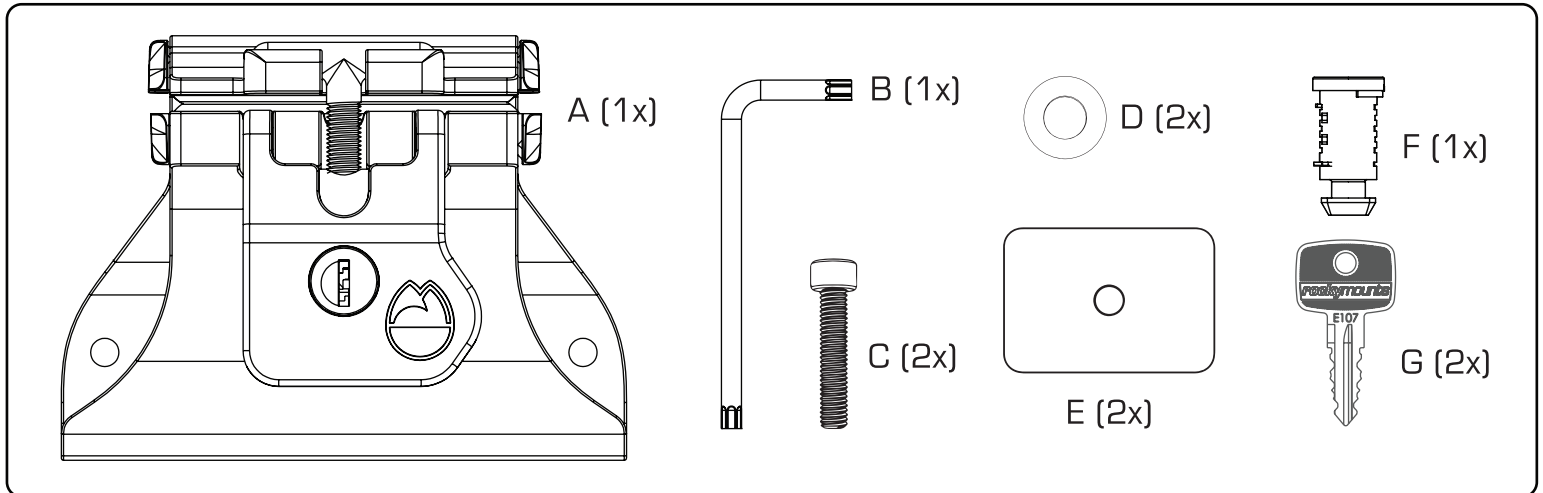
C: M6 x 30 SHCS Torx Bolt

D: M6 Flat Washer

E: Track Plate

F: Lock Core

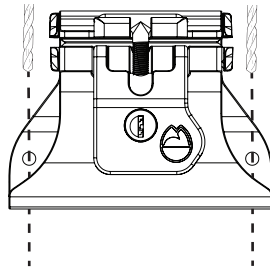
G: Key



1 Install Body

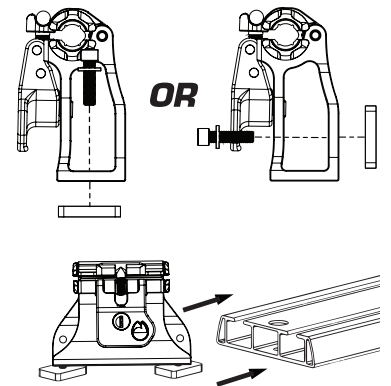
For Hard Mounting

Using body as a template, mark locations and drill holes on mounting surface (Holes for M6 or 1/4" hardware and are spaced at 110mm for both mounting orientations). Install mount onto surface using appropriate fasteners.



For Track Mounting

Loosely install the included M6 x 30 Torx Bolt (utilizing either the vertical or horizontal mounting holes depending on orientation of mount) with a Flat Washer and a Track Plate onto the mount. Slide the mount along with the track hardware into desired position and tighten both bolts with the T30 Torx Key.

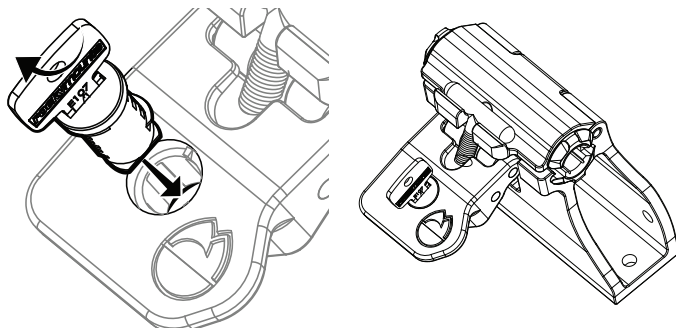


Read all warnings on last page before use. **rockymounts™**

Assembly Instructions Cont.

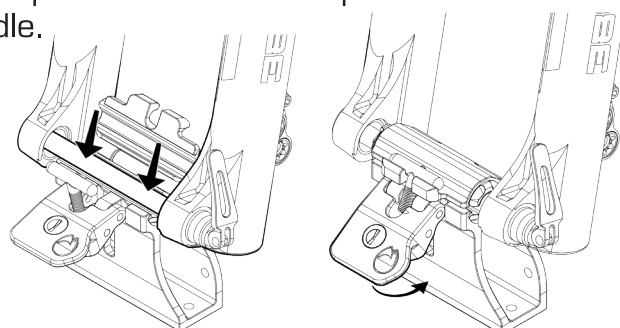
2 Install Lock Core

Insert key into core. Line up the protruding retaining wafer between the indicator tabs on the handle and insert lock core.



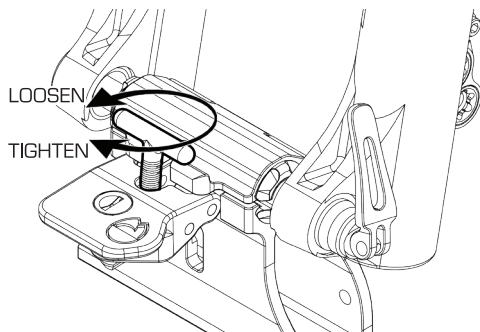
3 Load Bicycle

Remove front wheel and reinstall axle. Open DropTop, load axle into clamp and close the top cap. Rotate T-bolt into place and close handle.



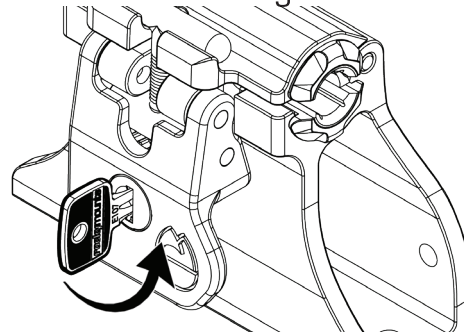
4 Adjusting T-Bolt

Handle should close with some force. If too tight or too loose, open handle and adjust T-bolt until handle closes with desired tension.



5 Secure Bicycle

After bicycle is securely mounted, insert key and turn to lock handle. Shake fork side to side to ensure secure mounting.



Warnings

- Remove baby seats, panniers, U-locks, or items that could detach from the bicycle
- Check all fasteners before each use and periodically lubricate T-bolt
- If mounted externally, remove bicycles before entering car wash
- Once a year, remove from car to clean and inspect for damage or rusting
- RockyMounts™, Inc. cannot be held liable for stolen bicycles

Limited Lifetime Warranty

At RockyMounts we offer a Limited Lifetime Warranty for products purchased after January 1, 2014 to the original owner. For details of the Warranty, guidelines, and how to make a claim please see rockymounts.com/warranty

Technical Support

Please call us at 303-402-0190 or email at ride@rockymounts.com for questions regarding use, assembly, and support

Read all warnings on last page before use. **rockymounts™**