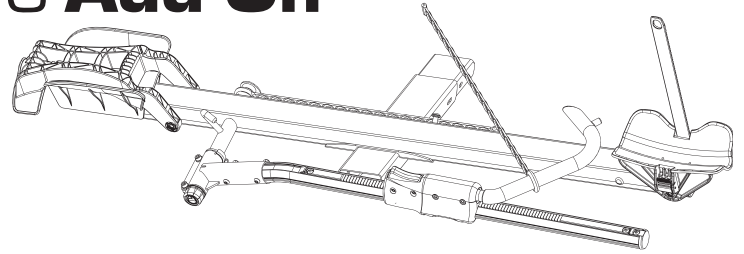




rockymounts™

51336_REV_B

HighNoon FC Add-On

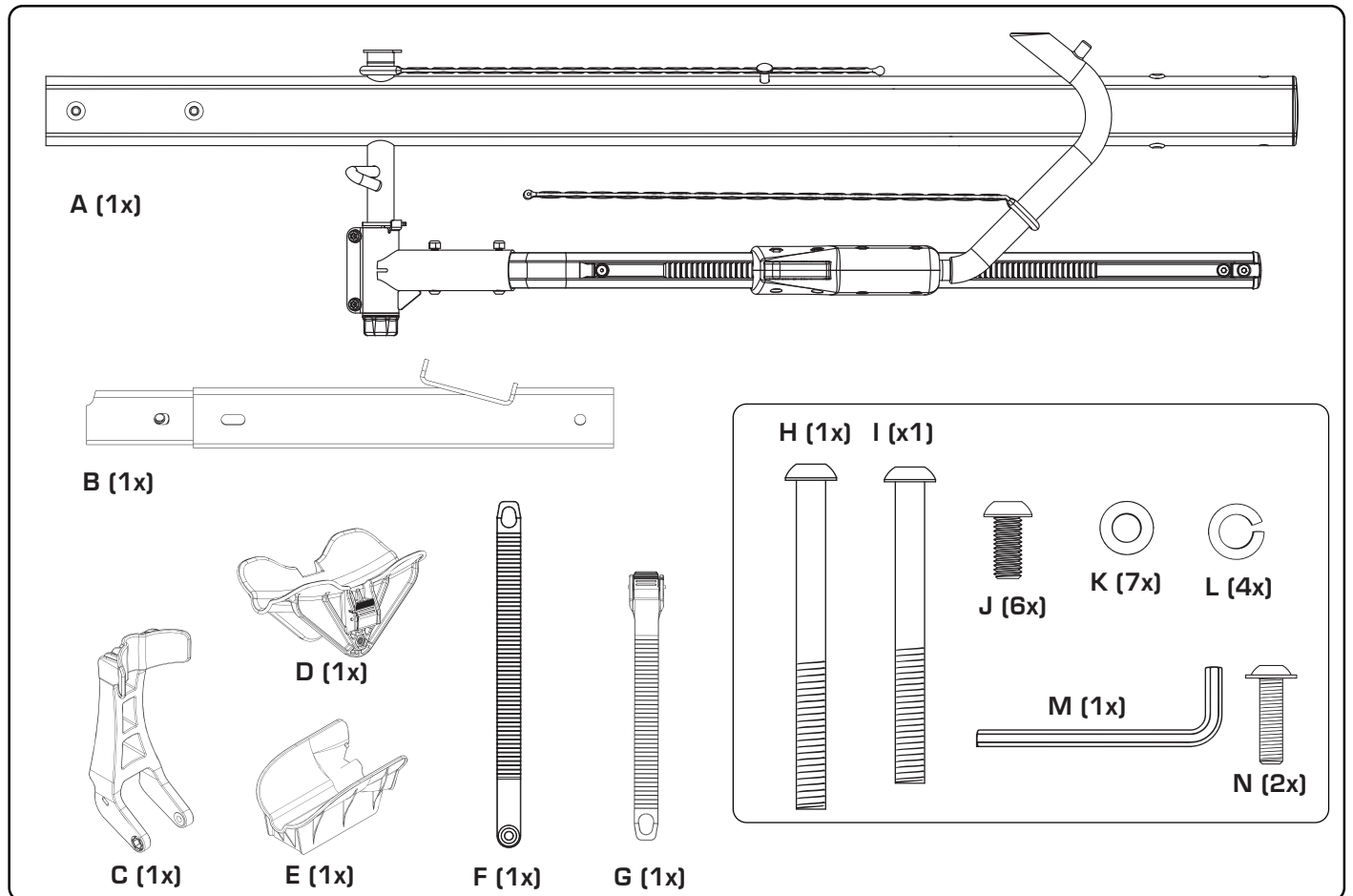


Guidelines

- Using the HighNoon Add-On reduces the max weight per bike to 45lbs (20kg) each
- Tire width 19mm road bike tires - 5.0" mountain bike tires
- Wheel Diameter: 20" - 29"
- Wheelbase: 33" - 52" (690mm - 1300mm)
- Remove Baby Seats, Panniers, U-Locks, or items that could detach from the bicycle before use
- No kick bikes, recumbents, mopeds, scooters, pennyfarthings, or tandems
- Only compatible with HighNoon 2" & HighNoon SOLO
- **NOT COMPATIBLE WITH HIGHNOON 1.25" OR BOOTLEG**

Parts Included

- | | | |
|------------------------|--------------------------|---------------------------|
| A: Wheel tray A | F: Wheel strap | K: M8 Flat washer |
| B: HighNoon Solo Spine | G: Wheel strap extension | L: M8 Split washer |
| C: Back stop | H: M8 x 90mm BHCS bolt | M: 5mm Allen wrench |
| D: Rear wheel cup | I: M8 x 85mm BHCS bolt | N: M8 x 30mm flanged bolt |
| E: Front wheel cup | J: M8 x 16mm BHCS bolt | |

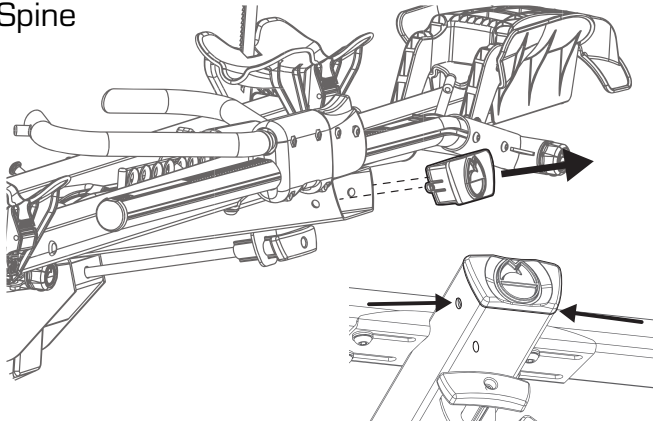


Read all warnings on last page before use.

rockymounts™

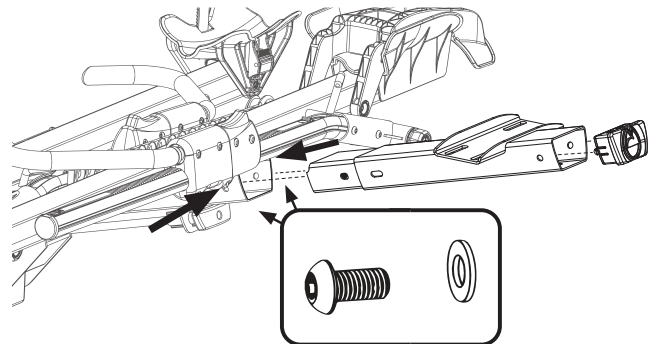
1 Remove End Cap

Depress tabs and pull end cap out of HighNoon Spine



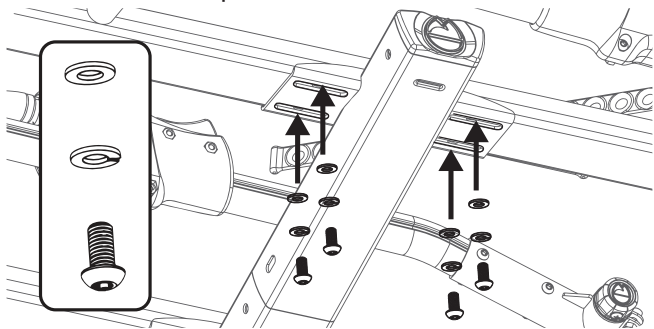
2 Install Add-On Spine

Insert add-on spine into main spine. Install two M8x16 bolts with two flat washers. Reinstall end cap into add-on spine



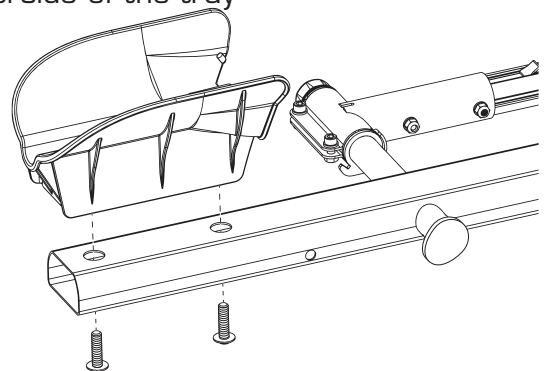
3 Install Wheel Tray

Place wheel tray on the add-on spine with the load arm facing away from vehicle. Install four M8x16 bolts with M8 washers through slots under add-on spine



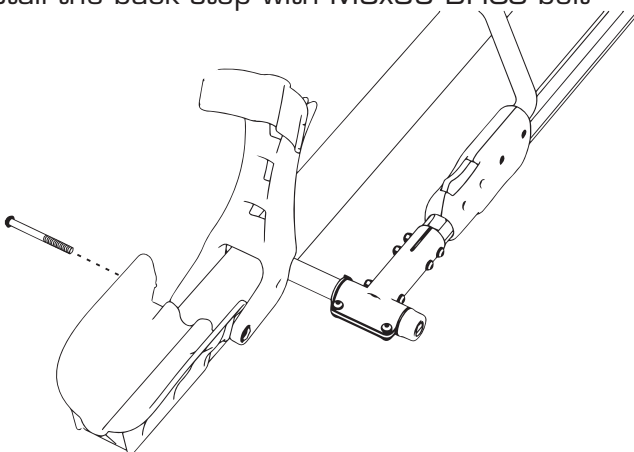
4 Install Front Wheel cup

Push the front wheel cup onto the tray and screw in the two M8x30 flanged screws from the underside of the tray



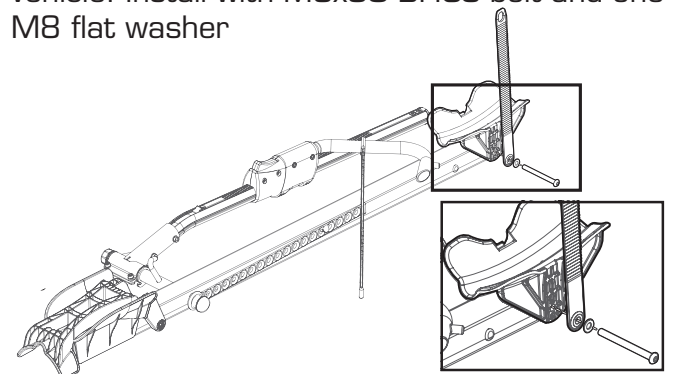
5 Install Wheel Back Stop

Install the back stop with M8x85 BHCS bolt



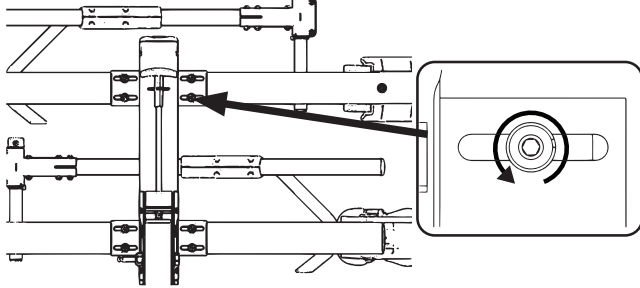
6 Install Rear Wheel Cup

Align holes on the wheel cup, tray, and wheel strap. Make sure the buckle faces away from vehicle. Install with M8x90 BHCS bolt and one M8 flat washer

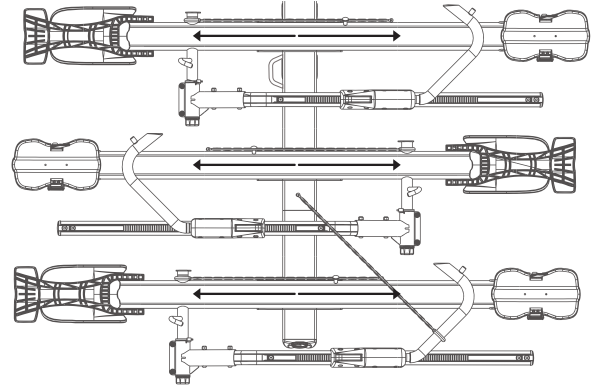


Rack Adjustability**1 Loosen Bolts**

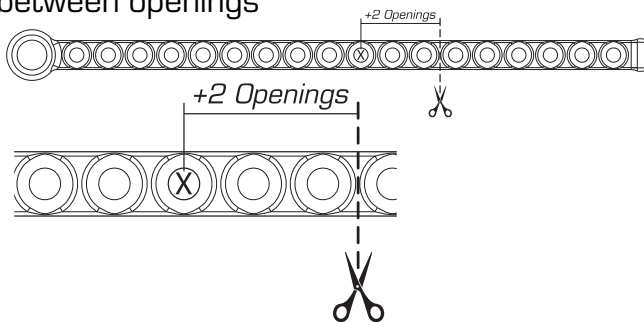
Trays can be adjusted side-to-side to avoid handlebar interference. Remove bikes and fold rack to stowed position. Loosen eight M8 bolts on bottom of spine

**2 Adjust Trays**

Slide trays as much as needed and re-tighten all eight M8 bolts

**Trimming Excess Strap****1 Shorten Strap**

Measure and find desired strap length (**X**). We suggest +2 additional loops from your chosen length. Then carefully cut strap between openings



Warnings

- If a hitch extension is needed, only anti-wobble hitch extensions by RockyMounts should be used with this product
- Remove Baby Seats, Panniers, U-Locks, or items that could detach from the bicycle
- Do not use bicycle covers, bicycle bras, or bicycles equipped with aero disc wheel(s)
- Not intended for off road use or with trailers, towed vehicles, 1 ton pickups, RV's, or UHV/UTVs
- Bikes and rack can partially block license plate and/or taillights. Please check and adjust accordingly
- Check the car exhaust is not pointing at the rack, bike tires, or rims. Some vehicles may require exhaust diversion to avoid damage
- Do not transport bikes with flat or leaking front tires. Front tire must be inflated for secure transport
- Hitch receivers require a minimum of Class II, III, IV rating and 1.5" (38mm) distance from hitch pin hole to end of receiver
- Locks are only deterrents for thieves, RockyMounts™ Inc. Cannot be held liable for stolen bicycles
- Check All Fasteners Before Each Use
- Remove Bikes and Rack Before Entering Car Wash, hand washing rack is OK
- Once a Year, Remove From Car to Clean and Inspect for Damage
- Wheel Straps are subjected to age, wear and deterioration - It is the responsibility of the Owner/User to evaluate and replace straps when needed.

Limited Lifetime Warranty

At RockyMounts we offer a Limited Lifetime Warranty for products purchased after January 1, 2014 to the original owner. For details of warranty, guidelines, and how to make a claim; please see rockymounts.com/warranty

Technical Support

Please call us at 303-402-0190 or email ride@rockymounts.com for questions regarding use, assembly, and support