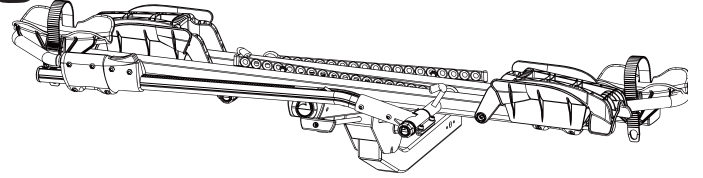




rockymounts™
HighNoon FC

51319_REV_6

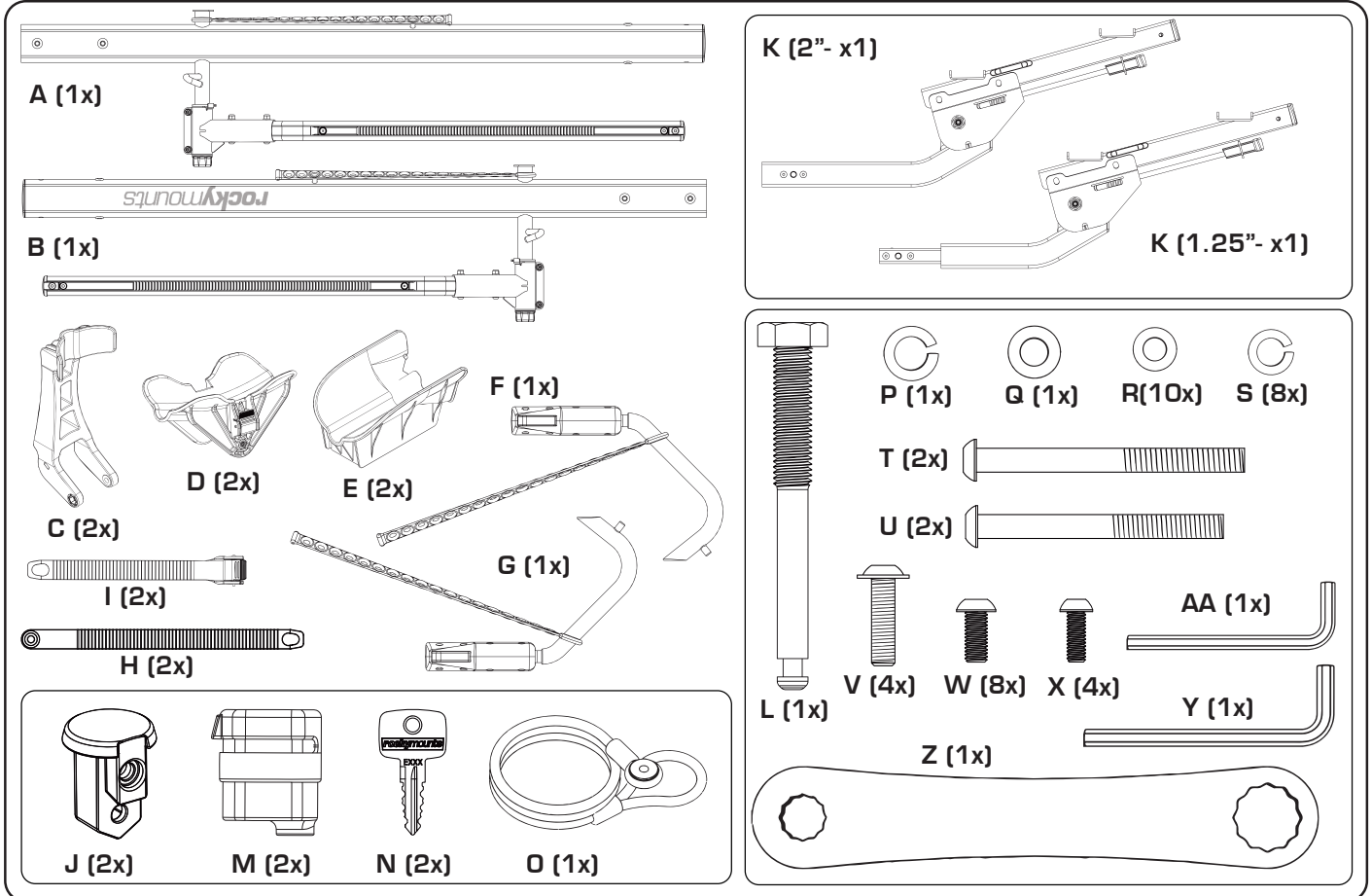


Guidelines

- Carries 2 bikes, up to 60lbs (27kg) each [120lbs (54kg) total]; up to 45lbs (20kg) [135lbs (61kg) with Add-On (2" version only)]
- Tire width 19mm road bike tires - 5.0" mountain bike tires
- Wheel Diameter: 20" - 29"
- Wheelbase: 33" - 52" (690mm - 1300mm)
- Remove Baby Seats, Panniers, U-Locks, or items that could detach from the bicycle before use
- No kick bikes, recumbents, mopeds, scooters, pennyfarthings, or tandems
- HighNoon 1.25" is **NOT** compatible with Add-On

Parts Included

A: Wheel tray A	H: Wheel strap	O: Lock cable	V: M8 x 30mm flanged bolt
B: Wheel tray B	I: Wheel strap extension	P: M12 Split washer	W: M8 x16mm BHCS bolt
C: Back stop	J: Load arm end cap	Q: M12 Flat washer	X: M6 x 16mm BHCS
D: Rear wheel cup	K: Base (1.25" or 2")	R: M8 Flat washer	Y: 5mm Allen wrench
E: Front wheel cup	L: Hitch Pin	S: M8 Split washer	Z: 19mm Wrench
F: Wheel hook A	M: Lock pod	T: M8 x 90mm BHCS bolt	AA : 4mm Allen wrench
G: Wheel hook B	N: Key	U: M8 x 85mm BHCS bolt	

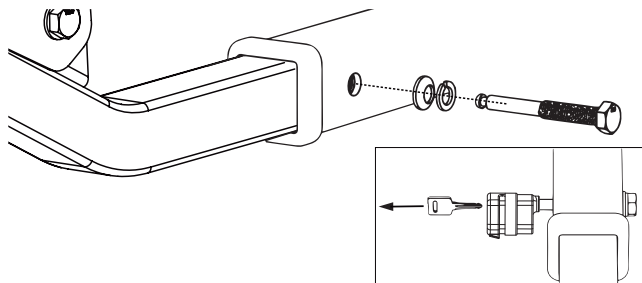


Read all warnings on last page before use.

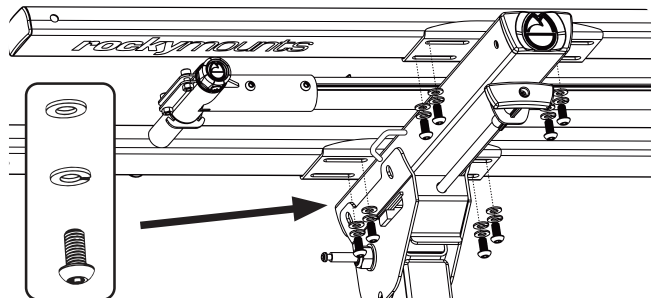


Assembly Instructions**1 Install Base**

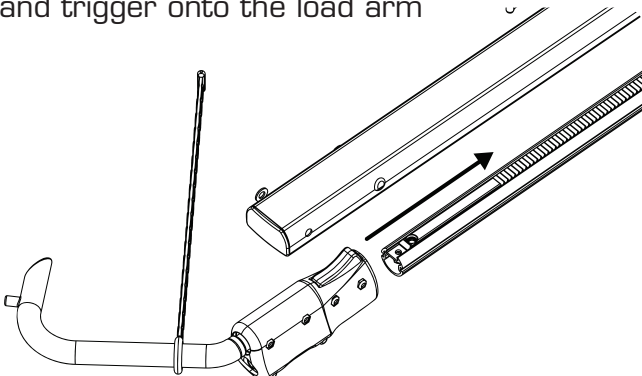
Insert hitch tube into vehicle hitch receiver and align holes. Use 19mm wrench, install the hitch pin with a M12 split washer and M12 flat washer. Lock hitch pin with lock pod.

**2 Install Wheel Trays**

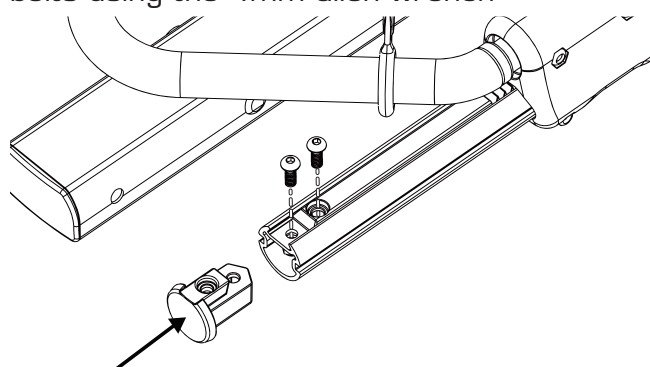
Place two wheel trays on base. Loosely install eight M8x16 bolts with split and flat washers. Position trays then securely tighten all bolts

**3 Install Hook and Trigger**

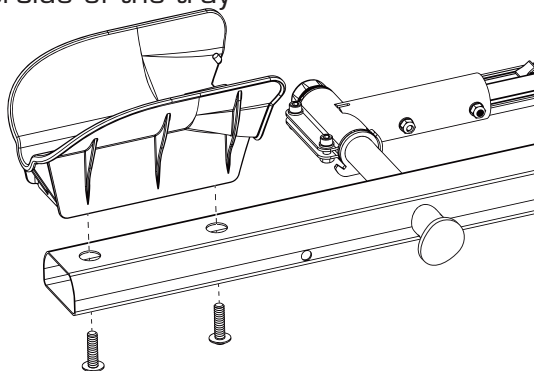
With the trigger facing upwards and the hook towards the tray, slide the wheel hook and trigger onto the load arm

**4 Install Load Arm End Caps**

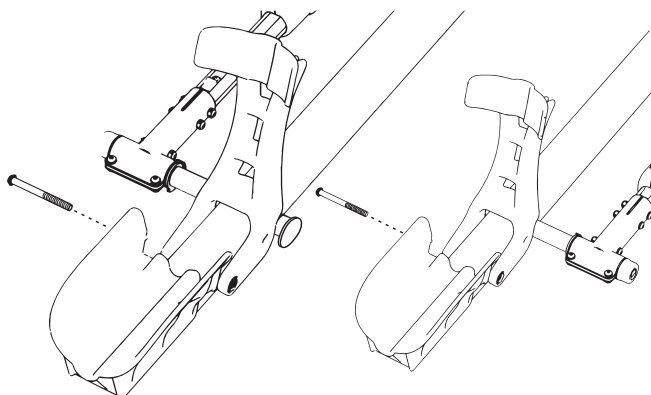
Slide the load arm end cap into the end of the load arm. Affix utilizing two M6x16 BHCS bolts using the 4mm allen wrench

**5 Install Front Wheel cups**

Push the front wheel cup onto the tray and screw in the two M8x30 flanged screws from the underside of the tray

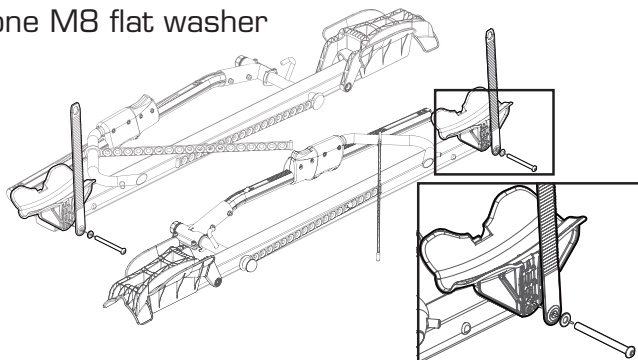
**6 Install Wheel Back Stops**

For both wheel trays, install the back stops with M8x85 BHCS bolts

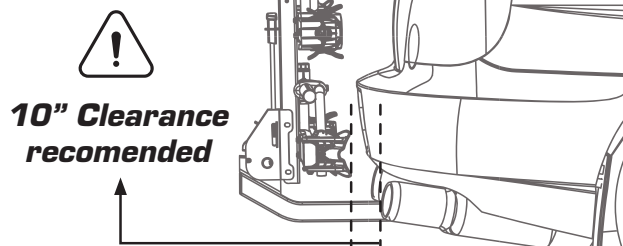
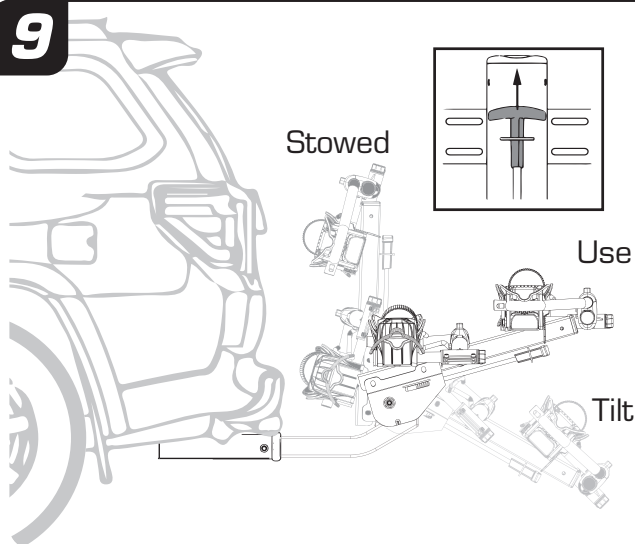


Assembly Instructions**7 Install Rear Wheel Cups**

Align holes on the wheel cup, tray, and wheel strap. Make sure the buckle faces away from vehicle. Install with M8x90 BHCS bolt and one M8 flat washer

**8 Check Exhaust Clearance**

Ensure there is adequate clearance between the exhaust and the plastic wheel trays. If the exhaust vents directly rearward we suggest a minimum of 10 inches between the tail pipe and the wheel cups

**9****Folding Rack**

Pull 'T' handle to raise or lower the rack into stow, use, and tilt position

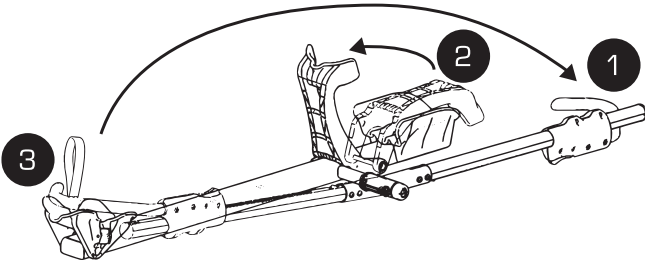
Rack can be folded into stow position when not in use and tilted down for rear vehicle access

Load arms should be stowed flat when rack is not in use

'T' handle should be fully seated before each use

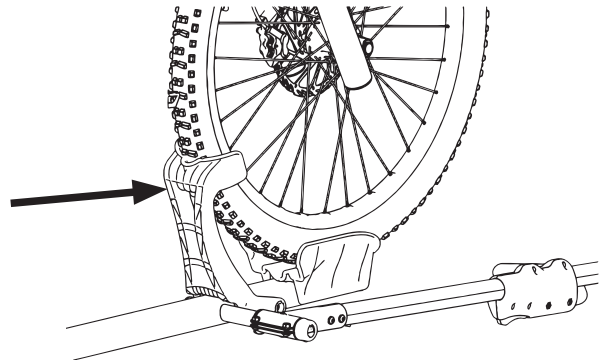
1 Prepare Wheel Tray

- 1 Rotate load arm 180 degrees from stowed position and fully extend the hook
- 2 Fold back stop into open position
- 3 Tuck the wheel strap into the wheel cup



2 Place Bike on Rack

Load heaviest bike on tray nearest to vehicle
Front wheel should be secure against the back stop



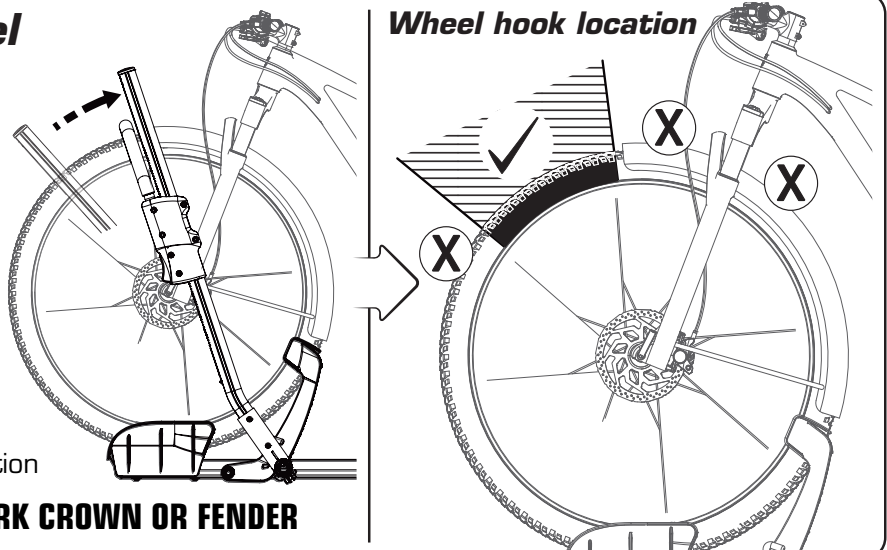
3 Secure Front Wheel

Rotate load arm over front wheel and tighten hook against the tire.

The load arm should be located as close to Fork or Fender, without contacting the Fork or Fender.

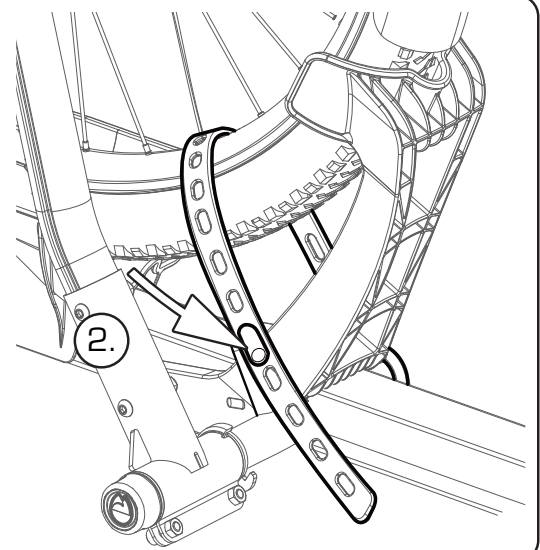
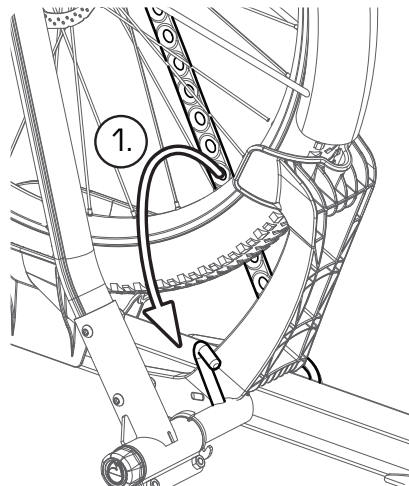
See image for correct wheel hook location

DO NOT CLAMP HOOK ON TOP OF FORK CROWN OR FENDER



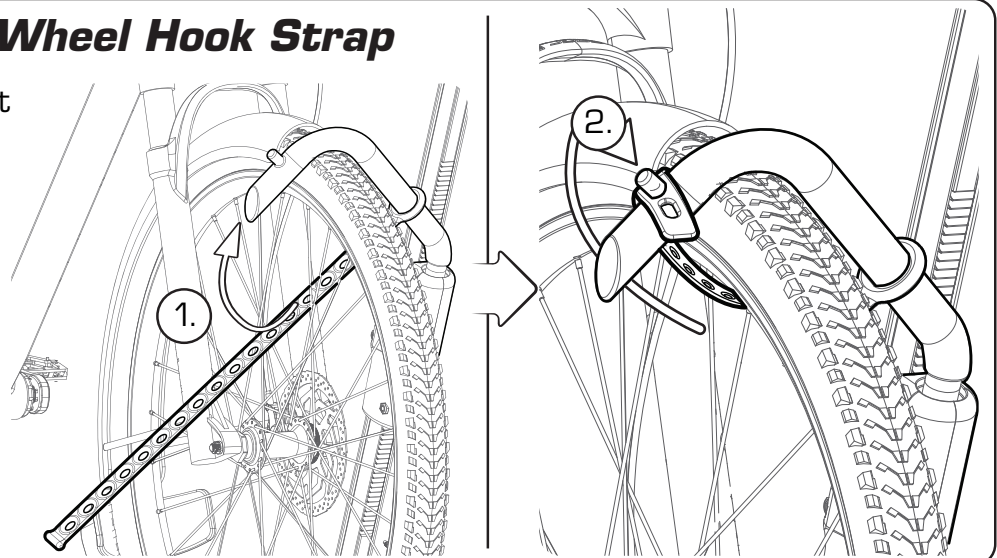
4 Secure Front Lower Strap

- 1 Feed strap through front wheel
- 2 Secure strap and hook over attachment point



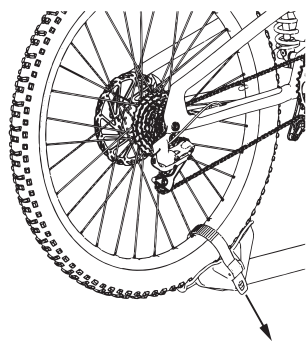
5 Secure Front Wheel Hook Strap

- ① Feed strap through front wheel
- ② Secure strap and hook over attachment point

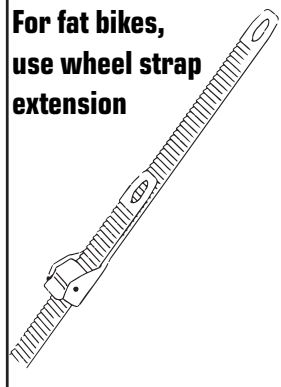


6 Secure Rear Wheel

Feed wheel strap through rear wheel and into buckle. **Pull Tight**

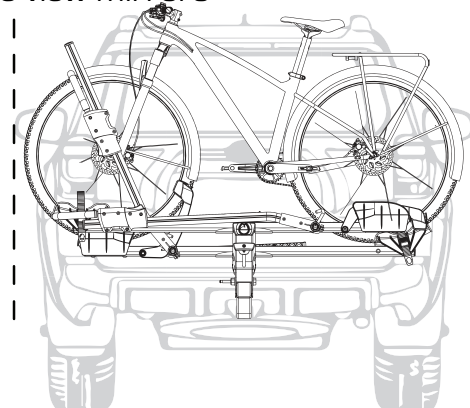


For fat bikes,
use wheel strap
extension



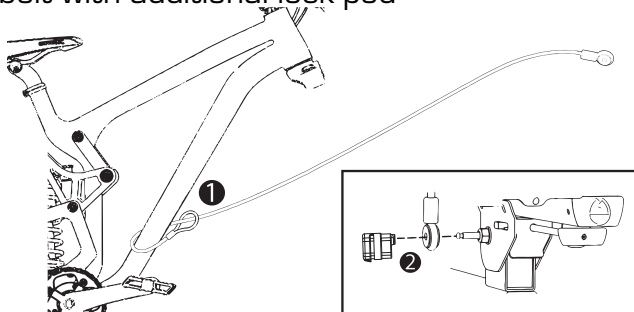
7 Check Mirrors

Be sure loaded bikes do not extent past width of side view mirrors



8 Locking Bike

Loop cable around inner bike frame and feed through outer bike frame. Lock cable to pivot bolt with additional lock pod

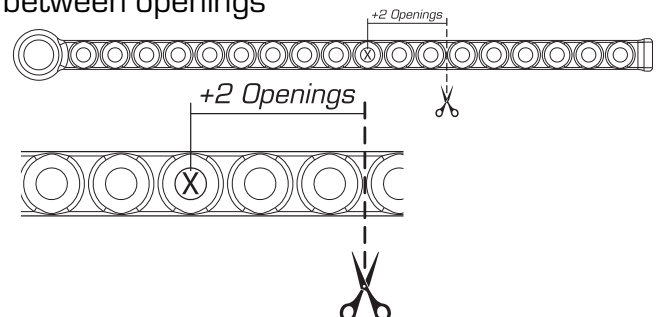


! DO NOT USE WHILE TRAVELING

Trimming Excess Strap

1 Shorten Strap

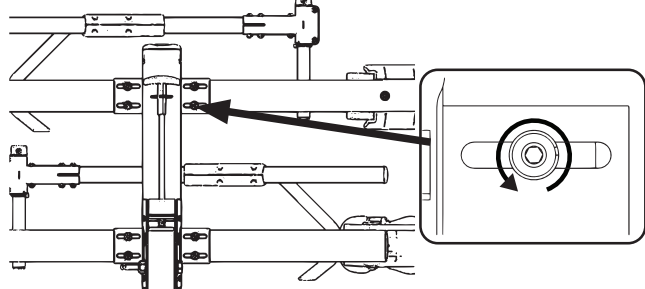
Measure and find desired strap length (**X**). We suggest +2 additional loops from your chosen length. Then carefully cut strap between openings



Rack Adjustability

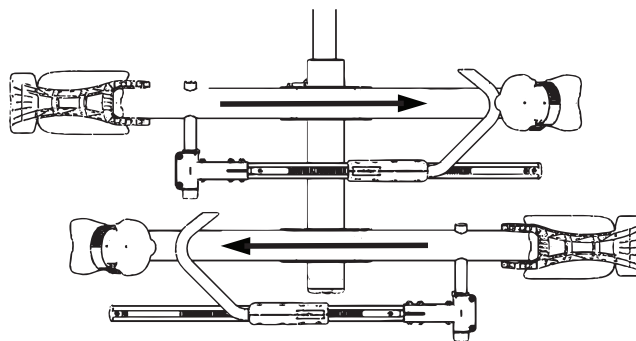
1 Loosen Bolts

Trays can be adjusted side-to-side to avoid handlebar interference. Remove bikes and fold rack to stowed position. Loosen eight M8 bolts on bottom of spine



2 Adjust Trays

Slide trays as much as needed and re-tighten all eight M8 bolts



Warnings

- If a hitch extension is needed, only anti-wobble hitch extensions by RockyMounts should be used with this product
- Remove Baby Seats, Panniers, U-Locks, or items that could detach from the bicycle
- Do not use bicycle covers, bicycle bras, or bicycles equipped with rear aero disc wheel(s)
- Not intended for off road use or with trailers, towed vehicles, 1 ton pickups, RV's, or UHV/UTVs
- Bikes and rack can partially block license plate and/or taillights. Please check and adjust accordingly
- Check the car exhaust is not pointing at the rack, bike tires, or rims. Some vehicles may require exhaust diversion to avoid damage
- Do not transport bikes with flat or leaking front tires. Front tire must be inflated for secure transport
- Hitch receivers require a minimum of Class II, III, IV rating and 1.5" (38mm) distance from hitch pin hole to end of receiver
- Locks are only deterrents for thieves, RockyMounts™ Inc. Cannot be held liable for stolen bicycles
- Check All Fasteners Before Each Use
- Remove Bikes and Rack Before Entering Car Wash, hand washing rack is OK
- Once a Year, Remove From Car to Clean and Inspect for Damage
- Wheel Straps are subjected to age, wear and deterioration - It is the responsibility of the Owner/User to evaluate and replace straps when needed.

Limited Lifetime Warranty

At RockyMounts we offer a Limited Lifetime Warranty for products purchased after January 1, 2014 to the original owner. For details of warranty, guidelines, and how to make a claim; please see rockymounts.com/warranty

Technical Support

Please call us at 303-402-0190 or email ride@rockymounts.com for questions regarding use, assembly, and support

Read all warnings on this page before use.

rockymounts™