

### Guidelines

- Carries 2 bikes, up to 60lbs (27kg) each (120lbs (54kg) total) ; up to 45lbs (20kg) [135lbs (61kg) total with Add-On (2" version only)
- Tire width 19mm road bike tires - 3.0" mountain bike tires
- Wheel Diameter: 20" - 29"
- Wheelbase: 36" - 55" (760mm - 1397mm)
- **Remove rear fenders, racks, and panniers before use**
- No kick bikes, recumbents, mopeds, scooters, penny farthings, or tandems
- GuideRail 1.25" is **NOT** compatible with Add-On

### Parts Included

A: Left Wheel Tray  
B: Right Wheel Tray  
C: Base (1.25" or 2")  
D: Lock Pod  
E: Key

F: Hitch pin  
G: Lock chain  
H: Wheel Tray Bar  
I: M10 x 50 FHCS  
J: 6mm Allen wrench

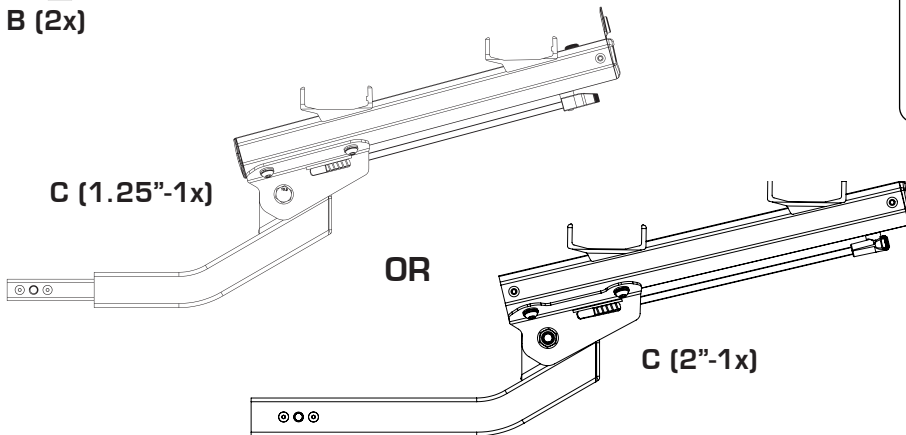
K: 19mm & 13mm Wrench  
L: M12 flat washer  
M: M12 split washer



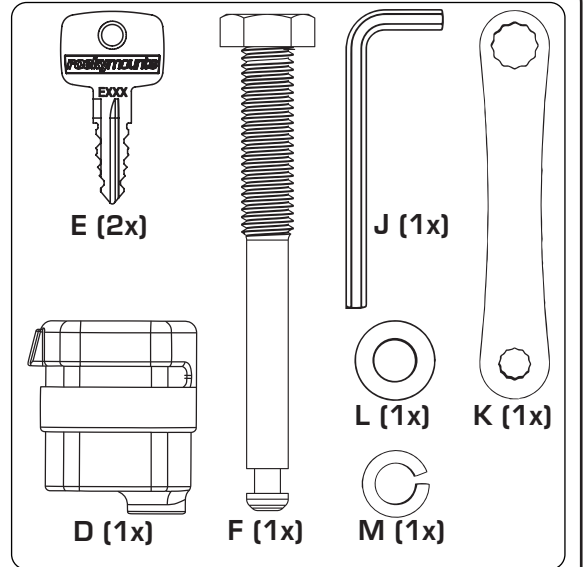
A (2x)



B (2x)



G (1x)



H (2x)

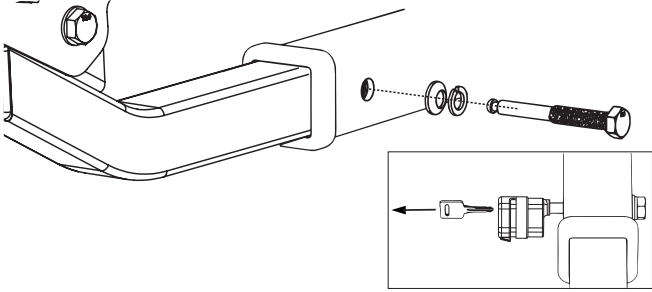


I (4x)

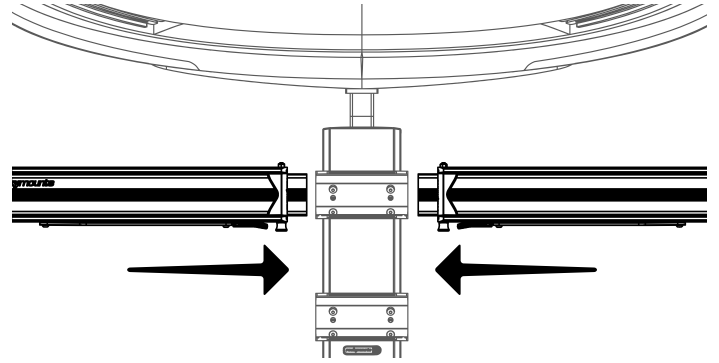


**Assembly Instructions****1 Install Base**

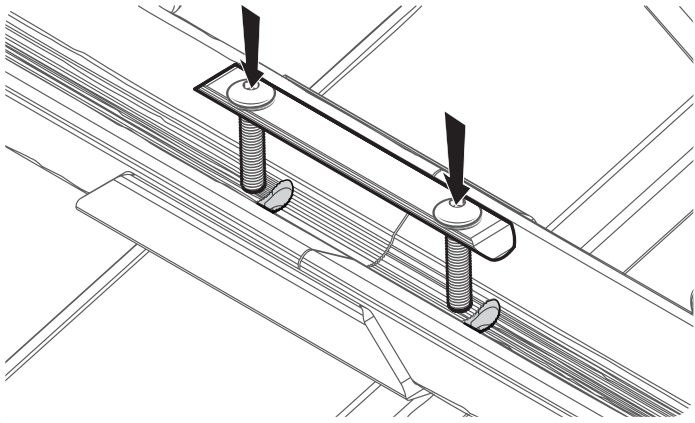
Insert hitch tube into vehicle hitch receiver and align holes. Use 19mm wrench, install the hitch pin with a M12 split washer and M12 flat washer. Lock hitch pin with lock pod. Hitch pin must go in from passenger side of vehicle

**2 Install Inner Wheel Tray Set**

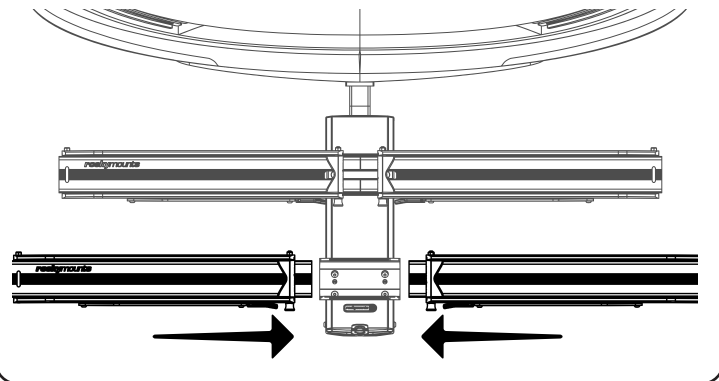
Slide 1x left and 1x Right Wheel Tray inside the inner spine bracket with release lever facing out

**3 Secure Inner Wheel Tray Set**

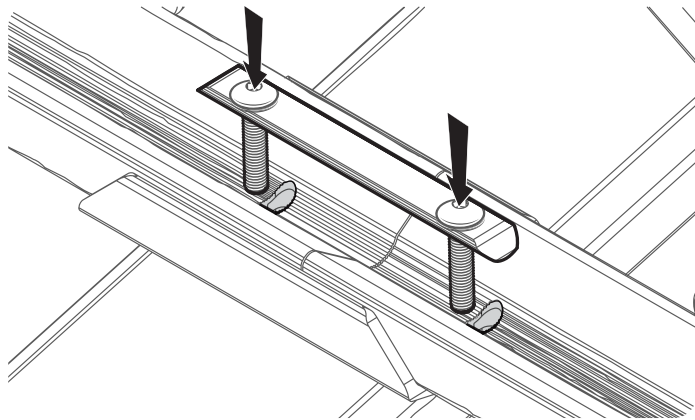
Using 1x Wheel Tray Bar and 2x M10 x 50 bolts, securely attach wheel trays to spine

**4 Install Outer Wheel Tray**

Slide 1x left and 1x Right Wheel Tray inside the outer spine bracket with release lever facing out

**5 Secure Outer Wheel Tray**

Using 1x Wheel Tray Bar and 2x M10 x 50 bolts, securely attach wheel trays to spine

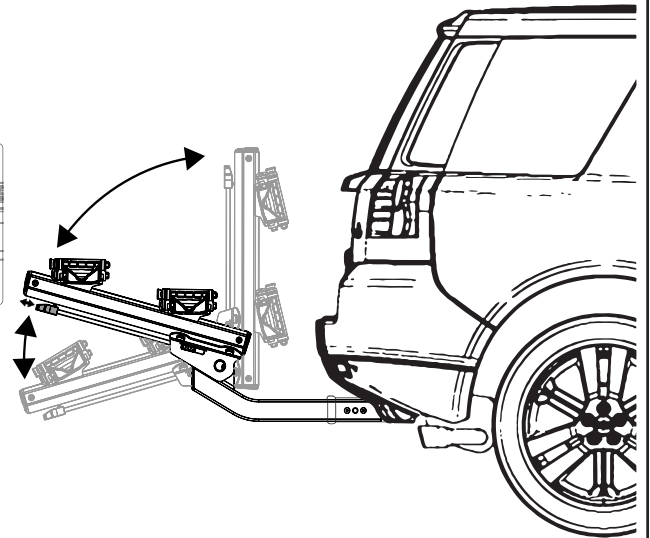
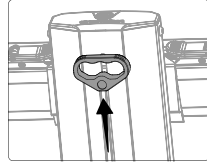


**Operating Rack****1 Rack Positions****Folding Rack**

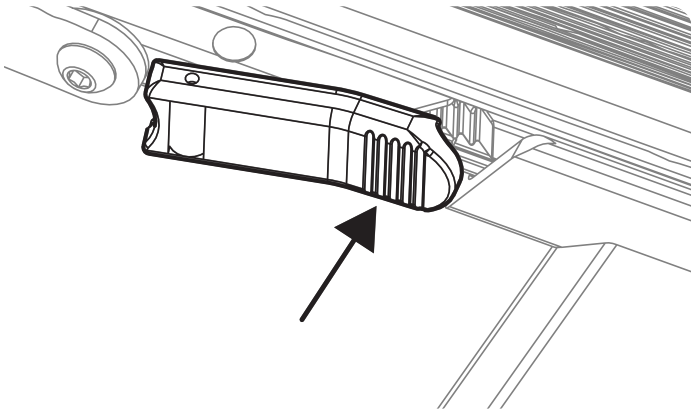
Pull blue spine handle to raise or lower rack into stowed, use, and tilt position.

Rack can be folded into stowed position when not in use and tilted down for rear vehicle access.

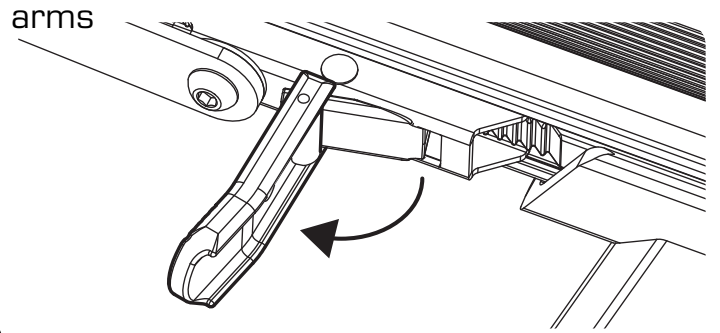
Load arms should be stowed flat when rack is not in use. Spine handle should be fully seated before each use.

**2 Operating Release Lever**

Pushing on lever will temporarily disengage the load arms

**3 Operating Release Lever**

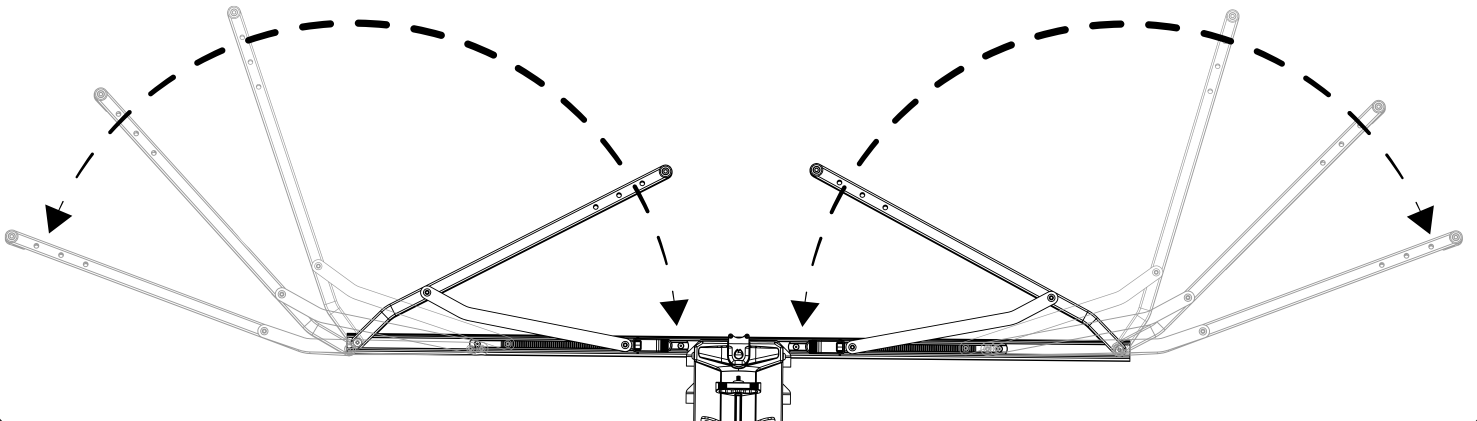
Pulling lever 90° will keep load arms disengaged. Close lever to re-engage load arms



**CLOSE LEVER BEFORE TRAVEL**

**4 Opening / Closing Load-Arms**

With the release lever disengaged, rotate the load arms to an open position. Engage the release lever to securely ratchet the load arms closed

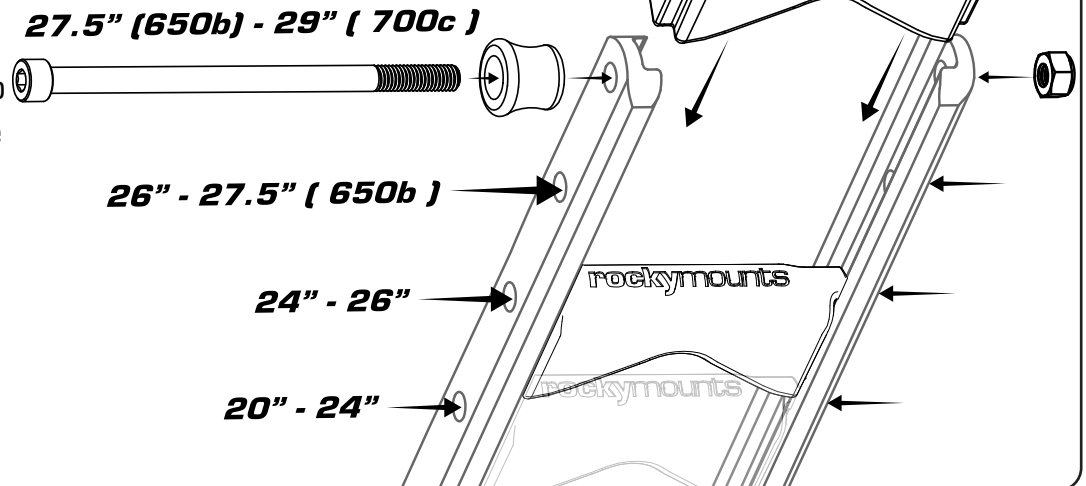


Read all warnings on last page before use.

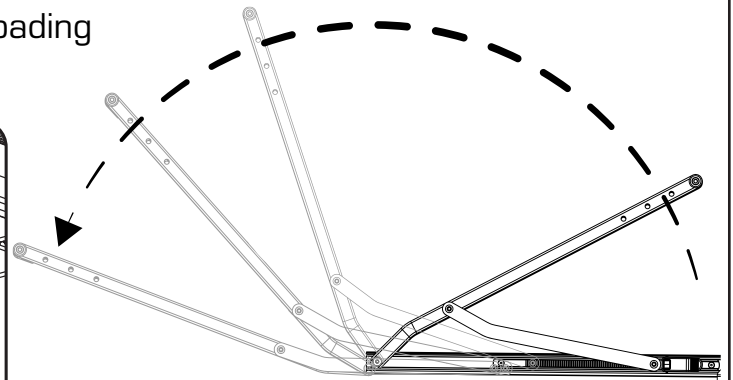
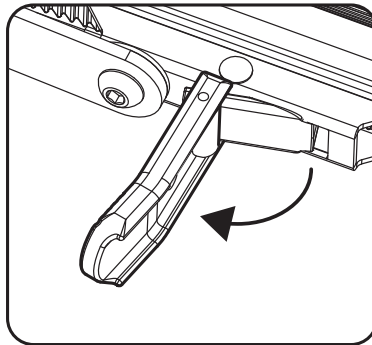
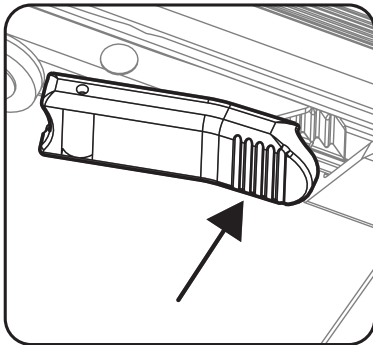
**rockymounts™**

**Rack Adjustability****1 Bridge Adjustment**

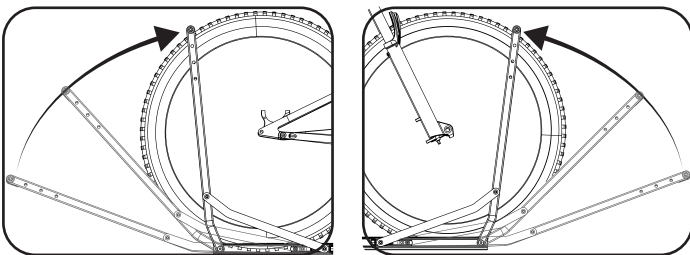
Each load arm has an adjustable bridge. The Bridge can be adjusted to better suit various bicycle wheel sizes by using a 6mm Allen wrench and a 13mm box wrench

**Loading Bikes****1 Prepare Wheel Trays**

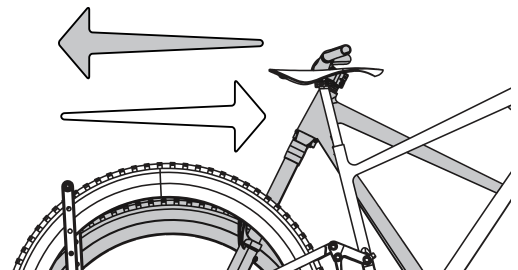
Disengage Load-Arm Triggers. Rotate open load arms. Re-engage Load-Arm Trigger in preparation for loading bicycle

**2 Install bike**

**Load heaviest bike on tray nearest to vehicle.** Rotate the load arm onto the rear wheel of the bicycle (This will help support the bicycle and set spacing) followed by the front wheel load arm.

**3 Handlebar Interference**

If you are having problems with handlebar interference you can stagger the bikes until the contact between bikes is eliminated. Load arms do not need to be loaded symmetrically for a secure fit.



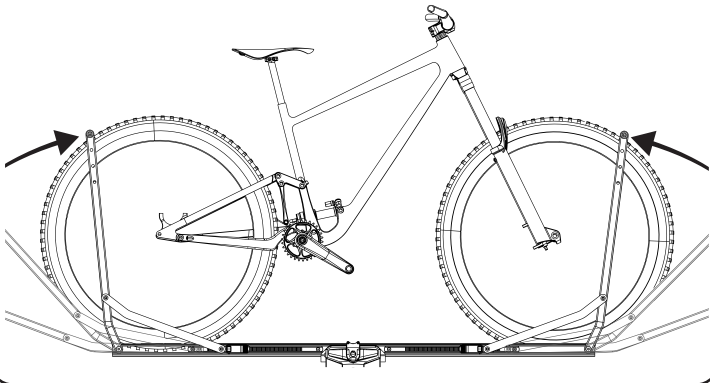
Read all warnings on last page before use.

**rockymounts™**

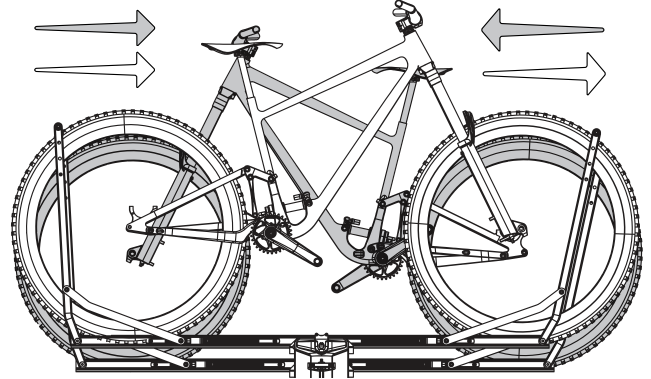


**Loading Bikes Cont.****4 Secure bike**

Compress both front and rear wheel load arm until bicycle is securely mounted on rack

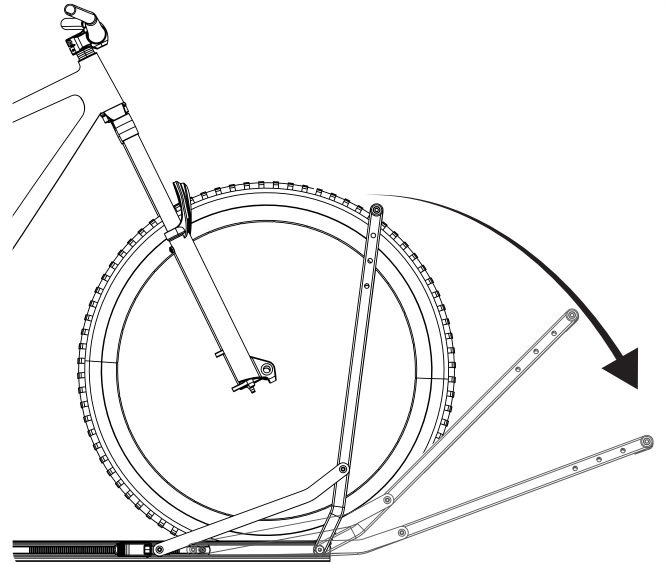
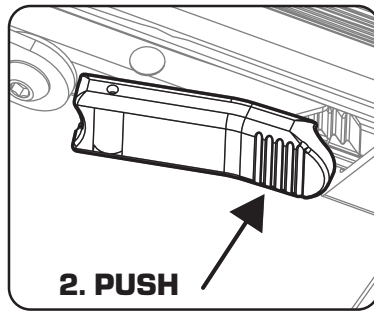
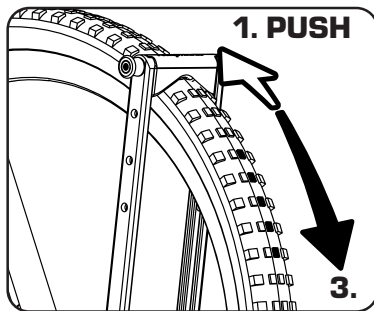
**5 Loading direction**

The symmetrical rack design allows for bicycles to be securely mounted either facing one another or in the same direction.

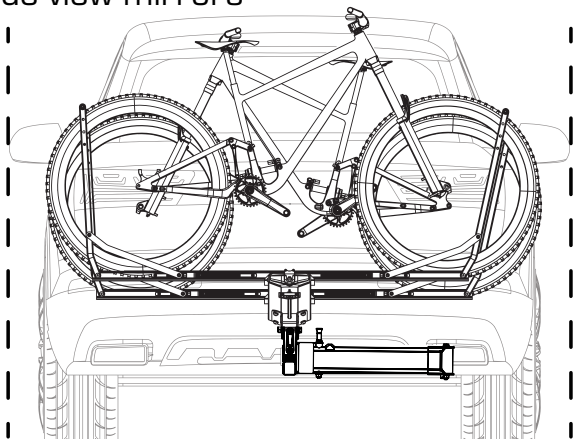
**Unloading Bikes****1 Unloading Bikes**

Disengage the ratchet by (1) compressing the load arms as (2) you push the release lever. (3) Then pull the load arms open releasing the bike

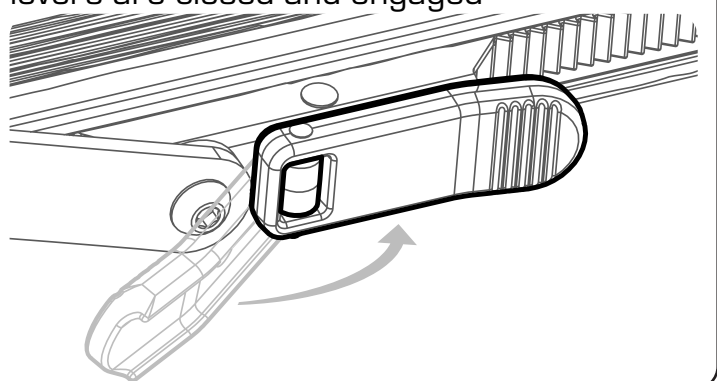
**\*DO NOT pull release lever when ratchet is under load**

**Before Travel****1 Check Mirrors**

Be sure loaded bikes do not extent past width of side view mirrors

**2 Check Release Levers**

Before travel - Check the release levers are closed and engaged



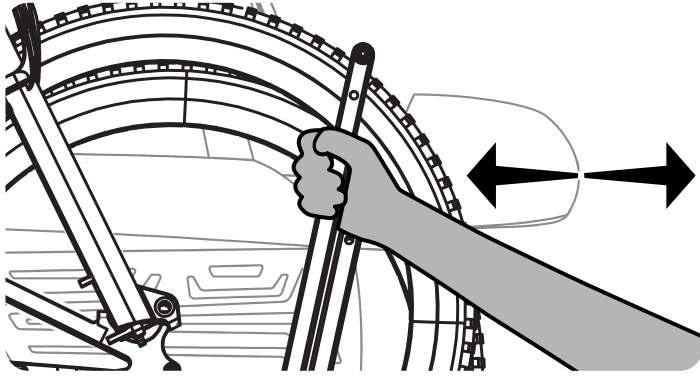
**! CLOSE LEVER BEFORE TRAVEL**

Read all warnings on last page before use.

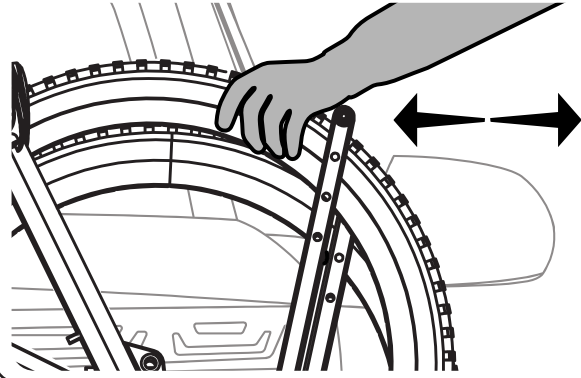
**rockymounts™**

**Before Travel Cont.****3 Check Rack**

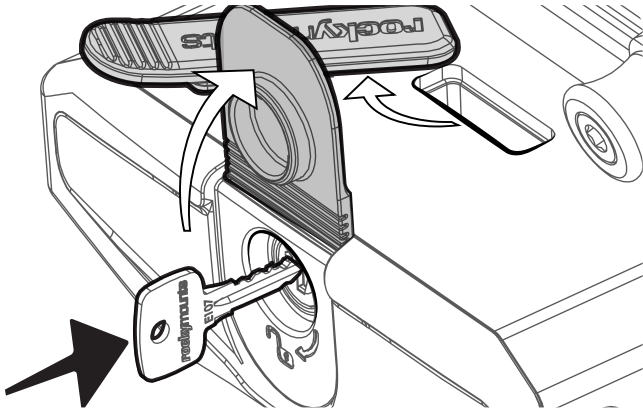
Before travel - Check that the load arms engaged and bike are securely installed onto rack. Load arms should not move laterally

**4 Check Bikes**

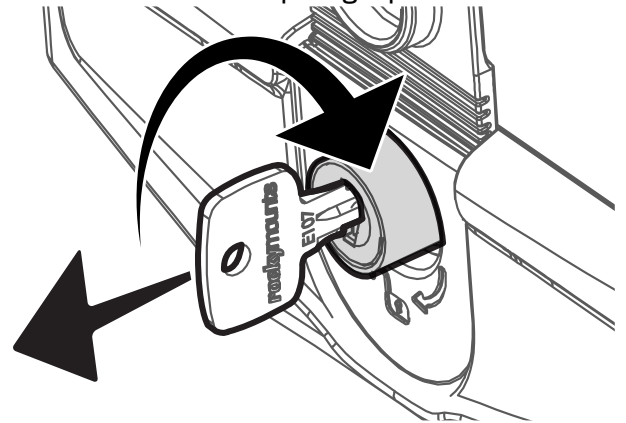
Before travel - Check the bikes are securely installed on to rack. Bikes should not move side to side

**Locking Bikes****1 Uncover Lock Points**

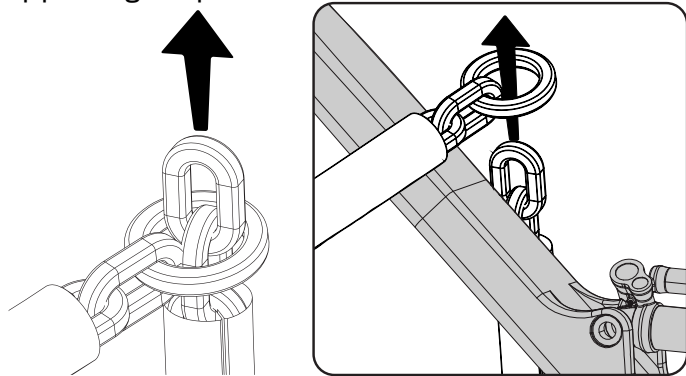
Open the covers on the end cap and chain insert point. Insert key into exposed lock

**2 UnLock**

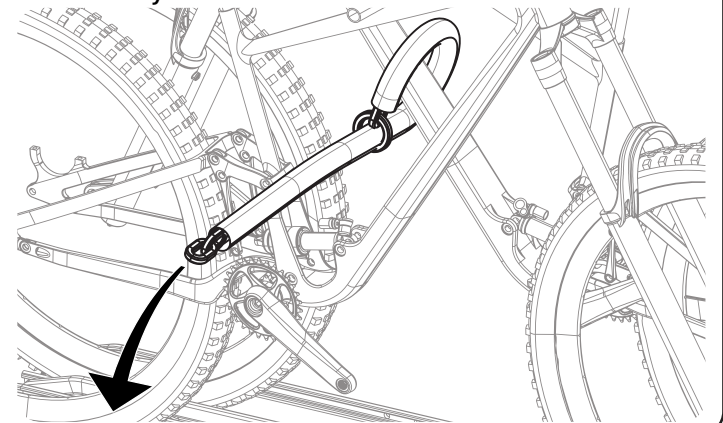
Insert Key, turn clock wise to unlock. When unlocked the Lock will spring open

**3 Loop Chain**

Loop chain around bicycle closest to the vehicle then feed the linked end through the opposing looped end

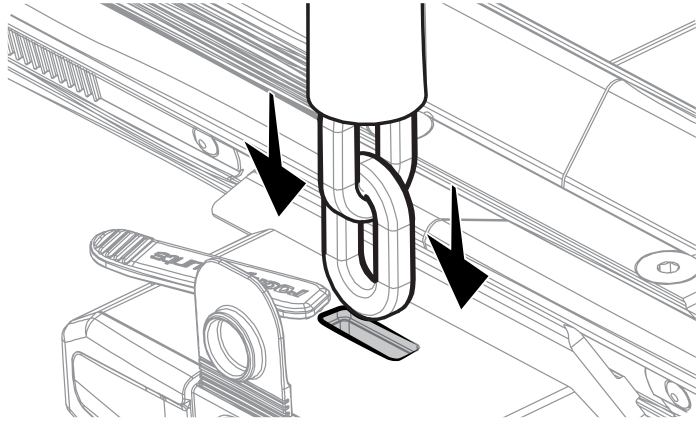
**4 Loop Thru Bikes**

Pass the Chain through the frame of the outer bicycle

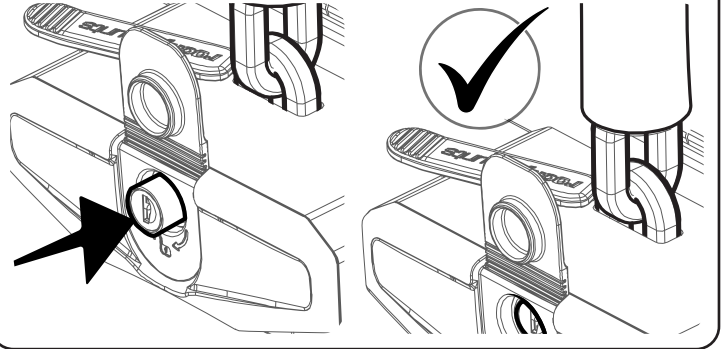


**Locking Bikes Cont.****5 Insert Chain**

Insert the Chain into the Uncovered opening on the spine

**6 Lock**

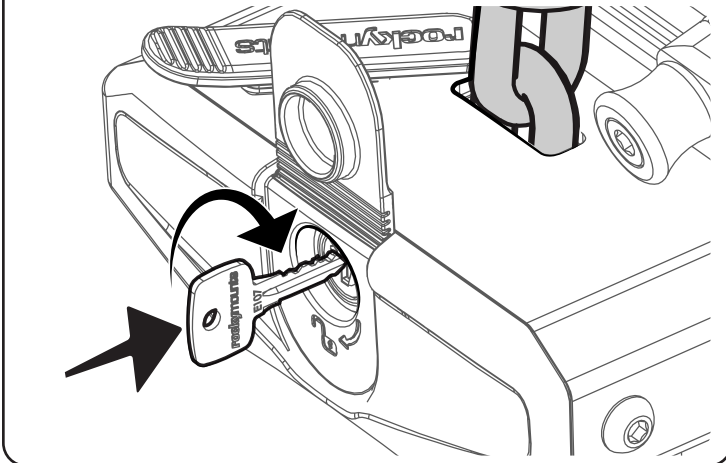
With the chain inserted into the spine, push the lock until it clicks in place



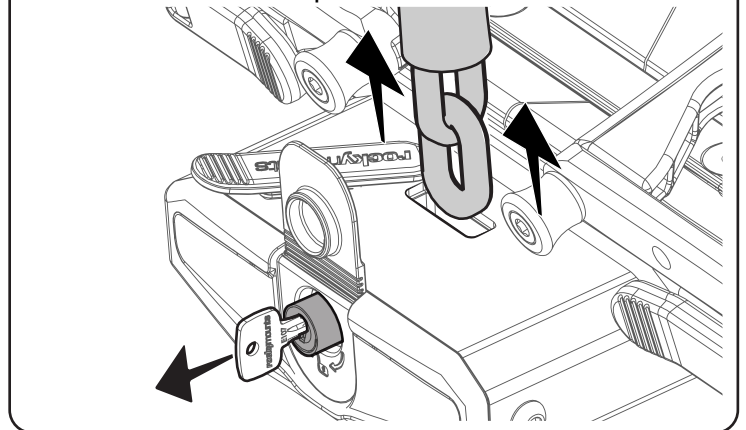
**! DO NOT USE WHILE TRAVELING**  
Can cause damage to frames due to road vibrations

**Unlocking Bikes****1 UnLock**

Insert Key, turn Clock-Wise to unlock

**2 Remove Chain**

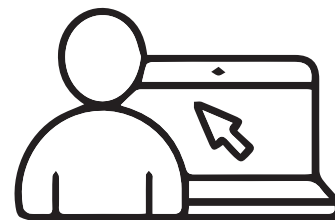
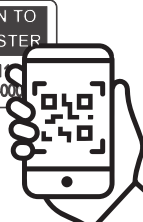
With the lock released, pull up on the chain to remove from the spine



## Register Your Rack

### Scan or Go Online

To Register your new RockyMounts™ either scan the QR code located on the product itself and the box, or go to [www.rockymounts.com/register](http://www.rockymounts.com/register) to fill out the form

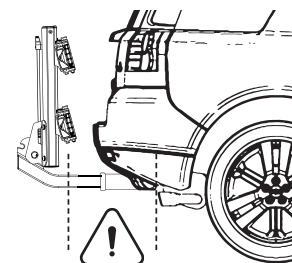


### Warnings

- If a hitch extension is needed, only anti-wobble hitch extensions by RockyMounts™ should be used with this product
- Remove e-bike batteries, baby seats, panniers, U-Locks, or items that could detach from the bicycle
- Do not use bicycle covers, bicycle bras, or bikes equipped with aero disc wheels
- Not intended for off road use or with trailers, towed vehicles, 1 ton pickups, RV's, or UHV/UTVs
- Bikes and rack can partially block license plate and/or taillights. Please check and adjust accordingly
- Check the car exhaust is not pointing at the rack, bike tires, or rims. Some vehicles may require exhaust diversion to avoid damage
- Ensure release lever is in closed position before transporting bikes
- Do not transport bikes with flat or leaking tires. Tires must be inflated for secure transport
- Hitch receivers require a minimum of 350lbs tongue weight rating and 1.5" (38mm) distance from hitch pin hole to end of receiver
- Locks are only deterrents for thieves, RockyMounts™ Inc. Cannot be held liable for stolen bicycles
- Remove lock while vehicle is moving; Road vibrations may cause frame damage to bikes and rack
- Check all fasteners before each use
- Remove bikes and rack before entering car wash, hand washing rack is OK
- Once a year, remove from vehicle to clean and inspect for damage

### Check Exhaust Clearance

If vehicle exhaust is directed at the rack or your bicycle wheel, it may cause heat damage. We recommend an exhaust tip to direct the heat away. If your exhaust points down or to the side, there will not be a problem. Exhaust temperatures can reach 1,500°F, install the rack and check clearance before use



### Limited Lifetime Warranty

At RockyMounts we offer a Limited Lifetime Warranty for products purchased after January 1, 2014 to the original owner. For details of warranty, how to make a claim, and how to register your product; please see [rockymounts.com/warranty](http://rockymounts.com/warranty)

### Technical Support

Please call use at 303-402-0190 or email at [ride@rockymounts.com](mailto:ride@rockymounts.com) for questions regarding use, assembly, and support

Read all warnings on this page before use.

**rockymounts™**