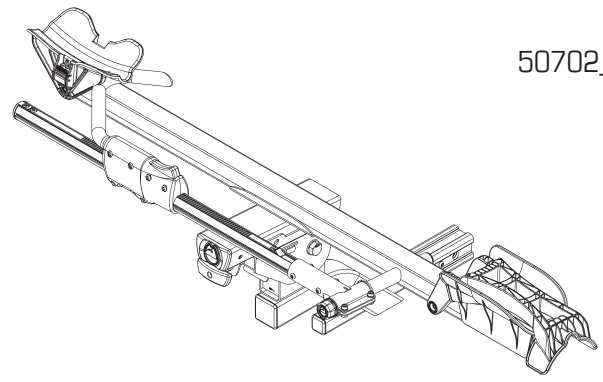




rockymounts™
MonoRail Solo

50702_REV_E

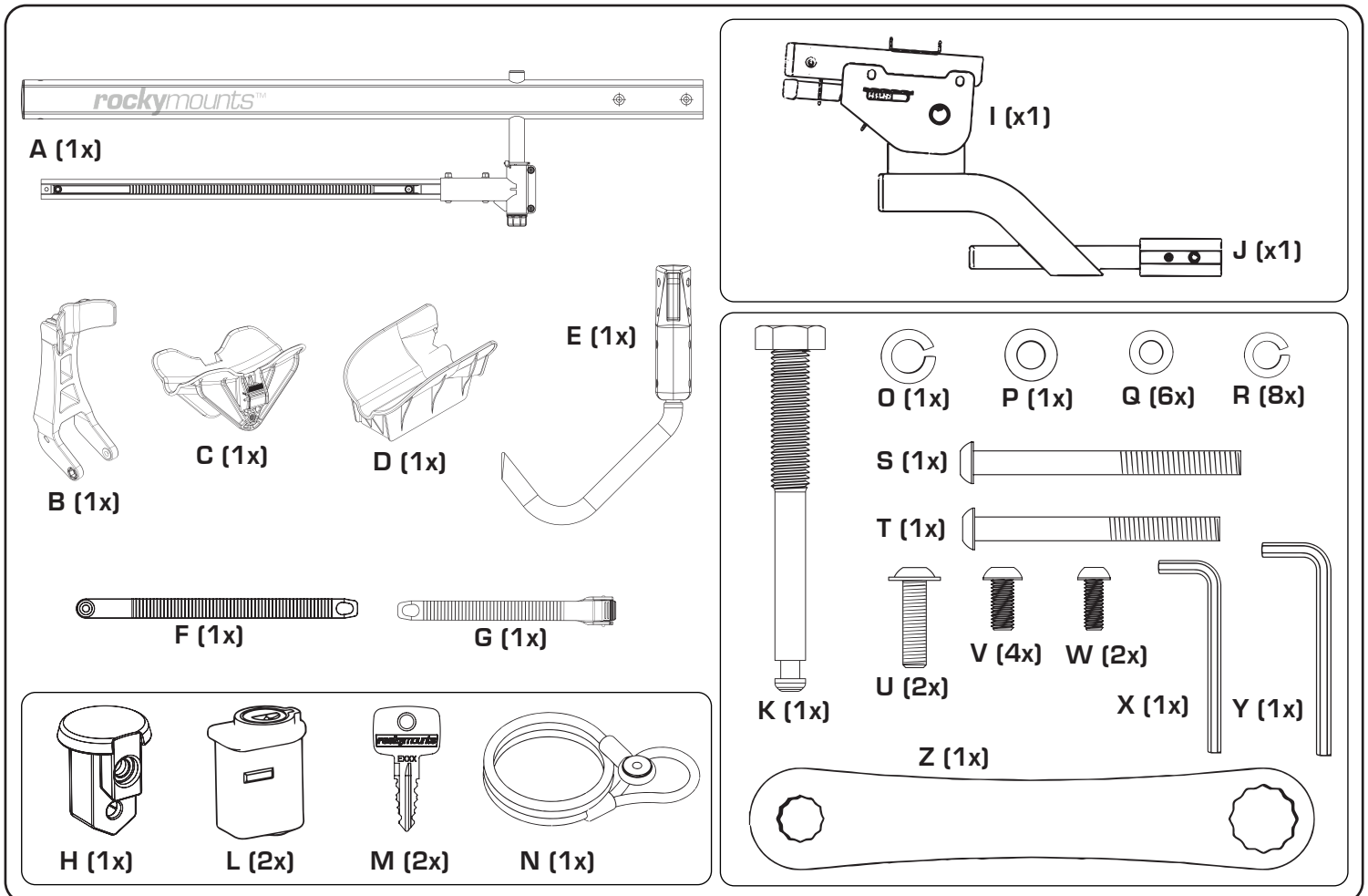


Guidelines

- Carries 1 bike, up to 60lbs (27kg); or 45lbs (20kg) [90lbs (41kg) total] with Add-On attached
- Tire width 19mm road bike tires - 5.0" mountain bike tires
- Wheel Diameter: 20" - 29"
- Wheelbase: 36" - 50" (915mm - 1270mm)
- **Remove front fenders, racks, and panniers before use**
- No kick bikes, recumbents, mopeds, scooters, pennyfarthings, or tandems
- MonoRail Solo is compatible with 1.25" and 2" hitch receivers utilizing included adaptor

Parts Included

- | | | | |
|--------------------------|------------------------|---------------------------|-----------------------|
| A: Wheel tray | H: Load arm end cap | O: M12 Split washer | V: M8 x16mm BHCS bolt |
| B: Back stop | I: 1.25" Base | P: M12 Flat washer | W: M6 x 16mm BHCS |
| C: Rear wheel cup | J: 1.25" to 2" Adaptor | Q: M8 Flat washer | X: 4mm Allen wrench |
| D: Front wheel cup | K: Hitch Pin | R: M8 Split washer | Y: 5mm Allen wrench |
| E: Wheel hook | L: Lock pod | S: M8 x 90mm BHCS bolt | Z: 19mm Wrench |
| F: Wheel strap | M: Key | T: M8 x 85mm BHCS bolt | |
| G: Wheel strap extension | N: Lock cable | U: M8 x30mm flanged Screw | |

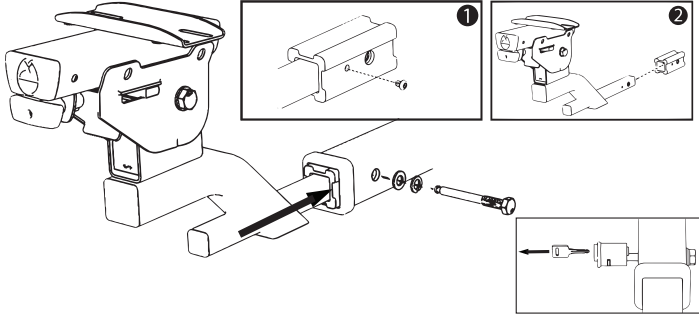


Read all warnings on last page before use.

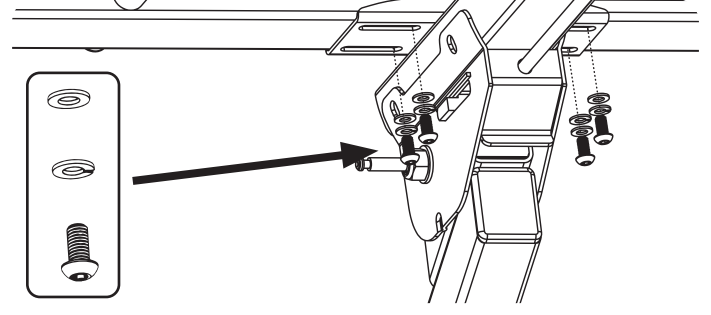
rockymounts™

Assembly Instructions**1 Install Base**

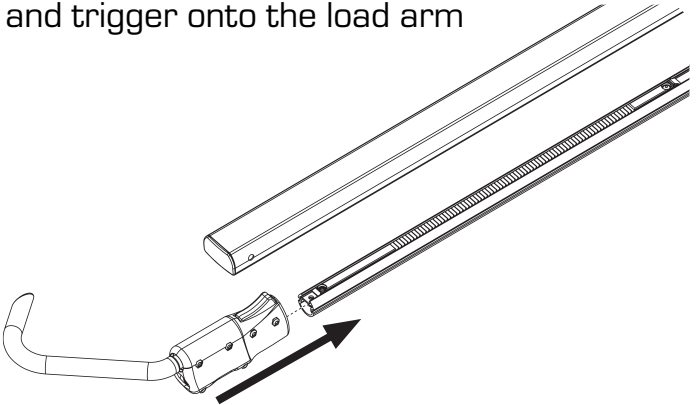
Insert hitch tube into vehicle receiver and align holes. For 1.25" receivers, unscrew M6 bolt and remove adapter first. Use 19mm wrench, install hitch pin with M12 split washer and an M12 flat washer. Lock hitch pin with lock pod

**2 Install Wheel Tray**

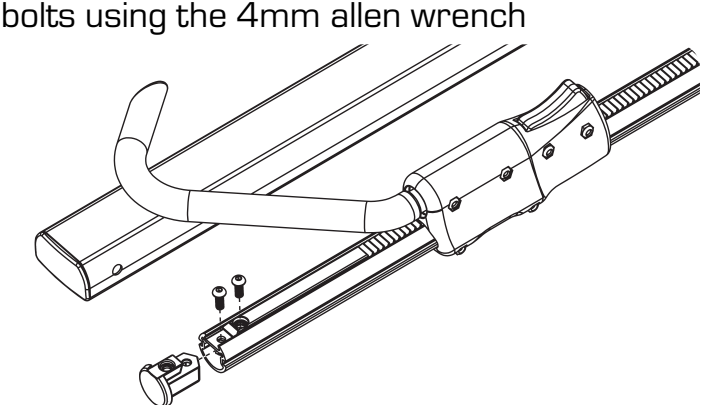
Pull blue T handle to lower base. Place wheel tray on base. Loosely install four M8x16 bolts with split and flat washers. Position tray then securely tighten all bolts

**3 Install Hook and Trigger**

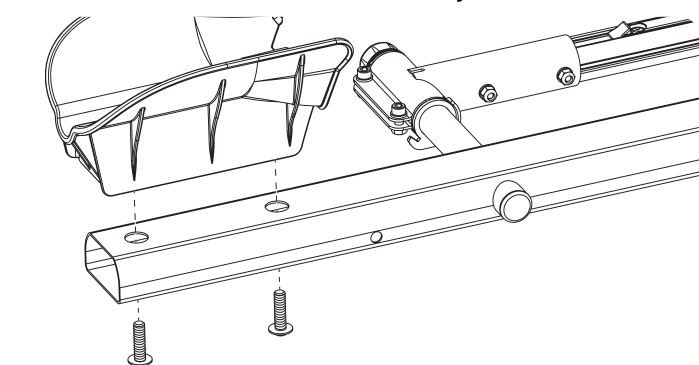
With the blue trigger facing upwards and the hook towards the tray, slide the wheel hook and trigger onto the load arm

**4 Install Load Arm End Cap**

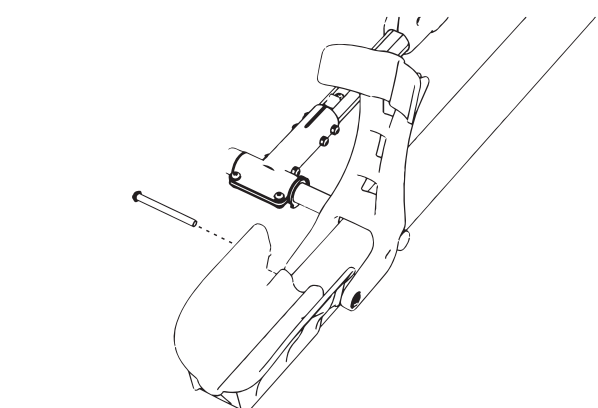
Slide the load arm end cap into the end of the load arm. Affix utilizing two M6x16 BHCS bolts using the 4mm allen wrench

**5 Install Front Wheel cup**

Push the front wheel up onto the tray and screw in the two M8x30 flanged screws from the underside of the tray

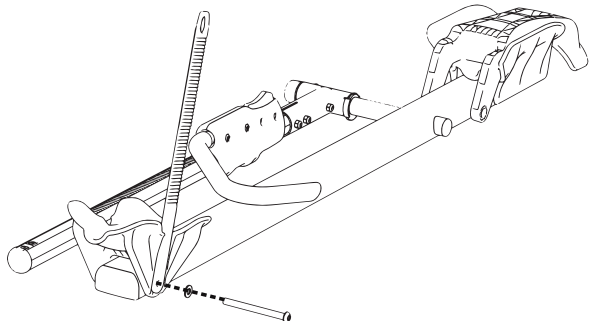
**6 Install Back Stop**

Install the back stops with M8x85 BHCS bolt



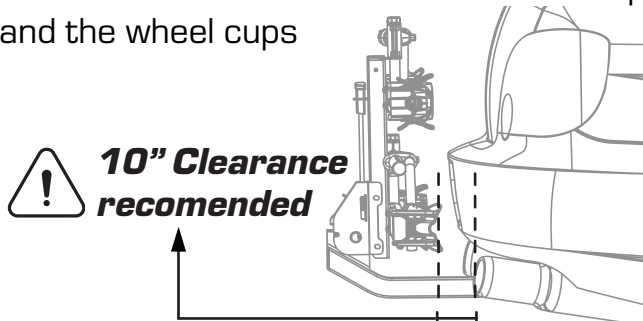
7 Install Rear Wheel Cups

Align holes on the wheel cup, tray, and wheel strap. Make sure the buckle faces away from vehicle. Install with M8x90 BHCS bolt and one M8 flat washer

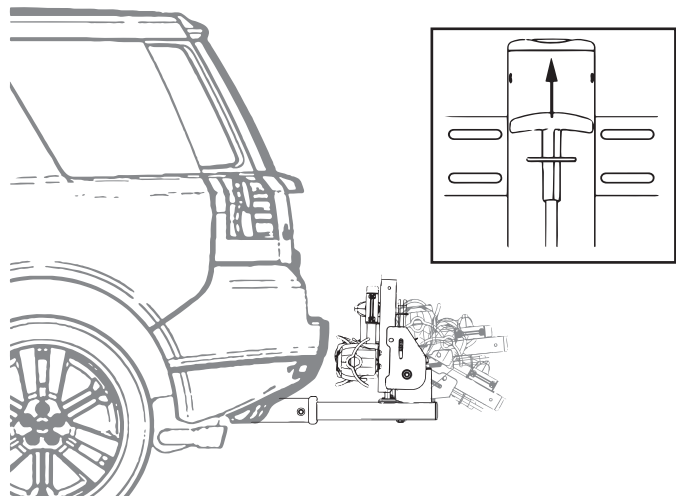


8 Check Exhaust Clearance

Ensure there is adequate clearance between the exhaust and the plastic wheel trays. If the exhaust vents directly rearward we suggest a minimum of 10 inches between the tail pipe and the wheel cups



9



Folding Rack

Pull blue T handle to raise or lower the rack into stow, use, and tilt position

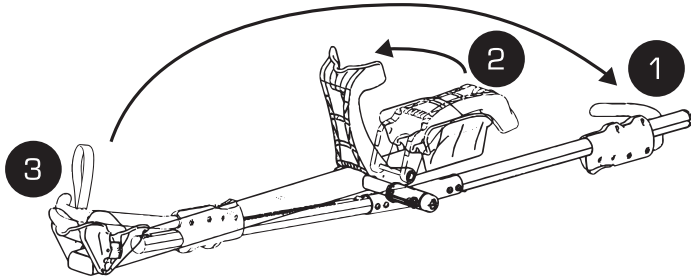
Rack can be folded into stow position when not in use and tilted down for rear vehicle access

Load arms should be stowed flat when rack is not in use

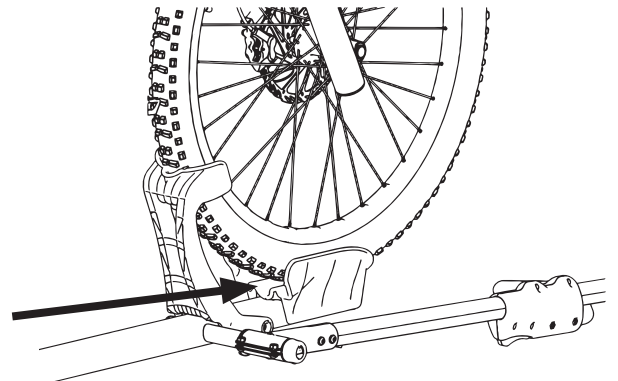
Blue T handle should be fully seated before each use

Loading Bikes**1 Prepare Wheel Tray**

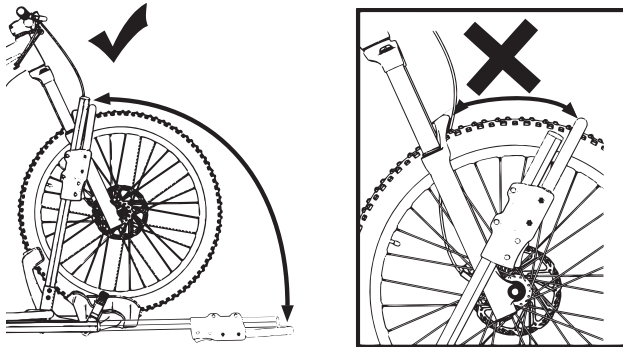
- ① Rotate load arm 180 degrees from stowed position and fully extend the hook
- ② Fold back stop into open position
- ③ Tuck the wheel strap into the wheel cup

**2 Place Bike on Rack**

Load heaviest bike on tray nearest to vehicle
Front wheel should be secure against the backstop

**3 Secure Front Wheel**

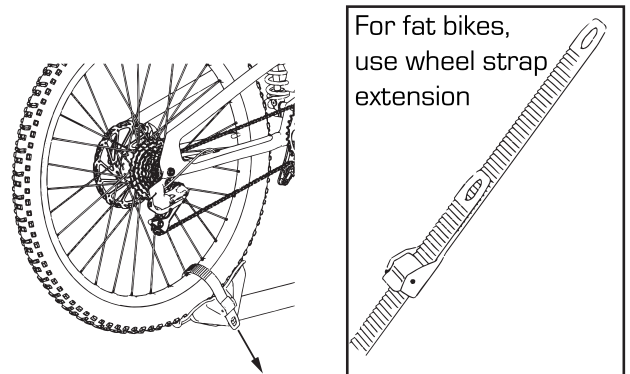
Rotate load arm over front wheel and tighten hook against the fork. There should be contact between the fork, the wheel hook, and tire



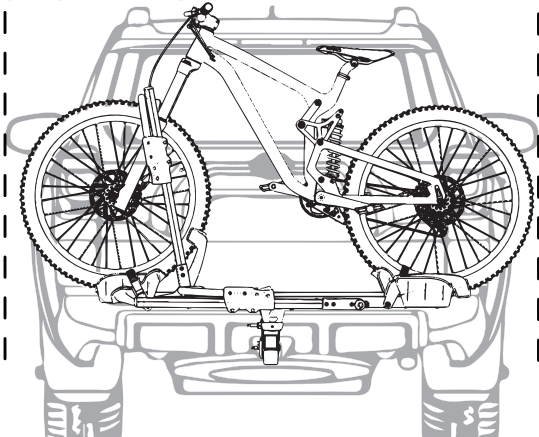
DO NOT CLAMP HOOK ON TOP OF FORK CROWN

4 Secure Rear Wheel

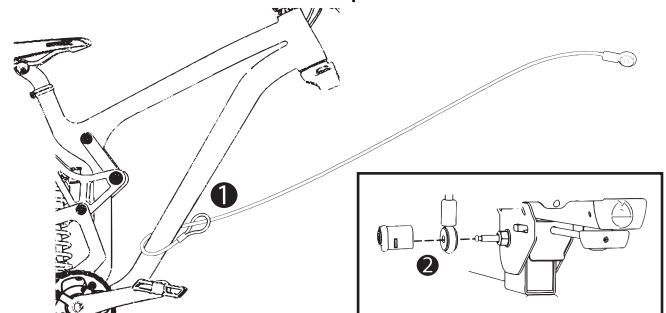
Feed wheel strap through rear wheel and into buckle. **Pull Tight**

**5 Check Mirrors**

Be sure loaded bikes do not extent past width of side view mirrors

**6 Locking Bike**

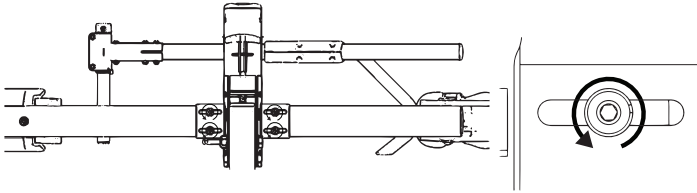
Loop cable around inner bike fram and feed through outer bike frame. Loack cable to pivot bolt with additional lock pod



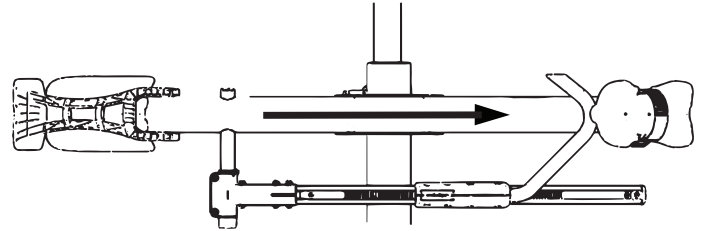
DO NOT USE WHILE TRAVELING
 Can cause damage to frames due to road vibrations

Rack Adjustability**1 Loosen Bolts**

Tray can be adjusted side-to-side to avoid handlebar interference. Remove bikes and fold rack stowed position. Loosen four M8 bolts on bottom of spine

**2 Adjust Trays**

Slide tray as much as needed and re-tighten all four M8 bolts

**Warnings**

- If a hitch extension is needed, only anti-wobble hitch extensions by RockyMounts™ should be used with this product
- Remove Baby Seats, Panniers, U-Locks, or Items That Could Detach From The Bicycle
- Do not use bicycle covers, bicycle bras, or equipped with rear aero disc wheel
- Not intended for off road use or with trailers, towed vehicles, 1 ton pickups, RV's, or UHV/UTVs
- Bikes and rack can partially block license plate and/or taillights. Please check and adjust accordingly
- Check the car exhaust is not pointing at the rack, bike tires, or rims. Some vehicles may require exhaust diversion to avoid damage
- Do not transport bikes with flat or leaking front tires. Front tire must be inflated for secure transport
- Hitch receivers require a minimum of 350lbs tongue weight rating and 1.5" (38mm) distance from hitch pin hole to end of receiver
- Locks are only deterrents for thieves, RockyMounts™ Inc. Cannot be held liable for stolen bicycles
- Check All Fasteners Before Each Use
- Remove Bikes and Rack Before Entering Car Wash, hand washing rack is OK
- Once a Year, Remove From Car to Clean and Inspect for Damage

Limited Lifetime Warranty

At RockyMounts we offer a Limited Lifetime Warranty for products purchased after January 1, 2014 to the original owner. For details of warranty, guidelines, and how to make a claim; please see rockymounts.com/warranty

Technical Support

Please call use at 303-402-0190 or email at ride@rockymounts.com for questions regarding use, assembly, and support

Read all warnings on last page before use.

rockymounts™