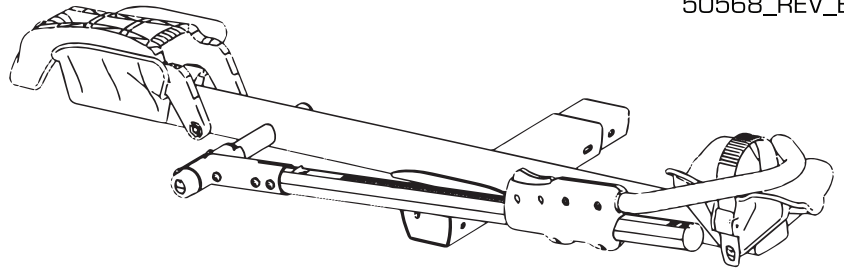




rockymounts™ MonoRail Add-On

50568_REV_B



Guidelines

- Using the MonoRail Add-On reduces max weight per bike to 45lbs (20kg)
- Tire Width: 19mm road bike tires - 5.0" mountain bike tires
- Wheel Diameter: 20" - 29"
- Wheelbase: 36" - 50"
- Remove front fenders, racks, and panniers before use
- No kick bikes, recumbents, mopeds, scooters, pennyfarthings, or tandems
- Compatible with MonoRail 2" and MonoRail Solo, **Not compatible with MonoRail 1.25" or BackStage**

Parts Included

A: Wheel Tray

D: Wheel Strap

G: M8x90 BHCS Bolt

J: M8 Split Washer

B: Back Stop

E: Wheel Strap Extension

H: M8x85 BHCS Bolt

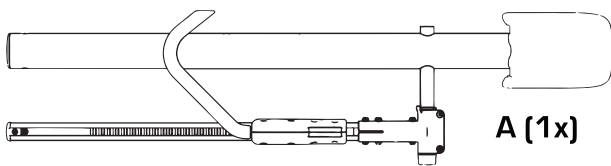
K: M8 Flat Washer

C: Wheel Cup

F: Add-On Spine

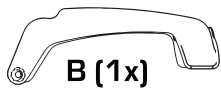
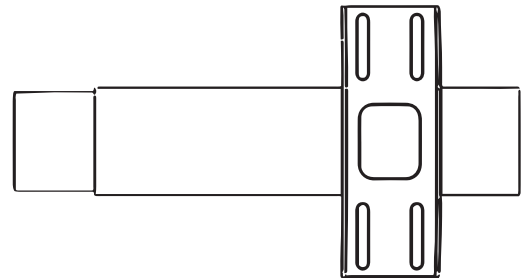
I: M8x16 BHCS Bolt

L: 5mm Allen Wrench



A (1x)

F (1x)



B (1x)



C (1x)



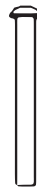
D (1x)



E (1x)



G (1x)



H (1x)



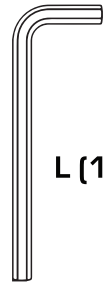
I (6x)



J (4x)



K (7x)



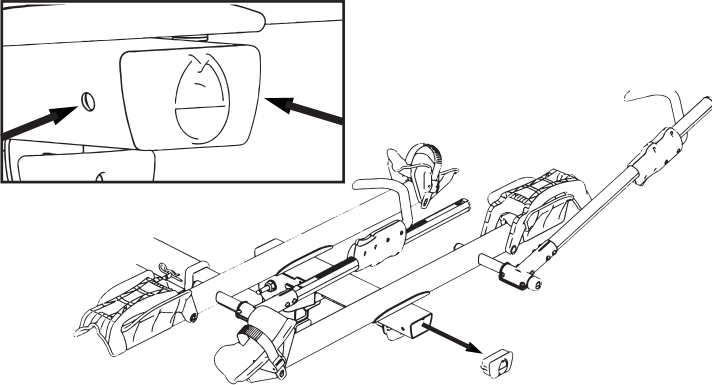
L (1x)

Read all warnings on last page before use. **rockymounts™**

Assembly Instructions

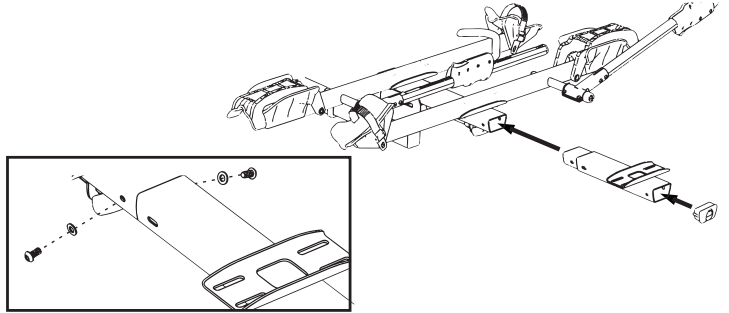
1 Remove End Cap

Depress tabs and pull end cap out



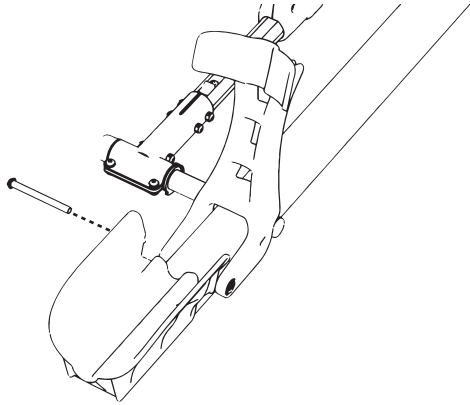
2 Install Add-On Spine

Insert add-on spine into main spine. Install two M8x16 bolts with two flat washers. Reinstall end cap onto end of add-on spine



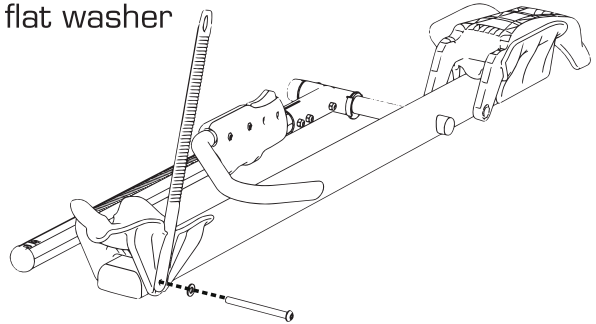
2 Install Back Stop

Install back stop with M8x85 bolt



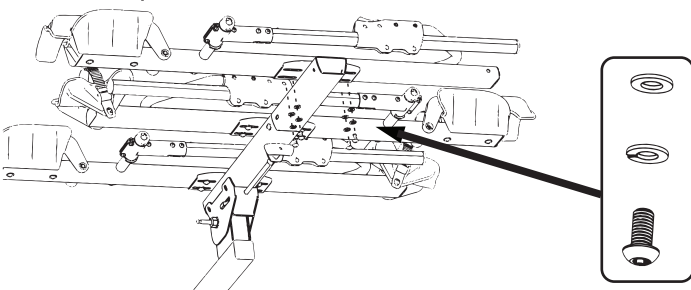
4 Install Wheel Cup

Align holes on wheel cup, tray and wheel strap, make sure buckle faces towards load arm. Install one M8x90 bolt and one M8 flat washer



2 Install Wheel Tray

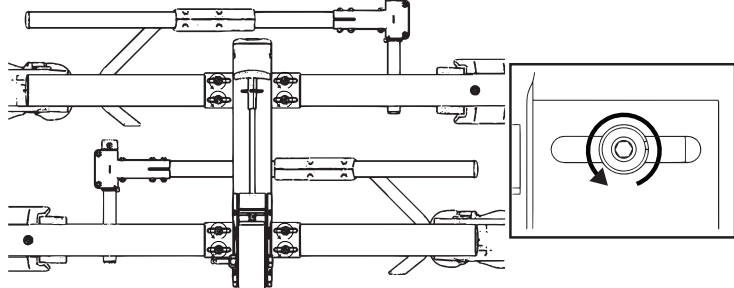
Place wheel tray on the add-on spine with load arm facing out. Install four m8x16 bolts with M8 washers through slots under add-on spine



Rack Adjustability

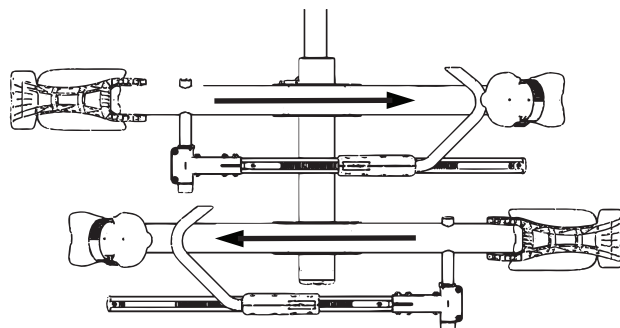
1 Loosen Bolts

Trays can be adjusted side-to-side to avoid handlebar interference. Remove bikes and fold rack into use position. Loosen eight M8 bolts on the bottom of base



2 Adjust Trays

Slide trays for amount of adjustment needed. Re-tighten the eight M8 bolts



Warnings

- If a hitch extension is needed, only anti-wobble hitch extensions by RockyMounts™ can be used with this product
- Remove Baby Seats, Panniers, U-Locks, or Items That Could Detach From The Bicycle
- Do not use bicycle covers, bicycle bras, or equipped with rear disc wheel
- Not intended for off road use. Not intended for use on trailers or towed vehicles
- Not intended for use with trailers, towed vehicles, 1 ton pickups, RV's, or UHV/UTVs
- Bikes and rack can partially block license plate and/or taillights. Please check and adjust accordingly
- Check the car exhaust is not pointing at the rack, bike tires, or rims. Some vehicles may require exhaust diversion to avoid damage
- Do not transport bikes with flat or leaking front tires. Front tire must be inflated for secure transport
- Hitch pin holes need to be a minimum of 1.5" (38mm) from end of hitch receiver
- Locks are only deterrents for thieves, RockyMounts™ Inc. Cannot be held liable for stolen bicycles
- Check All Fasteners Before Each Use
- Remove Bikes and Rack Before Entering Car Wash
- Once a Year, Remove From Car to Clean and Inspect for Damage

Limited Lifetime Warranty

At RockyMounts™ we offer a Limited Lifetime Warranty for products purchased after January 1, 2014 to the original owner. For details of the Warranty, guidelines, and how to make a claim please see rockymounts.com/warranty

Technical Support

Please call us at 303-402-0190 or email at ride@rockymounts.com for questions regarding use, assembly, and support