



**CONTROLLED**

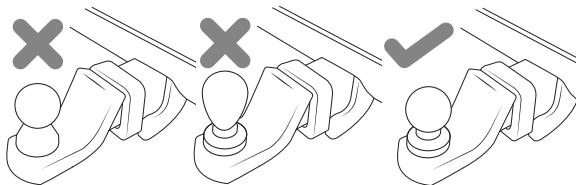
# RHINO-RACK

## RTL007 T-Load Towball Mount MK2

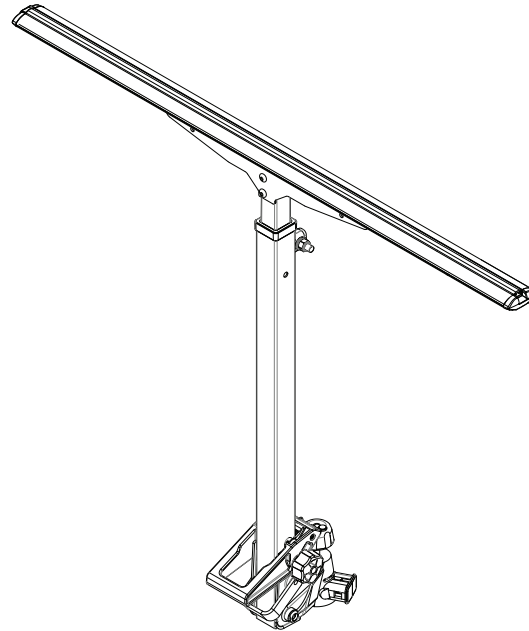
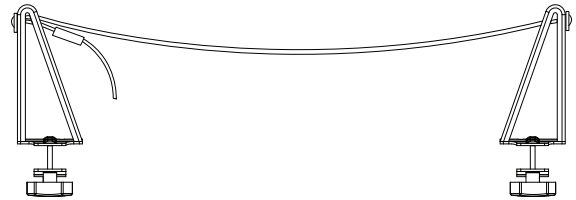
- |  |  |
|--|--|
| 1. <input type="checkbox"/> Check Part No./Kit is correct              | 3. <input type="checkbox"/> Fit roof rack accessory                    |
| 2. <input type="checkbox"/> Read through instruction before installing | 4. <input type="checkbox"/> Check and recheck all fasteners are secure |



**Warning: Not recommended for offroad use. Carrier is intended for circular ball hitches and not conical flanged hitches.**



- Warning: Not recommended for offroad use.
  - Use of RTLK recommended to support load.
- Highly recommended for kayaks to stop sliding on uneven ground.



### Important Information

#### Maximum carrying capacity: 60kg (132lbs)

Please refer to your vehicle manufacturers handbook for maximum carrying capacity of your tow bar. Always use the lower of the two figures. Load must be evenly distributed over the crossbars.

**Warning: This product requires a certain level of manual handling of long and sometimes heavy objects. Ensure that you have assessed the following criteria before carrying out a lift.** 1 - Your physical ability and strength. 2 - Your general state of health and fitness. 3 - Dimensions of the object, such as height reach and grip areas

Unless stated otherwise in these instructions, all fasteners should be set to the following torque settings -

M6: 4-5Nm (3-4lbs/ft), M8: 8-10Nm (6-7.5lbs/ft) and M10: 16-18Nm (12-13lbs/ft).

Do not attempt to fit the T-load to your vehicle unless you fully understand this fitting instructions. Please direct any questions regarding fitting to the dealer from where the T-load was purchased.

#### Recommendations:

It is essential that all bolt connections be checked after driving a short distance when you first install your roof racks and T-load. Bolt connections should be checked again at regular intervals (once a week is enough, depending on road conditions, usage, loads and distances travelled). You should also check the roof racks and T-Load each time they are re-fitted. Always make sure to fasten your load securely. Please also ensure that all loads are evenly distributed and that the centre of gravity is kept as low as possible. Long loads (e.g. canoes and kayaks) must be secured front and rear with non-stretch fastening ropes or straps.

**Roof racks must be removed when putting vehicle through an automatic car wash.**

**Caution:** The handling characteristics of the vehicle changes when you transport a load on the roof. For safety reasons we recommend you exercise extreme care when transporting wind-resistant loads. Special consideration must be taken into account when cornering and braking.

#### Note for Dealers and Fitters:

It is your responsibility to ensure these fitting instructions are given to the end user or client.

Rhino-Rack  
22 Hanson Place, Eastern Creek,  
NSW 2776, Australia.  
(Ph) (02) 8846 1900  
rhinorack.com.au

Document No: R1707  
Prepared By: Kayle Everett  
Authorised By: Adam Connellan

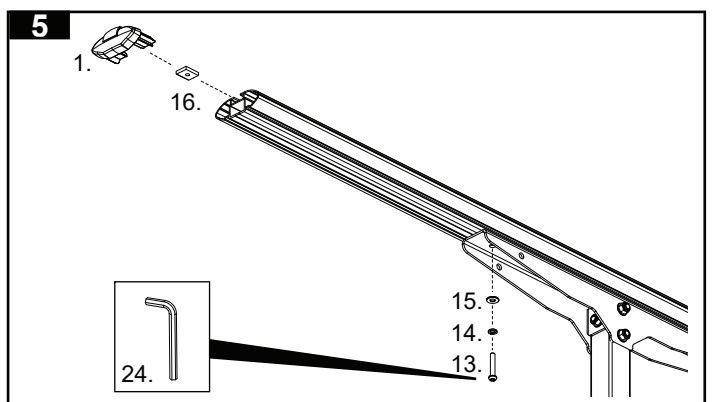
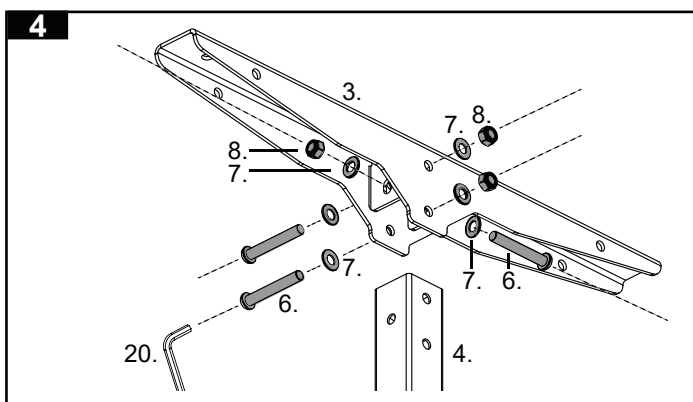
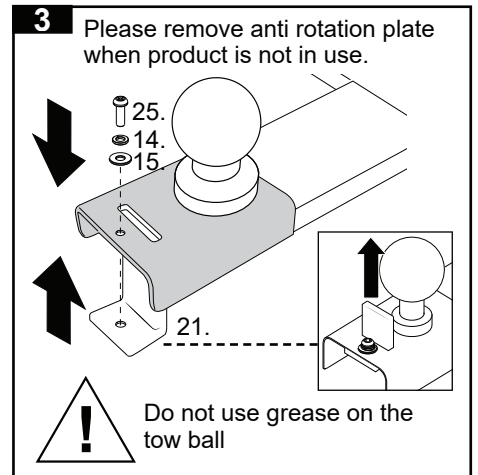
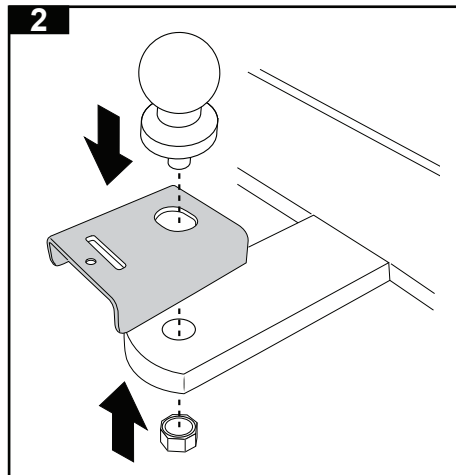
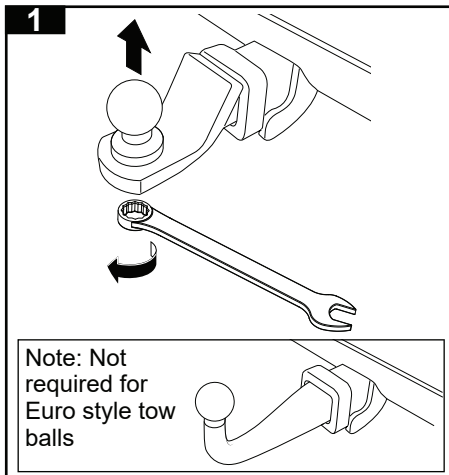
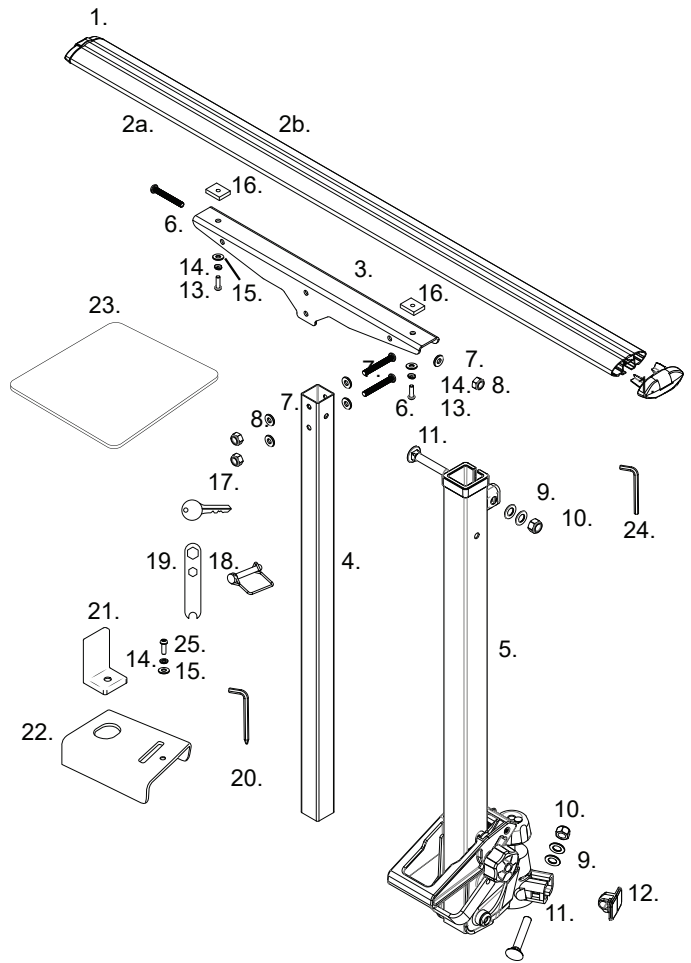
Fit Time: 20min  
Issue No: 04  
Issue Date: 22/11/2018

These instructions remain the property of Rhino-Rack Australia Pty Ltd and may not be used or changed for any other purpose than intended.

# RHINO-RACK

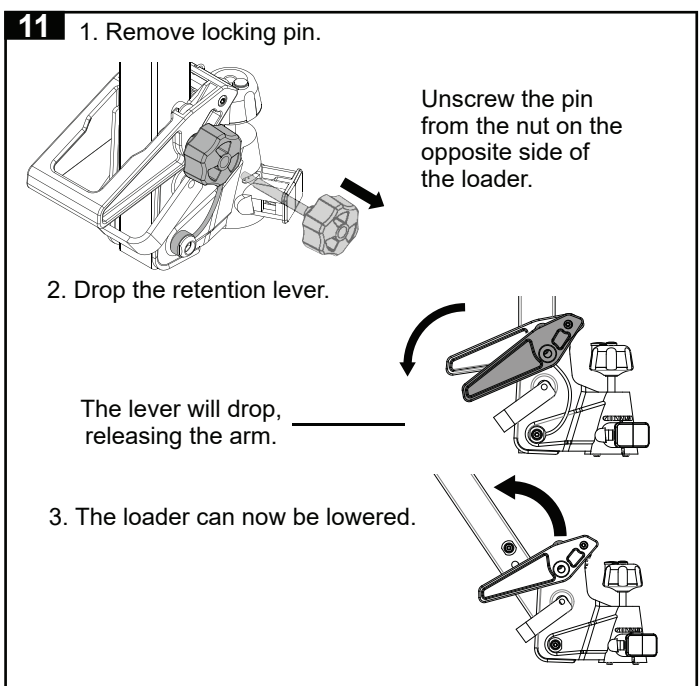
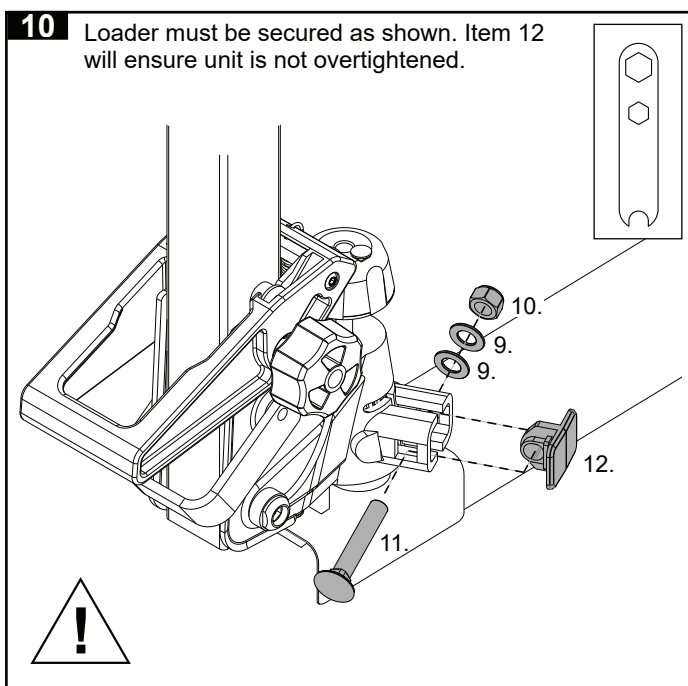
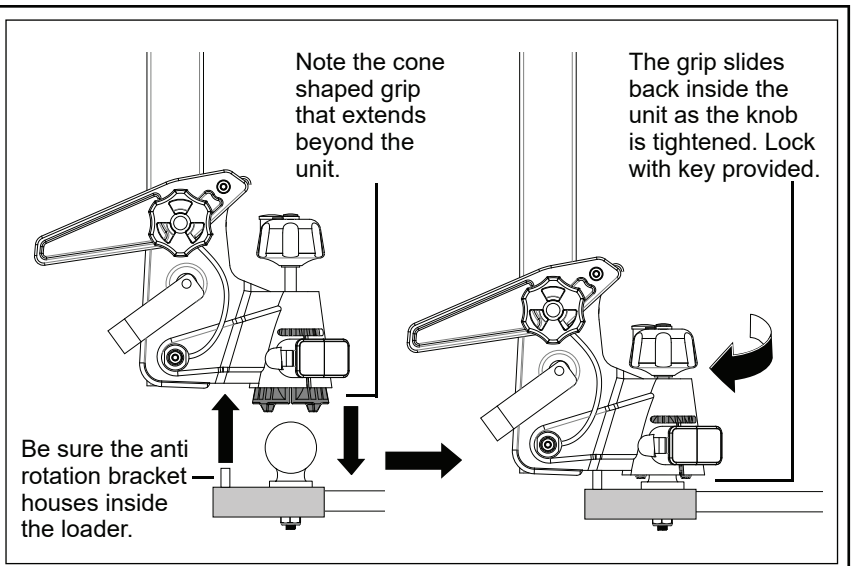
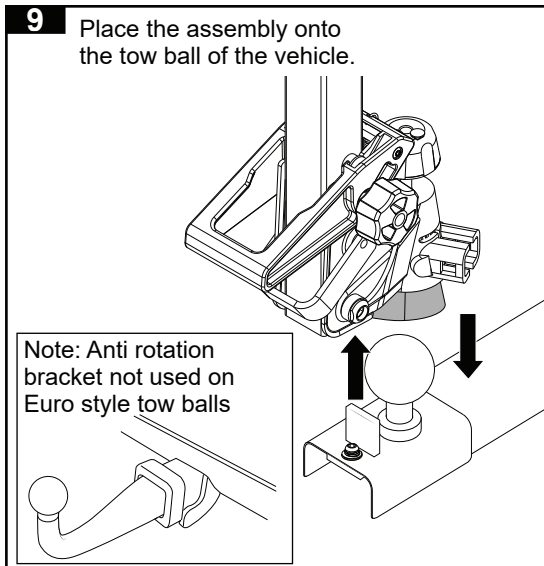
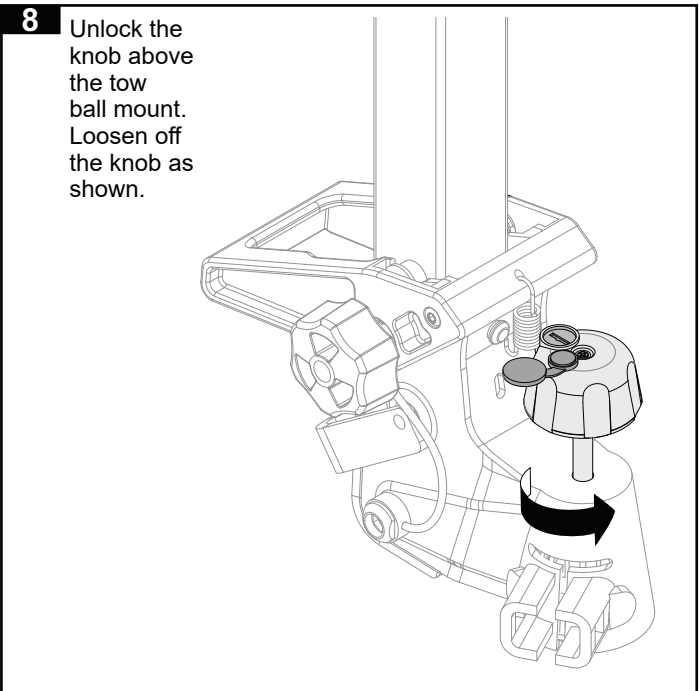
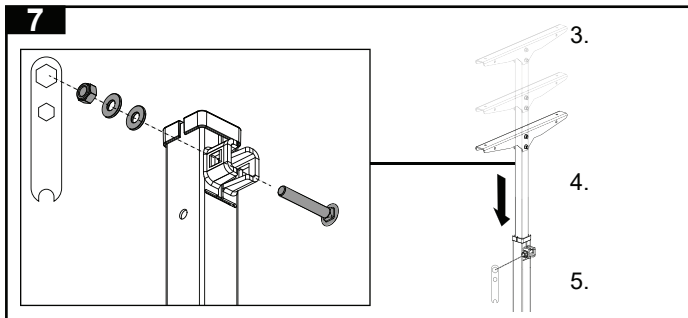
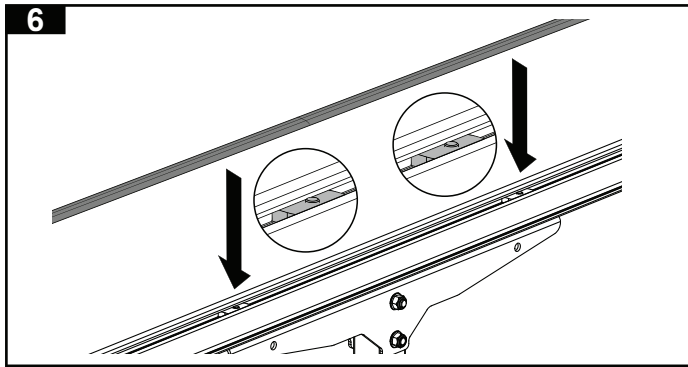
## RTL007 T-Load Towball Mount MK2

Item	Components	Qty	Part No.
1	End Cap	2	M153
2a	Crossbar	1	A517
2b	Rubber Strip	1	R011
3	T-section	1	-
4	800mm Support Bar	1	-
5	Hitch Body	1	-
6	M8 x 65mm Button Head Screw	3	-
7	M8 x 16mm Flat Washer	6	W043
8	M8 Nyloc Nut	3	N028
9	M12 x 24mm Flat Washer	4	W045
10	M12 Nyloc Nut	2	N034
11	M12 x 70mm Carriage Bolt	2	SP155
12	Spacer Cap	1	-
13	M6 x 32mm Dome Head Screw	2	B064
14	M6 Spring Washer	3	W004
15	M6 x 16mm Flat Washer	3	W031
16	M6 Nut	2	N057
17	Metal Key	2	-
18	Locking Pin	1	-
19	Spanner	1	-
20	Allen Key	1	-
21	Anti Rotation Bracket	1	-
22	Tow Ball Plate	1	-
23	Protective Mat	1	M711
24	Allen Key Short	1	H021
25	M6 x 16mm Sec Screw	1	B061
26	Instructions	1	R1707



# RHINO-RACK

## RTL007 T-Load Towball Mount MK2

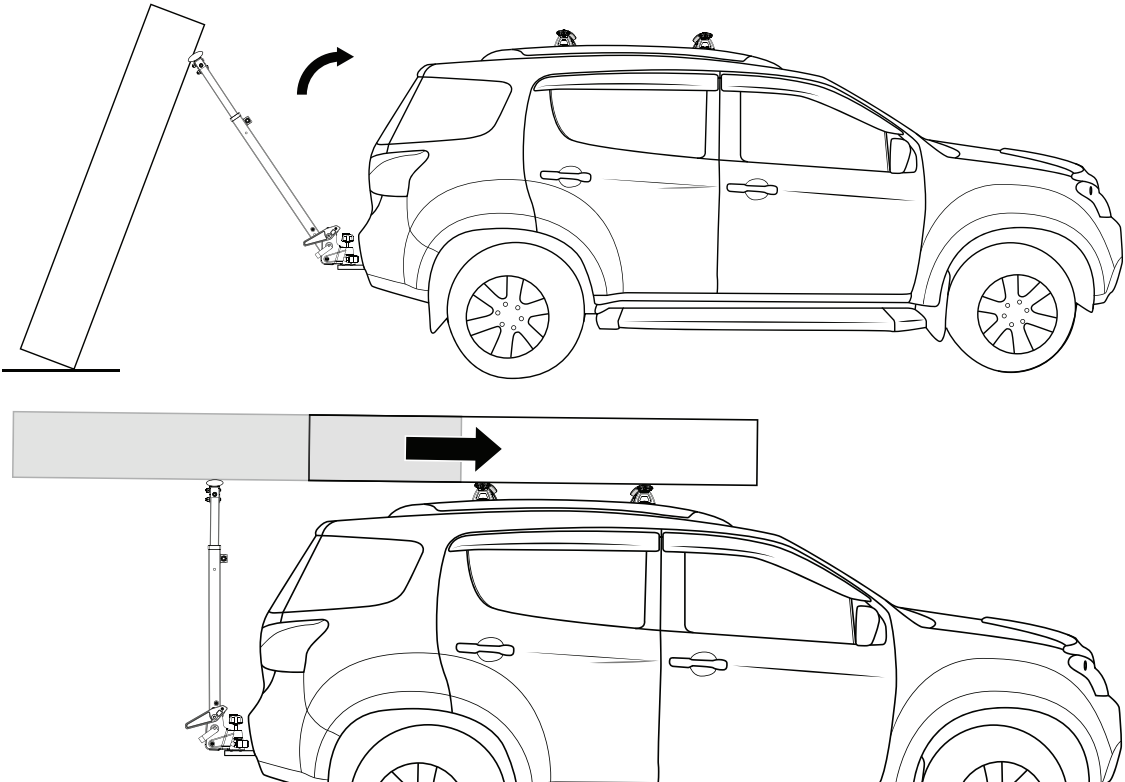


# RHINO-RACK

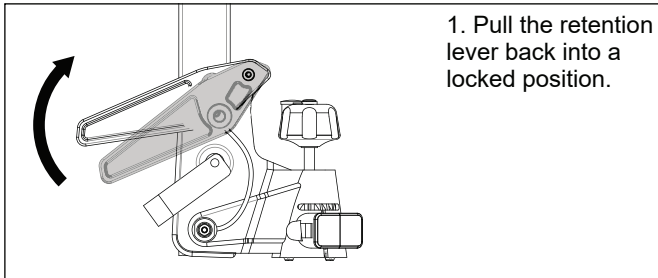
## RTL007 T-Load Towball Mount MK2

**12**

Note:  
Always use the included rubber mat. RTLK must be used when loading to stop load shifting/ sliding at this stage. Always assess the likelihood of slipping. Always access the conditions and if it is not safe, do not use this loader.



**13**

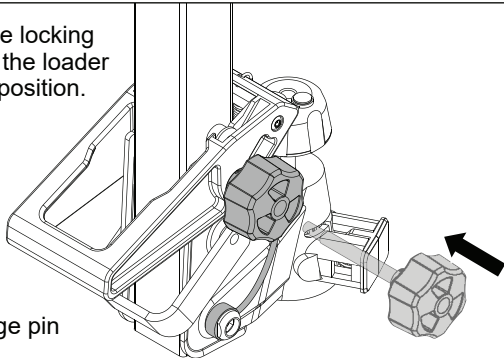


1. Pull the retention lever back into a locked position.

2. Replace the locking pin to secure the loader in an upright position.

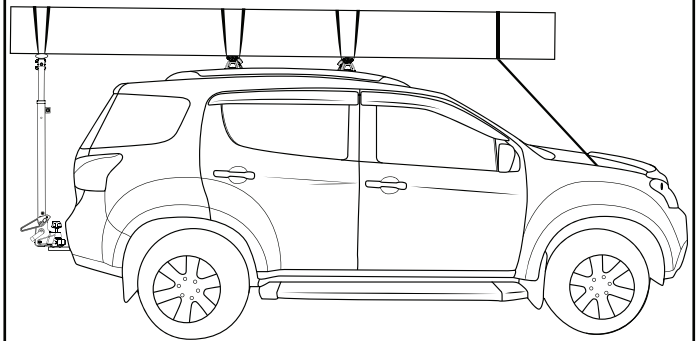


Always engage pin during use.



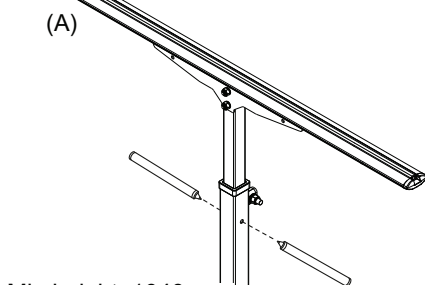
**14**

For long loads be sure to tie down appropriately. Note that tie downs are sold as separate. Be sure load is level and secure.



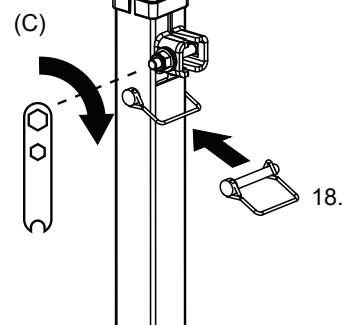
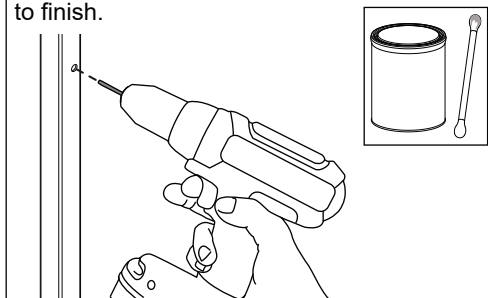
**Optional**

The loader can be set for a height suiting your vehicle. (A) Using a marker, create a reference either side of the support bar as shown. Drill through these references (B) and then seal with cold galvanising paint. Fix with locking pin (C).



Min height: 1040mm  
Max height: 1630mm

(B) Drill a pilot hole with a 3mm drill bit. Open up holes drilled with a 10mm drill bit to finish.



# RHINO-RACK

RTL007 T-Load Towball Mount MK2

