

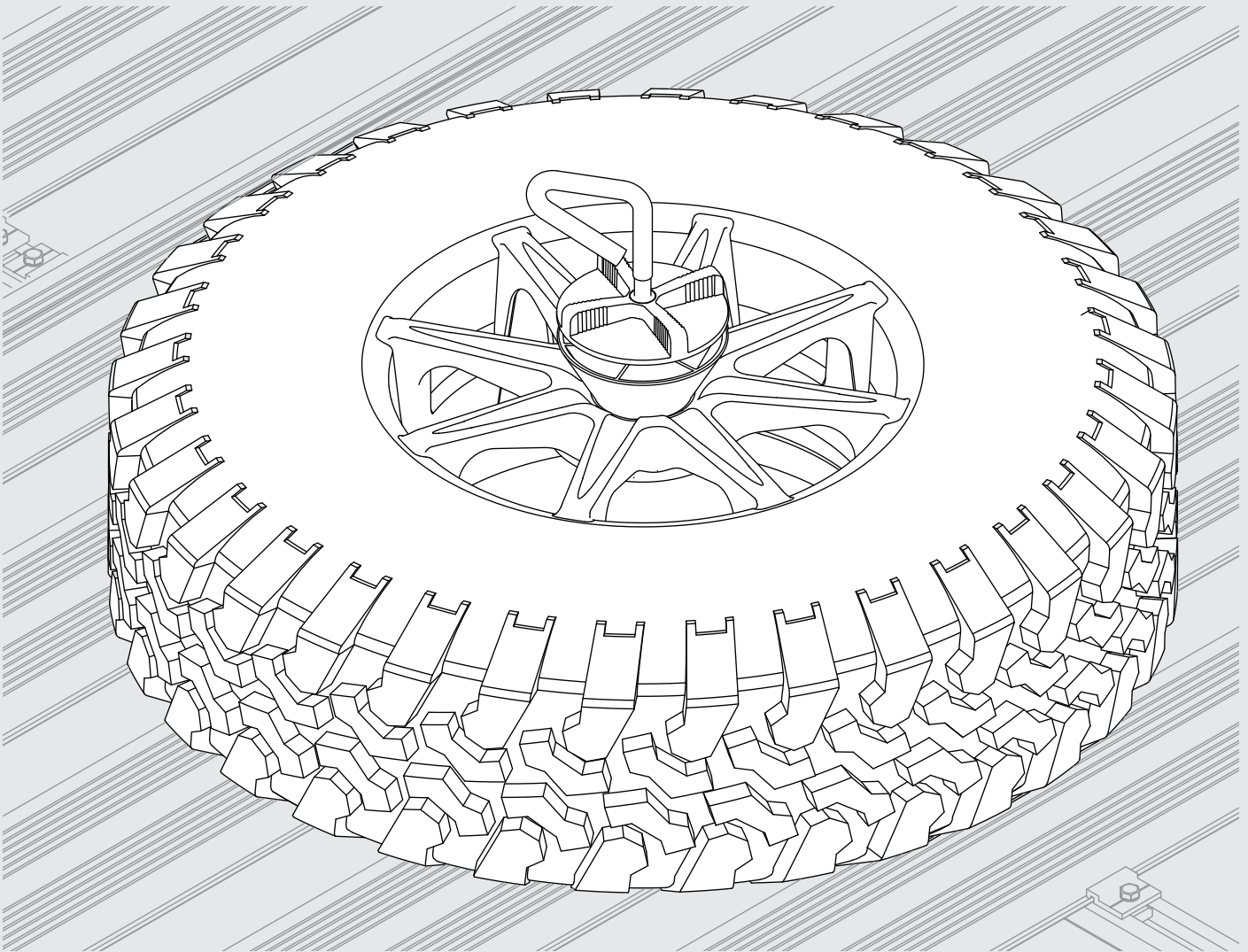
# RHINO-RACK®

## Spare Wheel Holder RSWH

**Important:**

1. Check the Rhino-Rack website to ensure you have the latest issue of these instructions.
2. Please refer to your fitting instruction to ensure that the accessory is installed in the correctly.
3. Check the contents of kit before commencing fitment and report any discrepancies.
4. Place these instructions in the vehicle's glove box after installation is complete.
5. These instructions must be followed for warranty to be upheld.

**Fit Time:** 10 min



## Carrying Capacity

Refer to vehicle manufacturer's carrying load rating and your vehicle specific Pioneer Supplement Sheet. Ensure that all loads are evenly distributed and that the centre of gravity is kept as low as possible.

## Warning

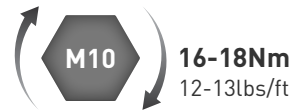
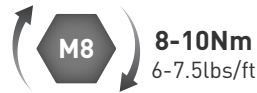
- Do not attempt to fit the accessory to your vehicle unless you fully understand these fitting instructions. Please direct any questions regarding fitting to the dealer from where the product was purchased.
- Off-road conditions can be much more rigorous. Extreme care must be taken in off road conditions.
- Accessory must be removed when vehicle is put through an automatic car wash.
- Always ensure you fasten your load securely.
- Only use non-stretch fastening ropes and straps

## In service maintenance checks

- All bolted connections should be checked after driving a short distance when you first install your roof racks & accessories.
- All bolted connections should be checked again at regular intervals (every 1000k/621mi) is recommended, depending on road conditions, usage, loads and distances travelled). All bolted connections should be checked each time they are re-fitted.
- Roof Racks and accessories should be cleaned and all screw threads should be lubricated at regular intervals. This will help avoid damage to your vehicles paint surface. Always clean the vehicle roof and the mounting brackets before fitting the roof bars.

### Torque Settings:

Unless stated otherwise in these instructions, all fasteners should be set to the following torque settings:



## Sensitivity to Crosswinds, Behaviour in Curves and Braking.

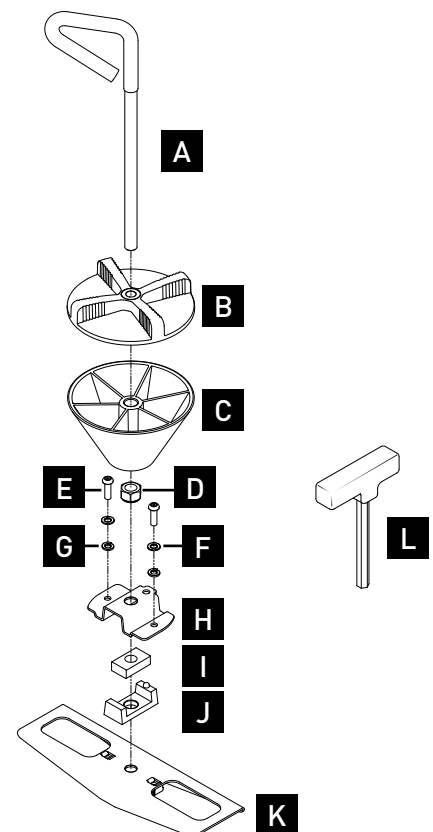
Remember that the handling characteristics of your vehicle will change when transporting a load on the roof. Exercise extreme care when transporting wind-resisting loads; special consideration must be taken into account when braking.

## Note for Dealers and Fitters

It is your responsibility to ensure these fitting instructions are given to the end user or client. These instructions remain the property of Rhino-Rack Australia Pty. Ltd. and may not be used or changed for any other purpose than intended.

## Parts List

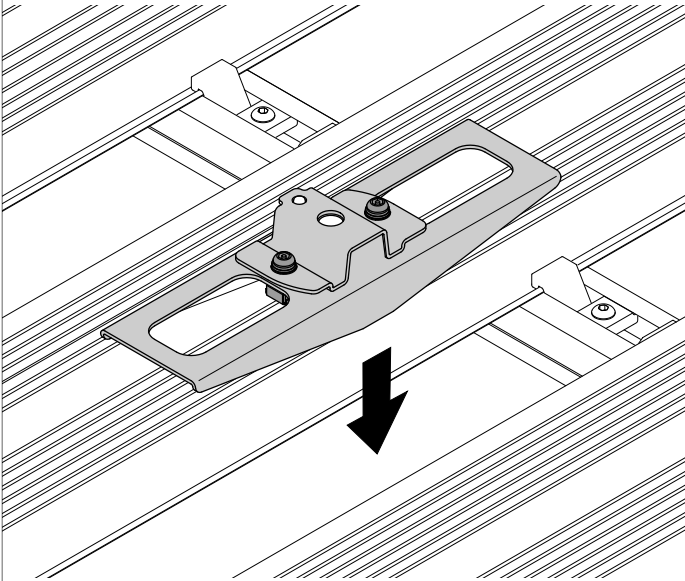
Item	Component Name	Qty
A	M12 Bar	1
B	Top Tensioning Plate	1
C	Wheel Cone	1
D	M12 Nyloc Nut	1
E	M6 x 20mm Button Head Security Screw	2
F	M6 Spring Washer	2
G	M6 x 12.5mm Flat Washer	2
H	Upper Bracket	1
I	M12 Channel Nut	1
J	M12 Channel Nut Retainer Block	1
K	Lower Bracket	1
L	5mm Allen Key & Handle	1
M	Fitting instruction	1



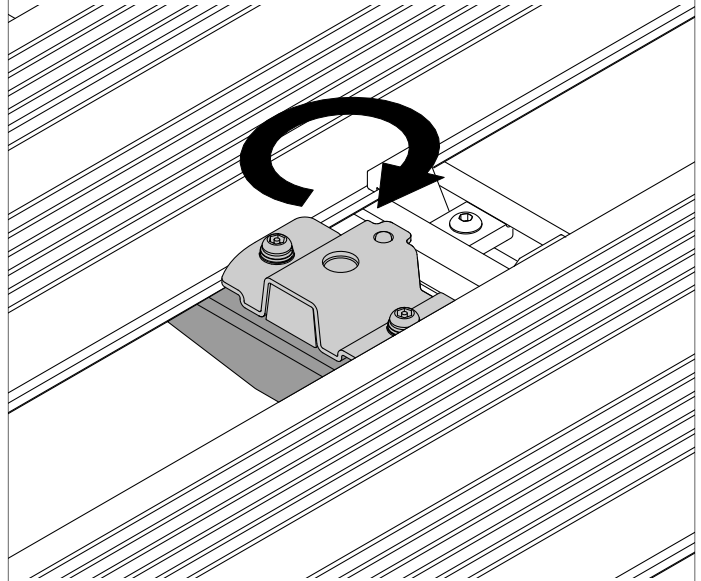
## Roof Rack Compatibility

- Pioneer Tradie
- Alloy Tray
- Pioneer Tray
- Pioneer Platform

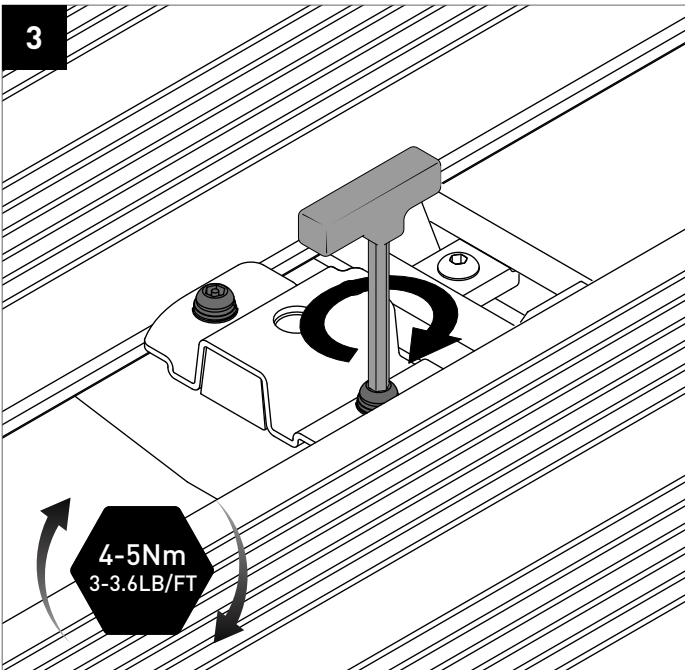
- 1** Insert the bracket assembly between a platform plank near a crossbar



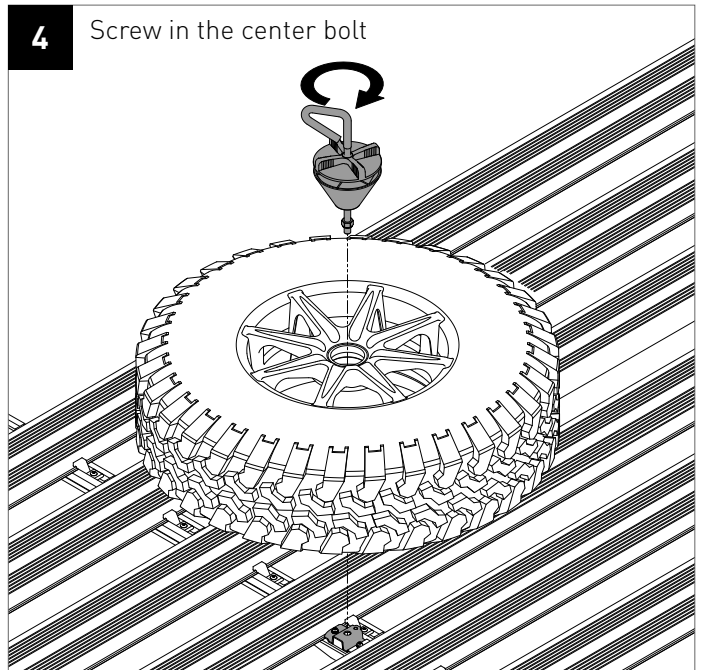
- 2** Tabs on the bracket must engage in the plank extrusions by rotating the assembly 90 degrees.



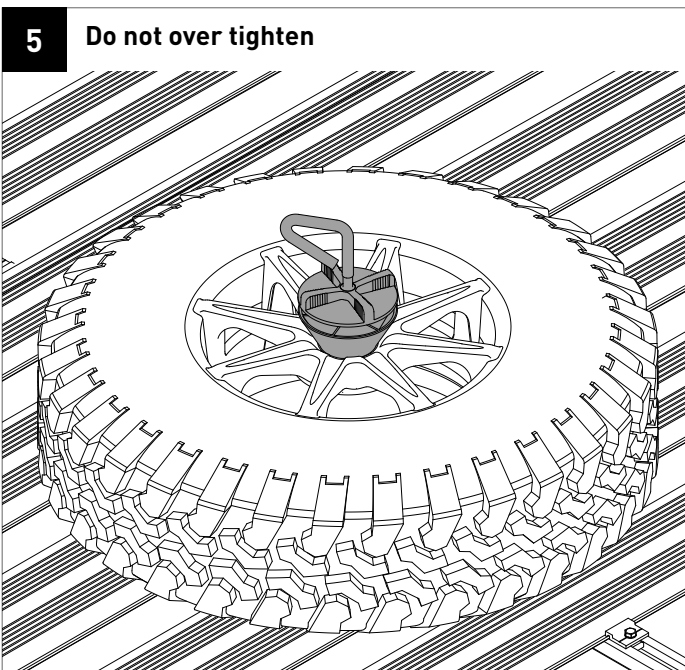
- 3**



- 4** Screw in the center bolt



- 5** Do not over tighten



- 6** The bracket assembly can be left on the roof tray while the wheel is removed. Store the wheel clamp in a safe place. *Note: When the wheel clamp assembly is removed nut must be 20mm from the end of the threaded handle.*

