

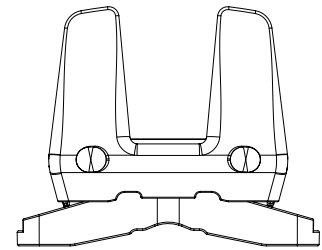
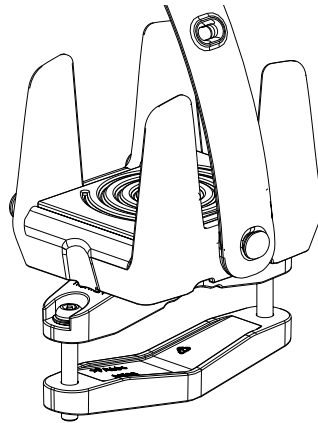


RHINO-RACK

RMPHU Rhino Multi Purpose Holder Universal

Place these instructions in the vehicle's glove box after installation is complete.

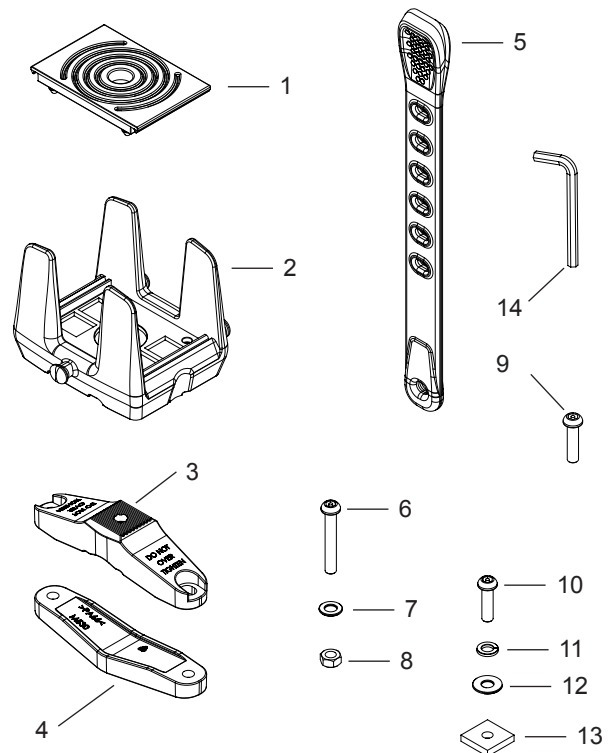
Important: Please read these instructions carefully prior to installation.
Please refer to your fitting instruction to ensure that the alloy tray is installed correctly.
Check the contents of this kit before commencing fitment and report any discrepancies.



Fitment to HD crossbars requires the use of:
HD-FK5

MAXIMUM LOAD CAPACITY 7kg

Item	Component Name	Qty	Part No.
1	Rubber Pad	2	M665
2	Multi Purpose Holder	2	M624
3	Universal Clamp - Upper	2	M529
4	Universal Clamp - Lower	2	M530
5	Rubber Strap	2	M666
6	M6 x 40mm Security Screw	4	B085-BLK
7	M6 x OD12.5 Flat Washer	4	W003-BLK
8	M6 Hex Nut	4	N022-BLK
9	M6 x 22mm Security Screw	2	-
10	M6 x 25mm Security Screw	2	B137
11	M6 Spring Washer	2	W004
12	M6 x OD16 Flat Washer	2	W031
13	M6 Plate Nut	2	N025
14	Allen Key	1	-
15	Fitting Instructions	1	R315



Care Instruction

Clean product prior to fitting the Multi-Purpose Holder.

Tools Required

Security Allen Key (provided in kit)

Rhino-Rack
3 Pike Street, Rydalmere,
NSW 2116, Australia.
(Ph) (02) 9638 4744
(Fax) (02) 9638 4822

Document No: R315
Prepared By: Nigel Greig
Authorised By: Chris Murty

Fit Time: 10min
Issue No: 03
Issue Date: 22/03/2017

These instructions remain the property of Rhinorack Australia Pty Ltd and may not be used or changed for any other purpose than intended.

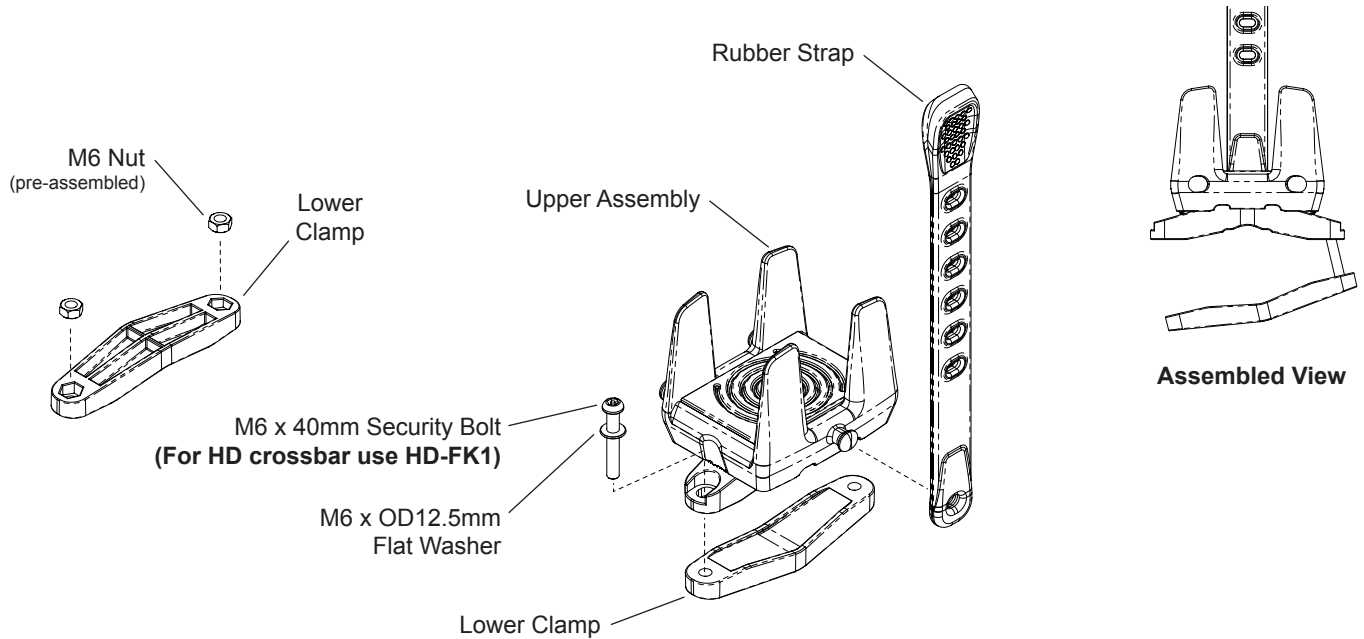


RMPHU Rhino Multi Purpose Holder Universal

UNIVERSAL FITMENTS

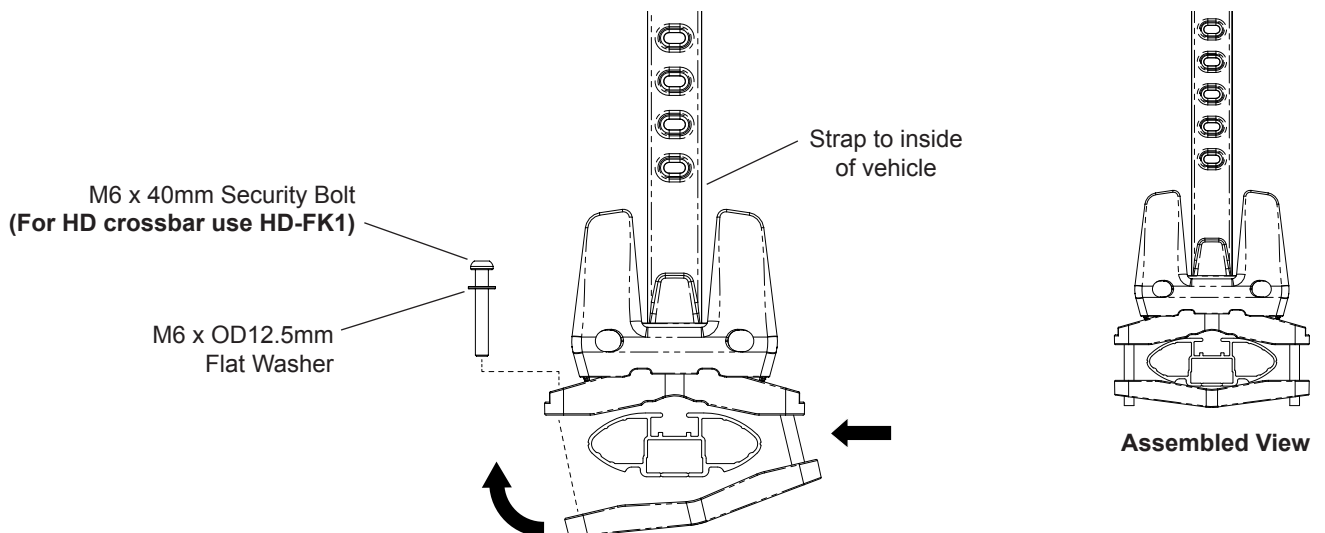
1 Fit Hardware to Universal Holder

Ensure the nuts are fitted securely to the under side of the lower clamp. Fit the rubber strap to the single post and loosely fit hardware to one side of holder only.



2 Fit RMPHU to Crossbar

Fit the RMPHU to the crossbar with the rubber strap on the inside of the vehicle. Swing the universal camp around the crossbar and fasten in position with hardware shown below.



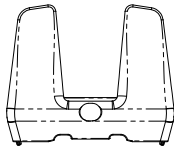


RMPHU Rhino Multi Purpose Holder Universal

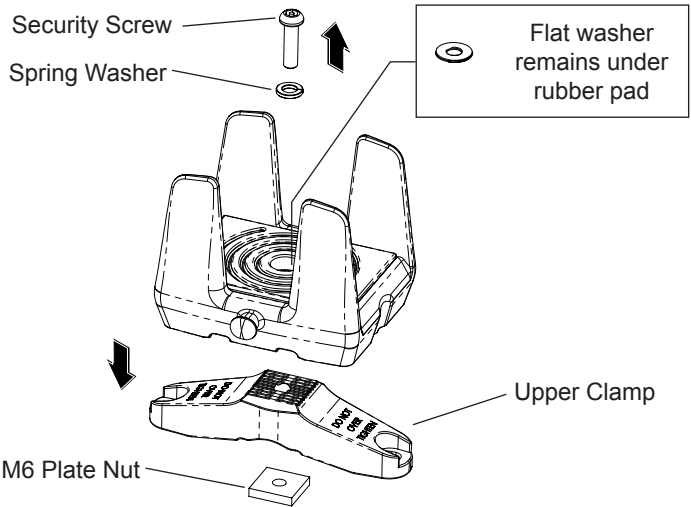
FITTING DIRECTLY TO CROSSBARS

A Remove Upper Clamp from RMPHU

Remove the upper clamp from the multi purpose holder using the allen key provided in kit.

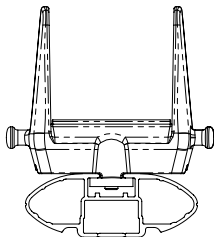


Finished Part

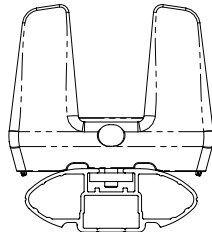


B Fit Hardware to RMPHU Referring to Guide Below

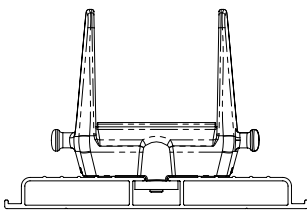
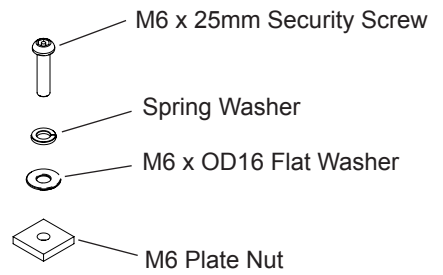
Loosely fit the hardware specified below to the RMPHU holder.



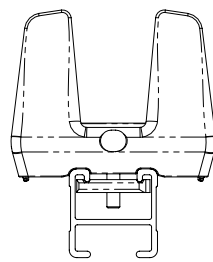
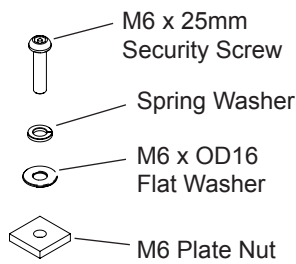
VA Crossbar
(in-line fitment)



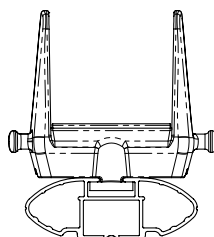
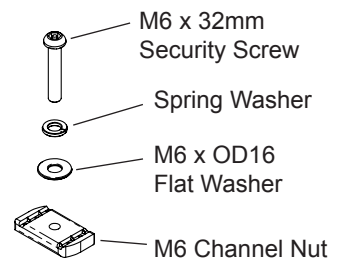
VA Crossbar
(perpendicular fitment)



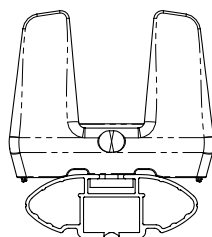
Pioneer Plank



HD Crossbar
(Fit Kit HD-FK5 Required)



Aero Crossbar
(in-line fitment)



Aero Crossbar
(perpendicular fitment)

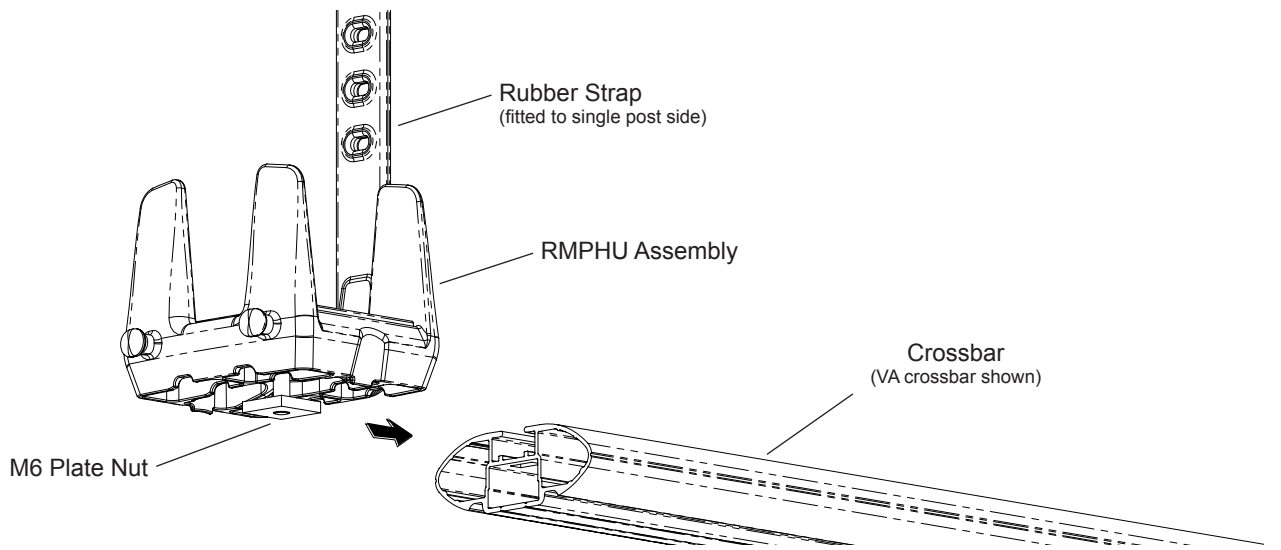




RMPHU Rhino Multi Purpose Holder Universal

C Fit Strap and Slide RMPHU Assembly Into Crossbar

Slide the RMPHU assembly into the crossbar/plank with the rubber strap on the inside of the vehicle. Make sure that the plate nut inserts into the C channel of the crossbar.



D Position RMPHU on Crossbar and Tighten

Slide the RMPHU assembly into position and tighten in place with the allen key provided in kit. For heavy duty crossbar fitments make sure that the channel nut rotates within the crossbar as shown below.

