

RHINO-RACK®

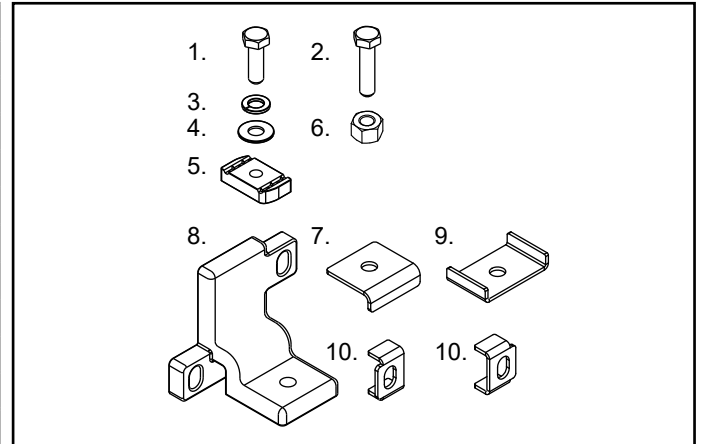
RLRM Rubber Ladder Mount

Important: Please read these instructions carefully prior to installation. Please refer to your fitting instruction to ensure that the Roof Rack System is installed in the correct location. Check the contents of kit before commencing fitment and report any discrepancies. Place these instructions in the vehicle's glove box after installation is complete.

- | | |
|---|--|
| 1. <input type="checkbox"/> Check Part No./Kit is correct | 2. <input type="checkbox"/> Read through instruction before installing |
| 3. <input type="checkbox"/> Fit roof rack accessory | 4. <input type="checkbox"/> Check and recheck all fasteners are secure |

Parts List:

Item	Components	Qty	Part No.
1	M8 x 25mm Hex Bolt	4	B101
2	M8 x 35 Hex Bolt	2	B102
3	M8 Spring Washer	2	W019
4	M8 x 17mm Flat Washer	6	W020
5	M8 Channel Nut	2	N003
6	M8 Nyloc Nut	4	N028
7	Flexible Crossbar Mount Top Plate	2	CA1583
8	Multi-slide Flexible Crossbar Mount	2	M826
9	Flexible Crossbar Mount Bottom Plate	2	CA1582
10	Flexible Crossbar Mount Oval Plate	4	CA1581
11	Instructions	1	R1083



Tools Required:

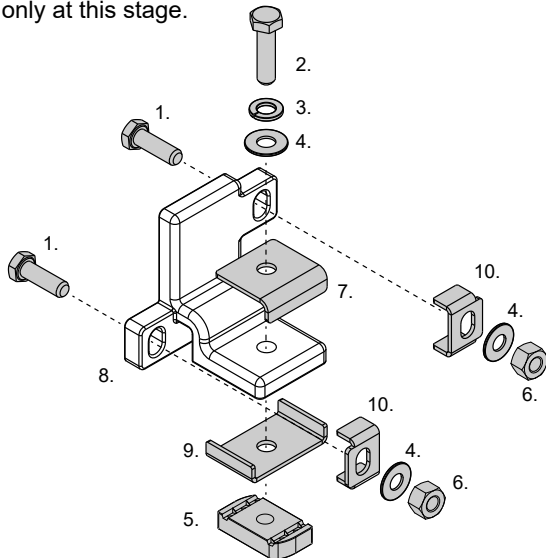
- 13mm Socket Wrench.

Note:

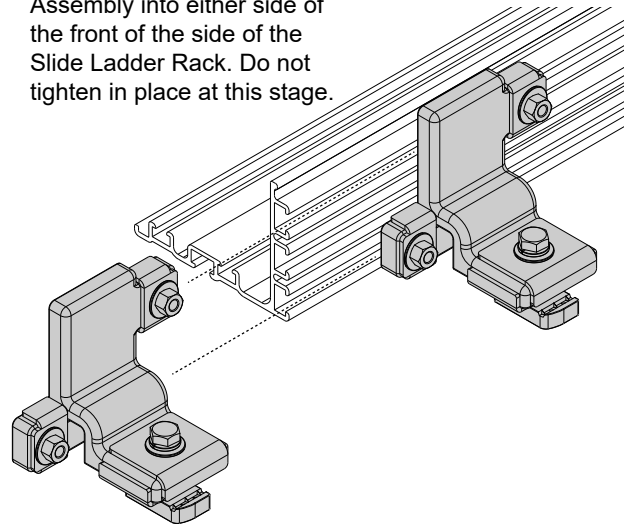
For use with the Rhino Multi-slide & CSL Kits. Kits are sold as separate.

Instructions

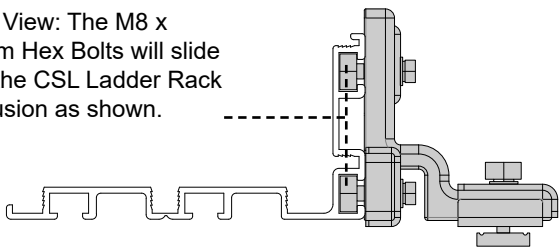
- Assemble the Rubber Mounts as shown. Finger tighten only at this stage.



- Slide the Rubber Mount Assembly into either side of the front of the side of the Slide Ladder Rack. Do not tighten in place at this stage.

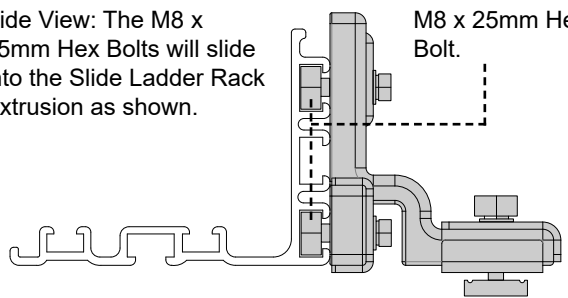


Side View: The M8 x 25mm Hex Bolts will slide into the CSL Ladder Rack Extrusion as shown.



Side View: The M8 x 25mm Hex Bolts will slide into the Slide Ladder Rack Extrusion as shown.

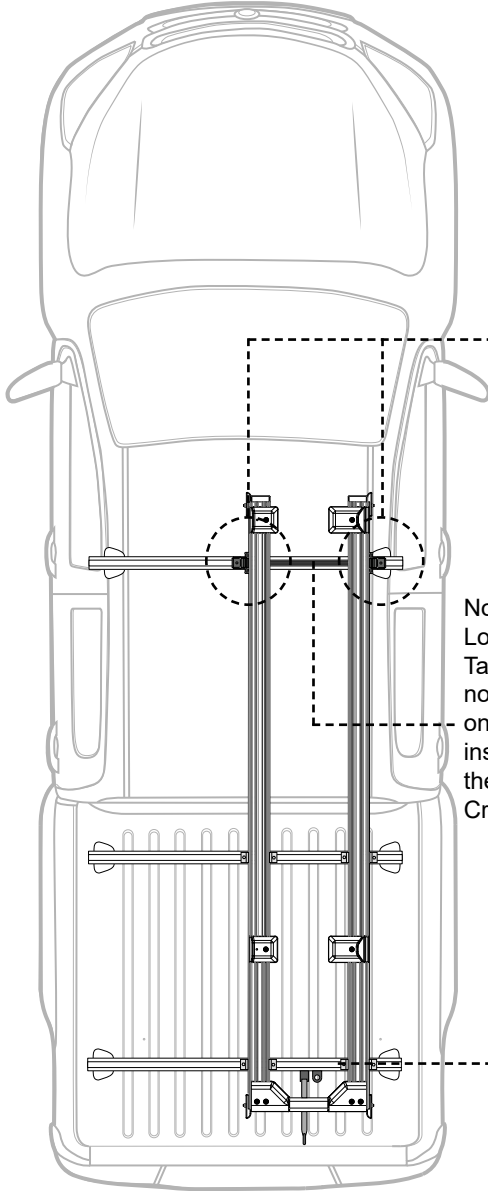
M8 x 25mm Hex Bolt.



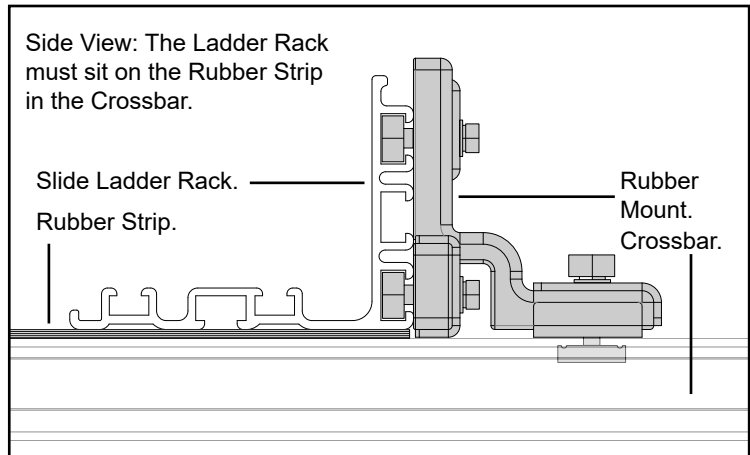
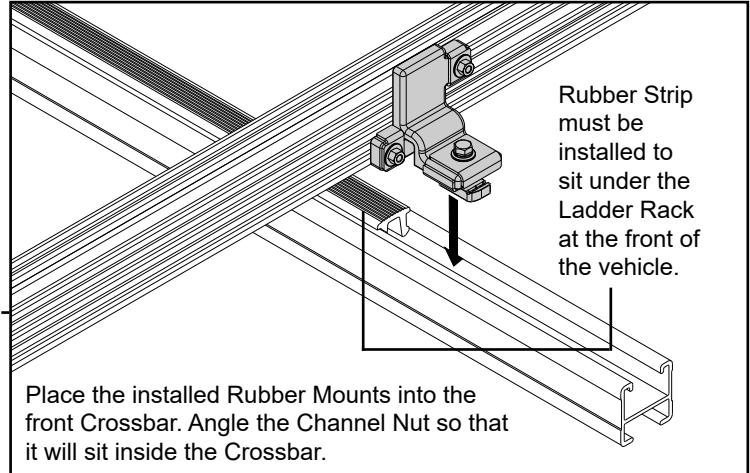


RLRM Rubber Ladder Mount

3 Place the Ladder Rack onto the Roof Racks. Use the Locking Tabs to secure the rear and middle of the Rack to the Crossbars as per the Slide Ladder Rack instructions. Install the front of the Rack to the vehicles front Crossbar as shown below.

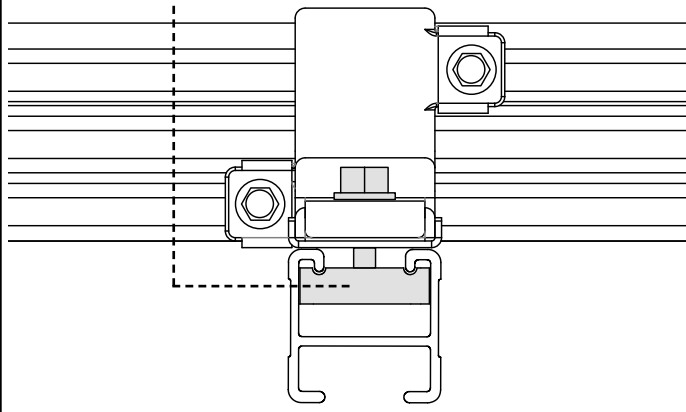


Note:
Locking
Tabs are
not used
on the
inside of
the front
Crossbar.



Fix the Ladder Rack to the rear and middle Crossbar as per Slide Ladder Rack instructions.

4 Be sure the Channel Nut is located correctly across the Crossbar. Tighten with a 13mm Socket Wrench.



5 Tighten the Rubber Mount to the Slide Ladder with a 13mm Socket Wrench. Be sure all fixtures on the Rack System are secure before use.

