



# RHINO-RACK

Aerodynamic & Heavy Duty Roof Rack Systems

**CONTROLLED**

## RFMRL Rhino Commercial - Fixed Mount Adaptor Kit for All RL Type Legs RL110S, RL150S, RL210S & RL280S

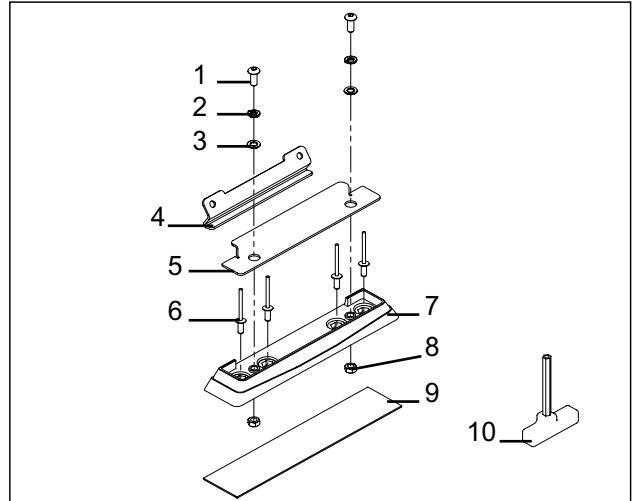
Place these instructions in the vehicle's glove box after installation is complete.

**Important:** Please read these instructions carefully prior to installation.  
Please refer to your fitting instruction to ensure that the roof racks are installed in the correct locations.

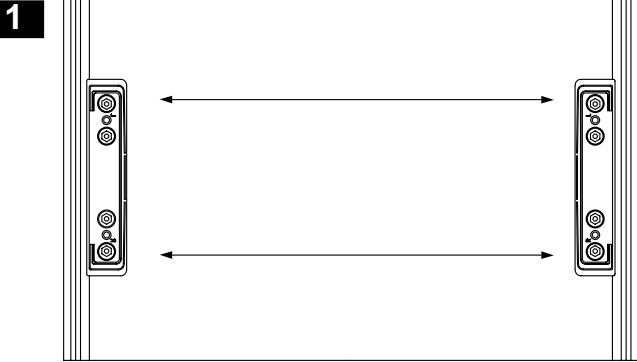
### Parts List

Important: Check the contents of kit before commencing fitment and report any discrepancies.

Item	Component Name	Qty.	Part No.
1	M6 x 16mm Security Screw	4	B061
2	M6 Spring Washer	4	W004
3	M6 x 12.5mm Flat Washer	4	W003
4	Fixed Mount Leg Bracket	2	C069
5	Fixed Mount Base Plate	2	C068
6	18mm Rivet 01661-00619	8	H008
7	Fixed Mount Pad	2	M040
8	M6 Hex Nuts	4	N022
9	55mm x 220mm Black PVC Foam	2	C135
10	5mm Security Allen Key & Handle	1	H011 & H013
11	Fitting Instruction	1	RR57

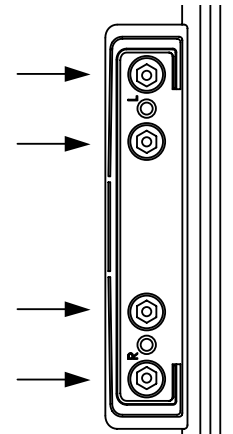


Place the fixed mount pads onto the roof with the cut out section facing outwards. Position the pads so that the pads are parallel to each other, in line and square across the roof.



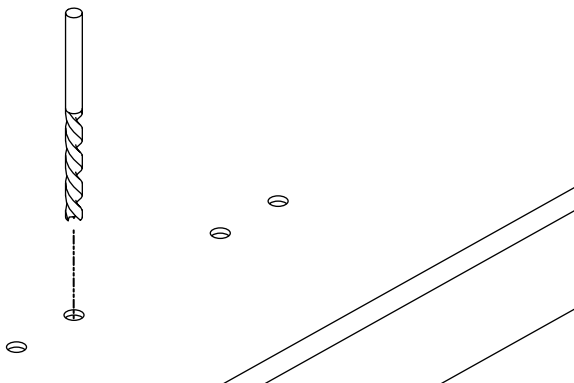
With the pad in position mark the four rivet holes.

**2**



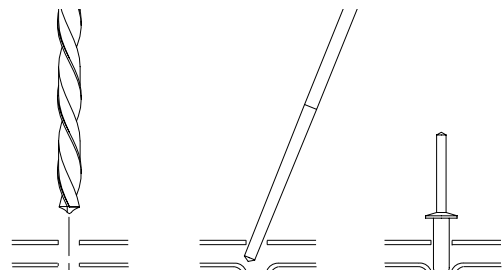
Remove the pads, centre punch the centres. Drill all holes using a 5.0mm drill bit. When drilling, a drill stop should be used to ensure that only the outer roof panel is drilled.

**3**



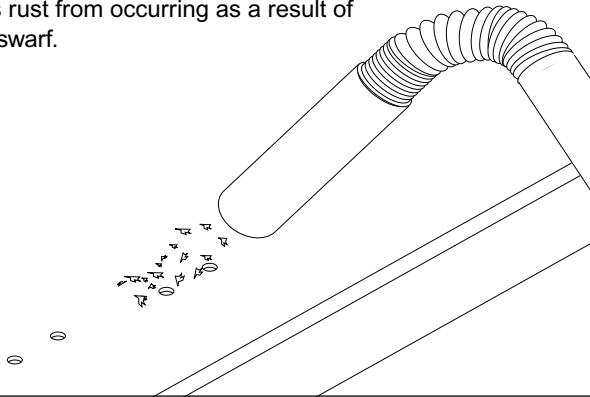
If a second panel is encountered, the panel must be punched down until the rivet is fully inserted. In this case drill the second panel then using a centre punch or pin punch, countersink the material. Check that there is room for the rivet. Allow for the thickness of the pad where the rivets are seated. Remove the rivet.

**4**



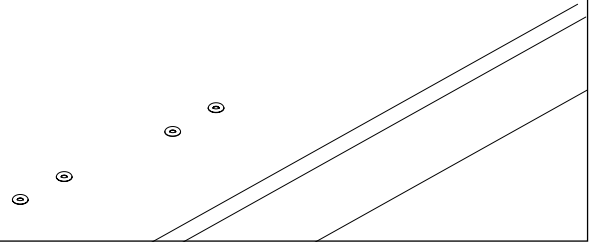
Make sure to remove all swarf with a vacuum cleaner. This prevents rust from occurring as a result of residue swarf.

**5**



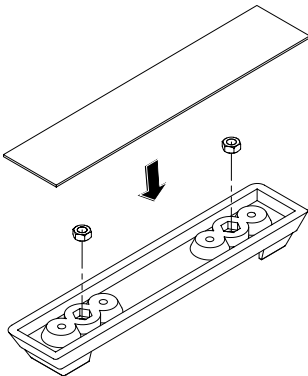
Rust preventative such as cold gal must be painted around all holes, when dry, apply a full ring of Selleys Butly Mastic around the holes.

**6**



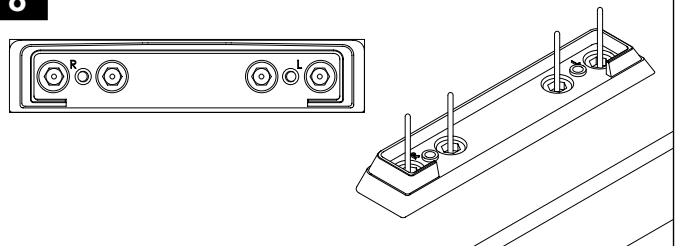
Assemble the M6 nuts into the back of the pad, peel off the paper and stick the foam gasket to the pad. Trim the excess foam from around the pad and punch the rivet through the gasket.

**7**



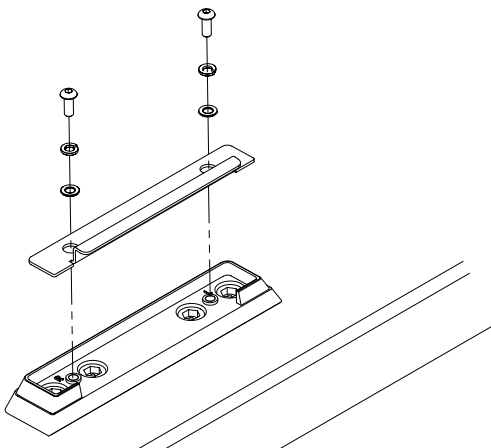
Clean the gasket face to remove dirt. Place the pad onto the roof and insert the four rivets through the pad and into the roof. **Check that the pad cut out is facing outwards** and the rivets are seated in the pad. Using either a pneumatic or concertina type rivet gun, rivet the pads into place starting from the centre and working out. Check that all rivets are seated firmly into the pad.

**8**



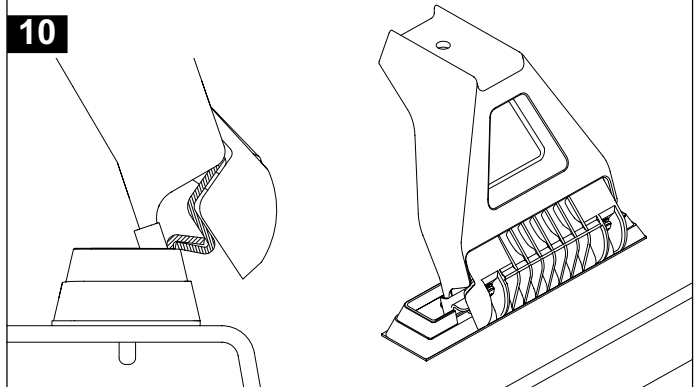
Place the fixed mount bracket into the pad location spigots. Assemble the spring washer and flat washer onto the M6 screws. Insert the screws through the pad spigot holes and tighten to secure the fixed mount base plate.

**9**



Assemble the strap provided onto the leg assembly. Discard the existing strap. Install the rubber boot then locate the leg against the fixed mount leg bracket. Rotate the strap and cover so that the strap is fully located under the bracket. For tightening and checking of the leg and crossbar please refer to the Rhino gutter mount leg fitting instruction.

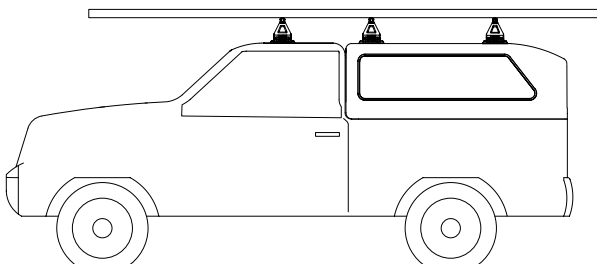
**10**



**Please Note:**

The RFMRL Rhino Commercial Fixed Mount Adaptor Kit is to be fitted in conjunction with a Rhino-Rack front and rear canopy bar.

For all other information please refer to the Recommendations section of the Rhino-Rack gutter mount fitting instruction.



Rhino-Rack  
3 Pike Street, Rydalmere,  
NSW 2116, Australia.  
(Ph) (02) 9638 4744 (Fax) (02) 9638 4822

Document No: RR-57  
Issue No: 02  
Issue Date: 25/08/2003

Prepared By: Sheila Oliveira  
Authorised By: Gary England

These instructions remain the property of Fetovu Pty Ltd T/as Rhino-Rack and may not be used or changed for any other purpose than intended.