



RHINO-RACK
Aerodynamic & Heavy Duty Roof Rack Systems

Rhino-Rack Camping Chair

WARNING : Chair must not be used without clips secured!



Maximum load capacity : 150kg

Rhino-Rack
3 Pike Street, Rydalmere,
NSW 2116, Australia.
(Ph) (02) 9638 4744
(Fax) (02) 9638 4822

Issue No: R047
Prepared By: Andy Wana
Authorised By: Gary England

Issue No: 01
Date: 16/11/2010

These instructions remain the property of Rhino-Rack Australia Pty Ltd and may not be used or changed for any other purpose than intended.

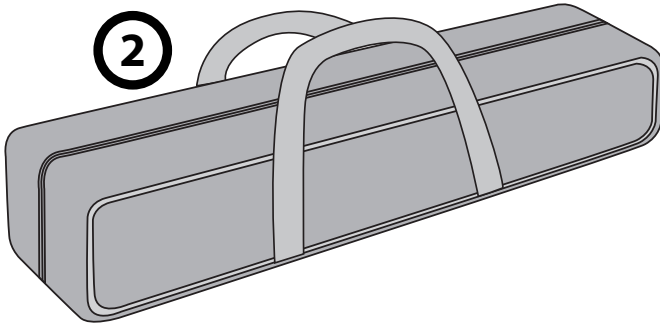


Rhino-Rack Camping Chair

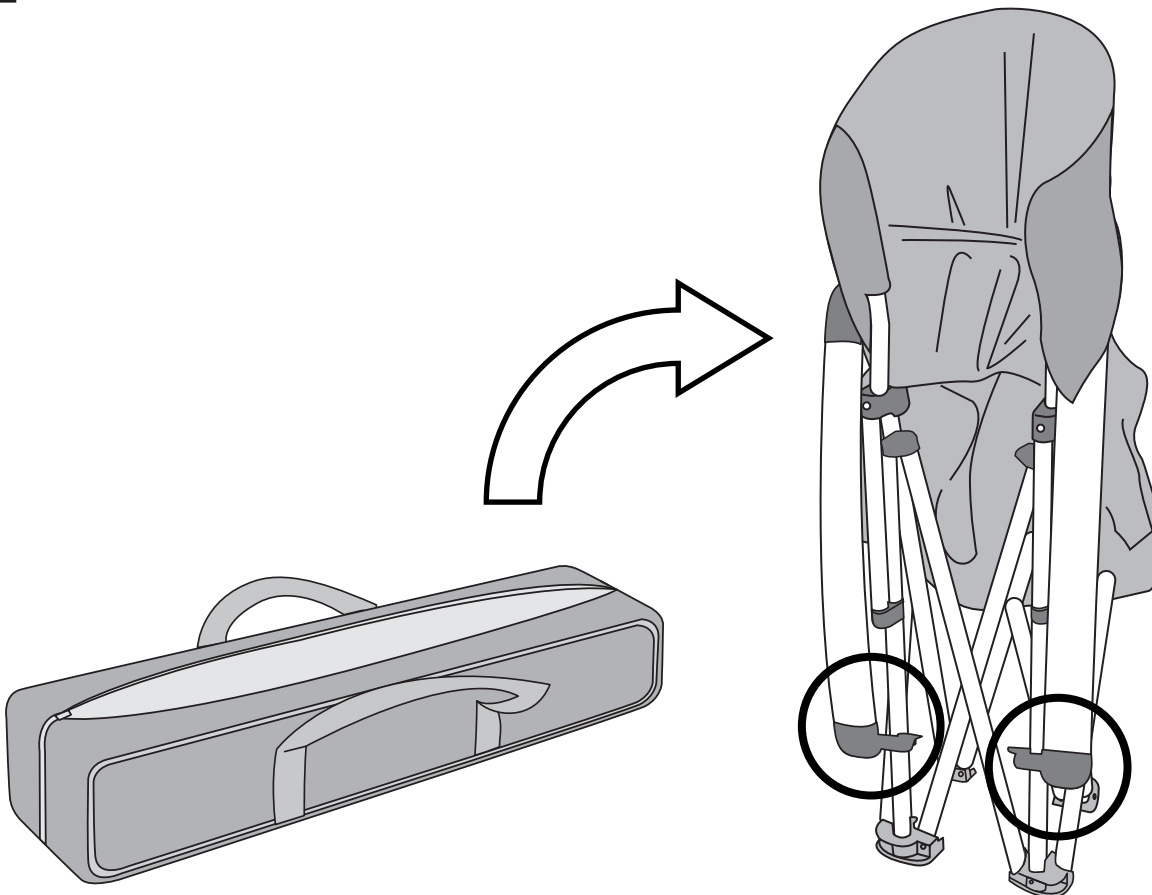
Parts List

Item	Component Name	Qty	Part No.
1	Camping Chair	1	
2	Camping Chair Bag	1	
3	Fitting Instruction	1	R047

MAX. weight : 150kg



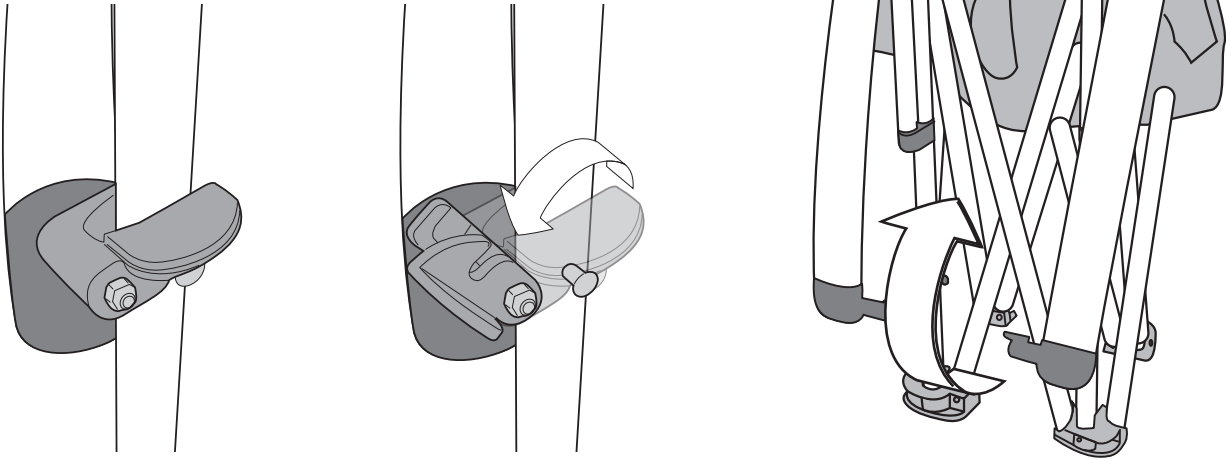
1



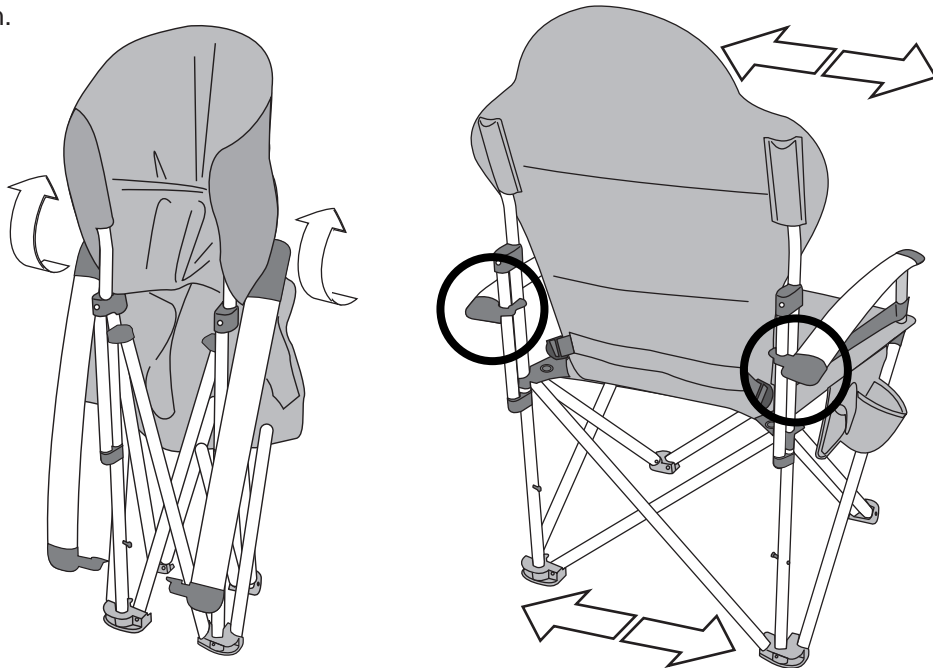


Rhino-Rack Camping Chair

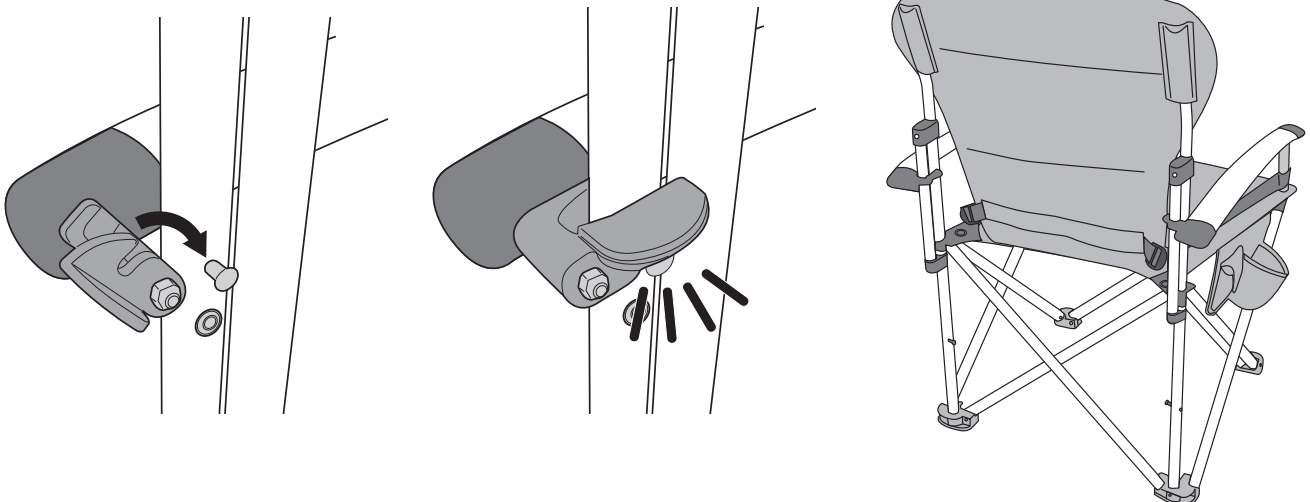
2 Unclip arm rests from chair legs as shown.



3 Fold chair open.



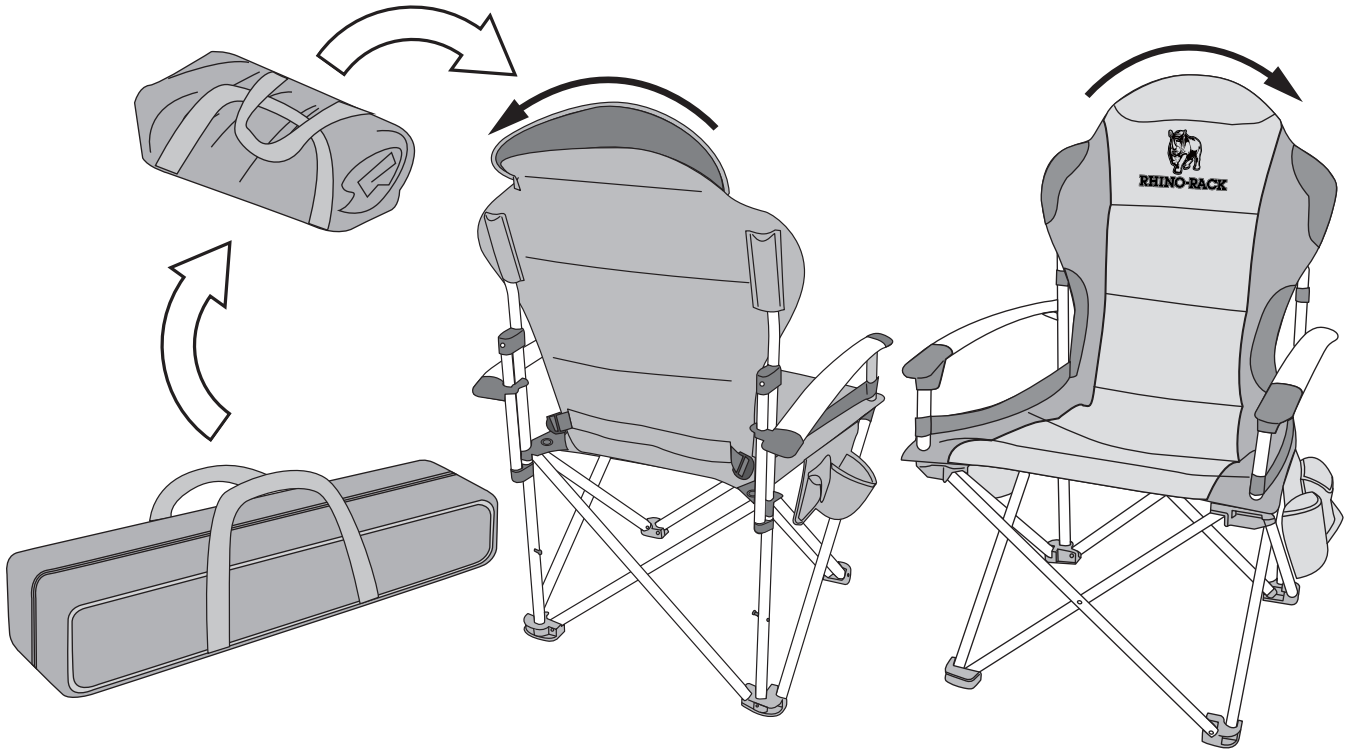
4 Clip arm rests to the rear chair legs.





Rhino-Rack Camping Chair

5 Fold the camping chair bag as shown. Insert into headrest area on the chair.



6 Pull the straps on the side for extra lumbar support on the lower back.

