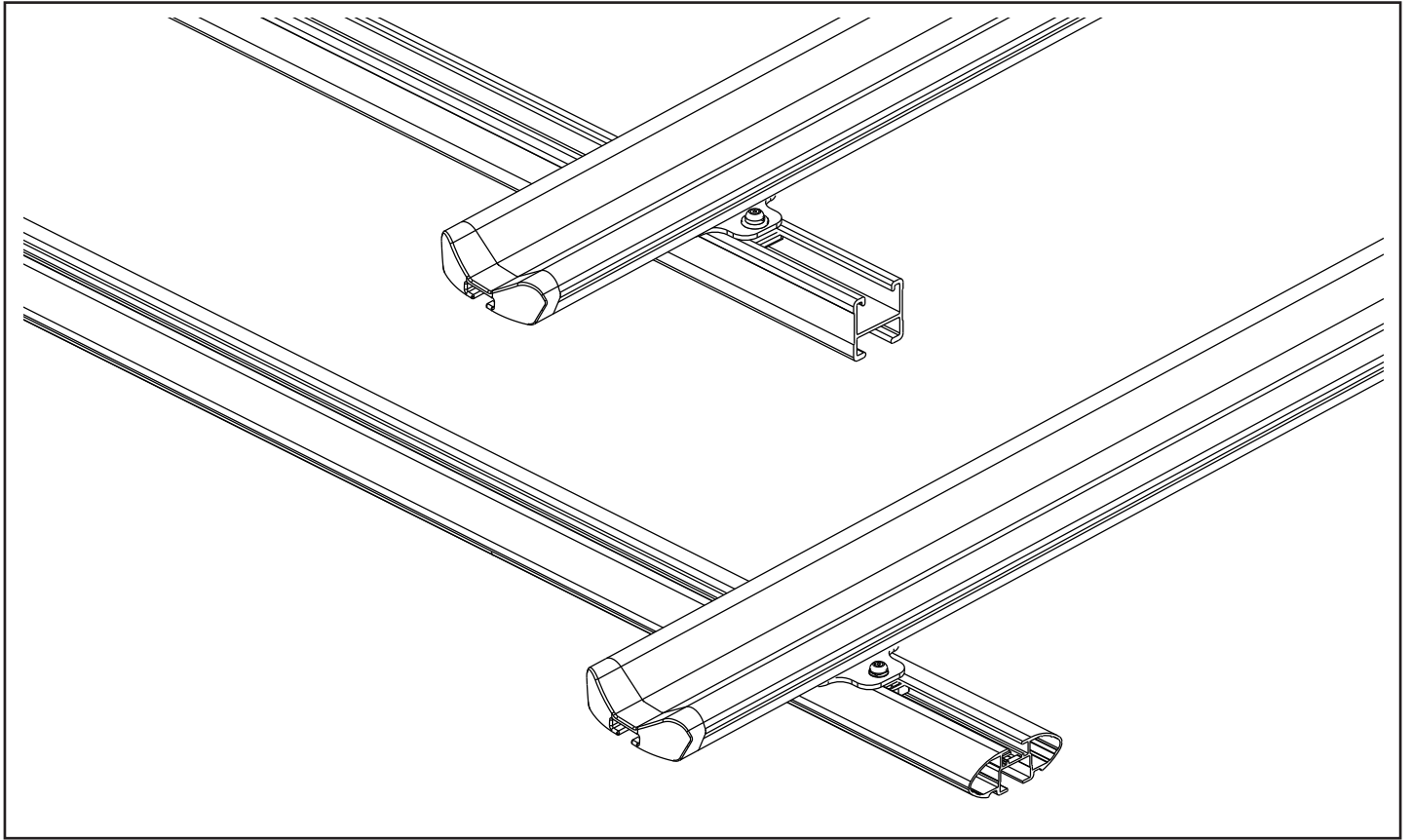




RHINO-RACK

Rhino-Rack RBC035/036 HD/ VA Fit Kit Rear Bar (RBCA026)

RBCA026



Parts List

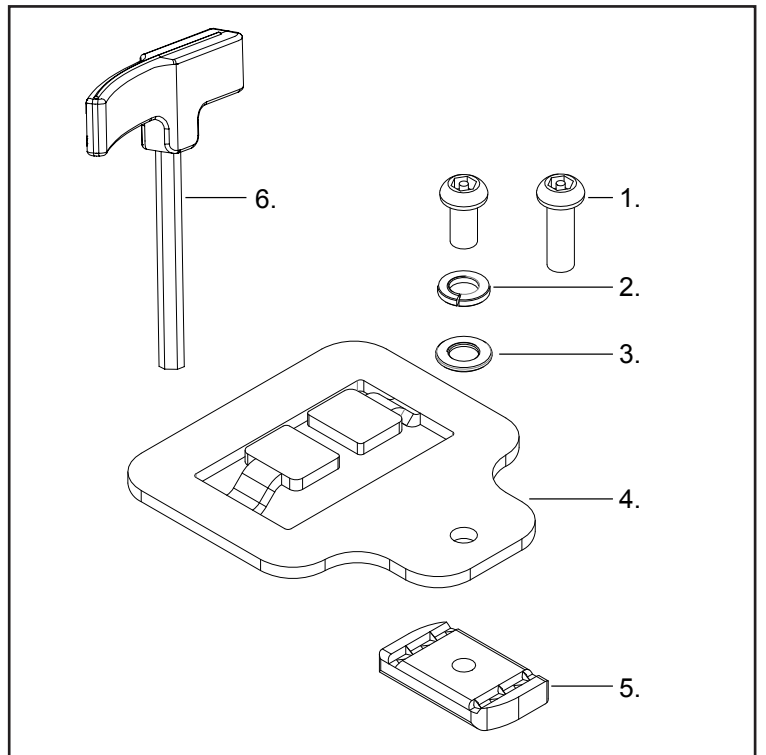
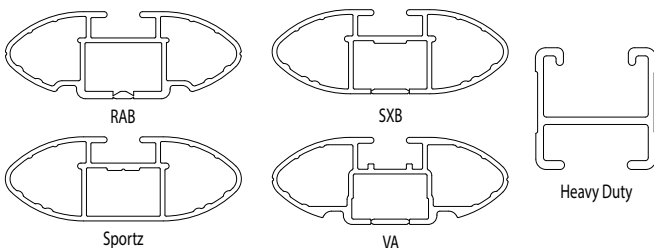
RBCA026 to be used in conjunction with RBC035 & RBC036

Item	Component Name	Qty	Part No.
*1a	M6 x 12mm Security Bolt	1	B148
*1b	M6 x 20mm Security Bolt	1	B062
2	M6 Spring Washer	1	W004
3	M6 Flat Washer	1	W031
4	RBCA Bracket	1	CA1254
5	M6 Channel Nut	1	N002
6	Torque Allen Key	1	TORKEY-S
7	Fitting Instruction	1	R361

*M6x20mm Security to be used with HD Bars

*M6x12mm Security to be used with VA Bars

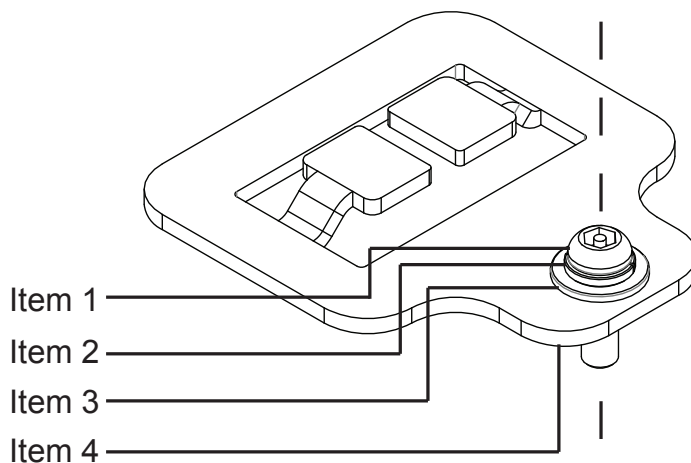
Note: RBCA026 is compatible with the following Bars



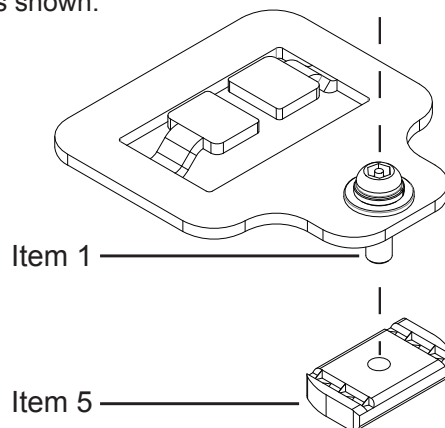


Rhino-Rack RBC035/036 HD/ VA Fit Kit Rear Bar (RBCA026)

1 Slide Item 1 through Item 2 and Item 3. These will then be placed through Item 4 as shown.

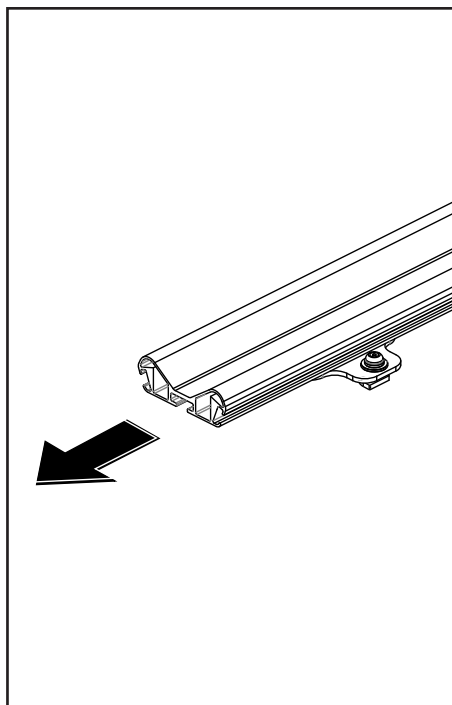
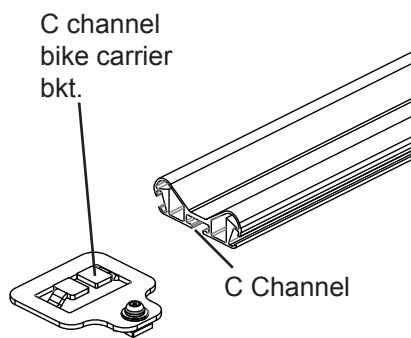


2 Loosely attach Item 5 as shown.

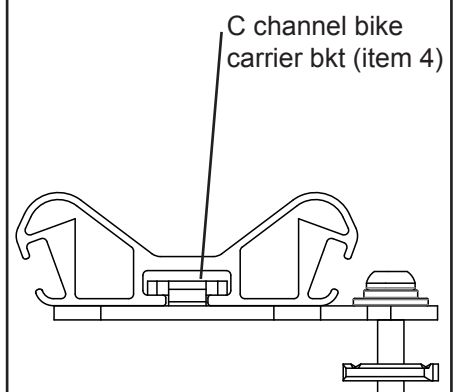


3 Slide Bike Carrier onto Item 4 as shown.

Align Item 4 C channel bike carrier bkt with the bike carrier C channel.



END VIEW: Bike Carrier will slide onto C Channel bkt .



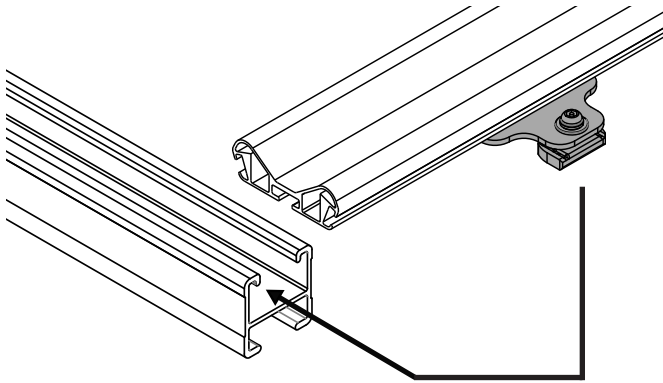


Rhino-Rack RBC035/036 HD/ VA Fit Kit Rear Bar (RBCA026)

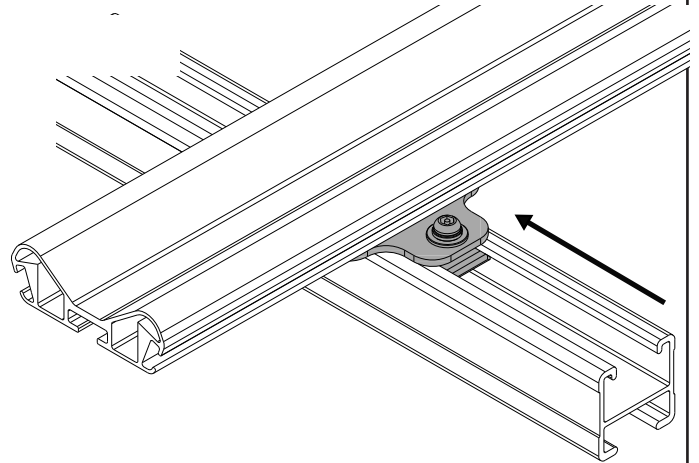
IMPORTANT

Heavy Duty bars (HD) will refer to steps 4a,b. VA,Sportz, SXB and RAB will use steps 5 a,b.

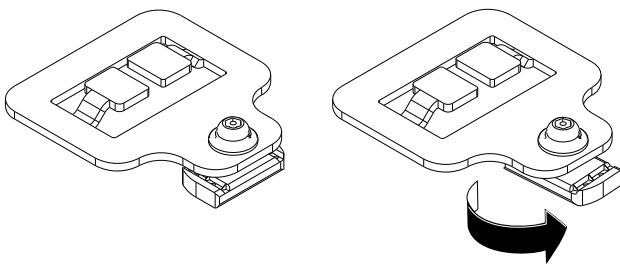
4a HD BAR ONLY: Slide Item 5 into the HD Bar C Channel.



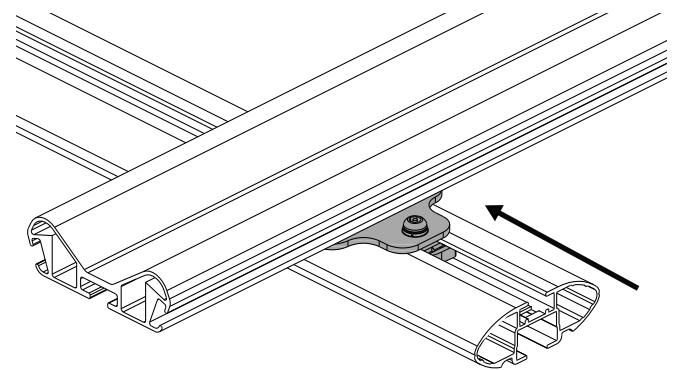
4b Item 5 will slide into HD bar as shown.



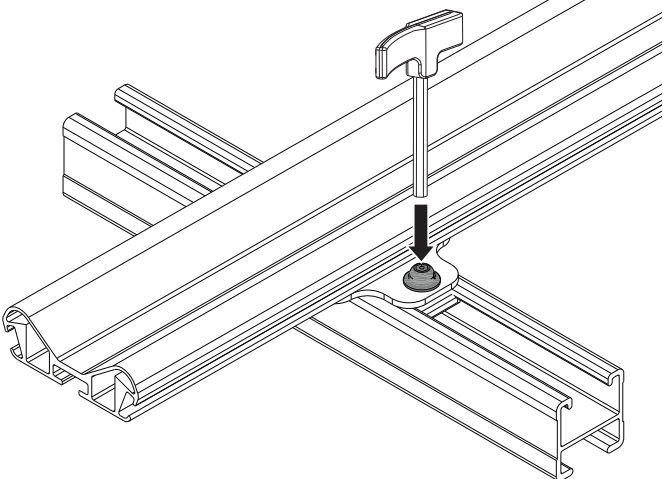
5a Twist Item 5 as shown.



5b Item 5 will slide into bar as in previous step.



4a Place Item 6 as shown



4b Using Item 6, tighten Item 1 to 4-5Nm.

