



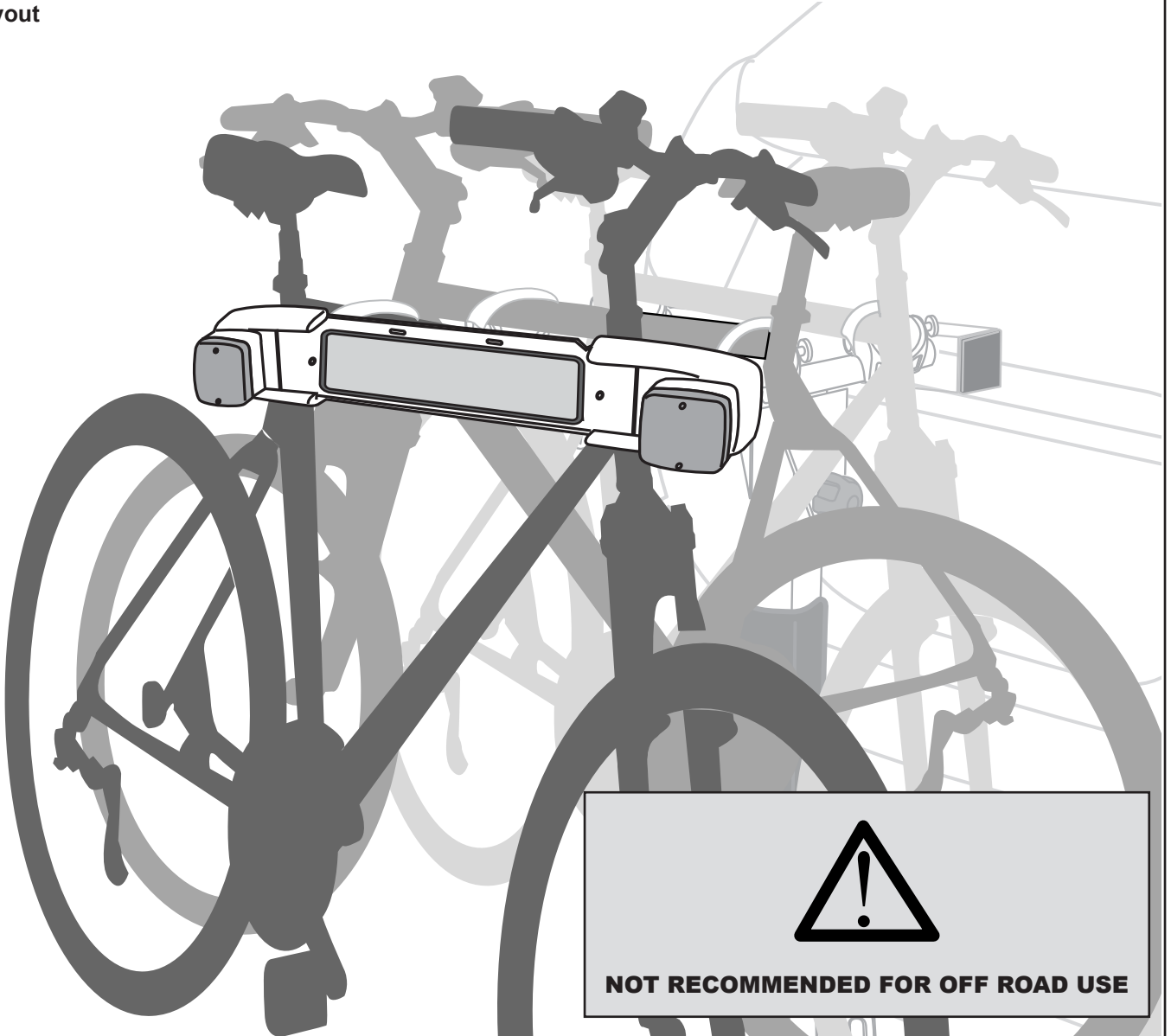
RHINO-RACK

Aerodynamic & Heavy Duty Roof Rack Systems

Rhino-Rack Number Plate Holder (RBCA011)

Important: Please read these instructions carefully prior to installation.
Please refer to fitting instruction to ensure the number plate holder is installed in the correct locations.
Check the contents of kit before commencing fitment and report any discrepancies.
Place these instructions in the vehicle's glove box after installation is complete.

Layout



Important Information

Please remove number plate holder and bike rack when putting vehicle through an automatic car wash.

Note for Dealers and Fitters

It is your responsibility to ensure this fitting instruction is given to the end user or client

Rhino-Rack
3 Pike Street, Rydalmere,
NSW 2116, Australia.
(Ph) (02) 9638 4744
(Fax) (02) 9638 4822

Document No: RR238
Prepared By: Andy Wana
Authorised By: Gary England

Issue No: 01
Issue Date: 16/10/2009

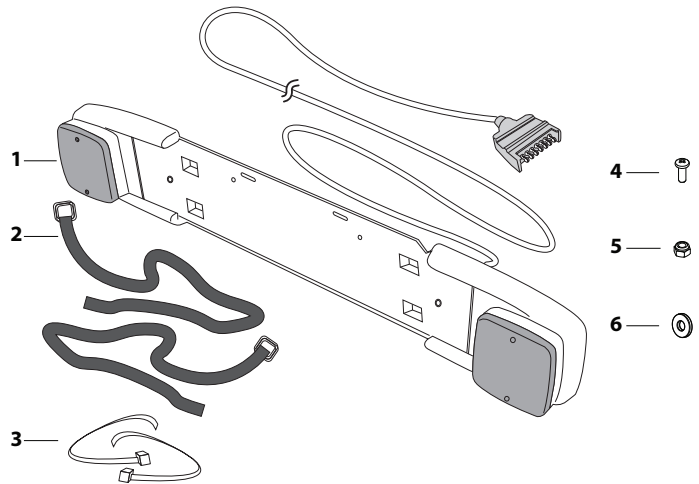
These instructions remain the property of Rhino-Rack Australia Pty Ltd and may not be used or changed for any other purpose than intended.



Rhino-Rack Number Plate Holder (RBCA011)

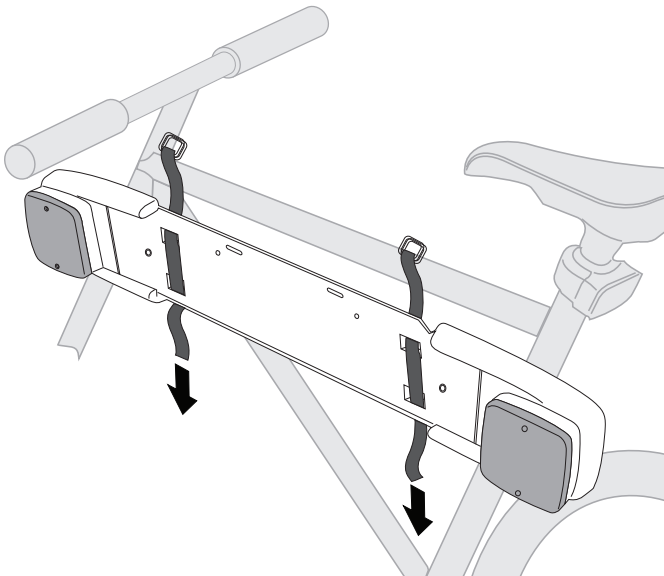
Parts List

Item	Component Name	Qty
1	Number Plate Holder	1
2	Velcro Strap	2
3	Zip/Cable Tie	3
4	M6 X 16mm Bolt	2
5	M6 Flat Washer	4
6	M6 Nyloc Nut	2
7	Fitting Instruction	1

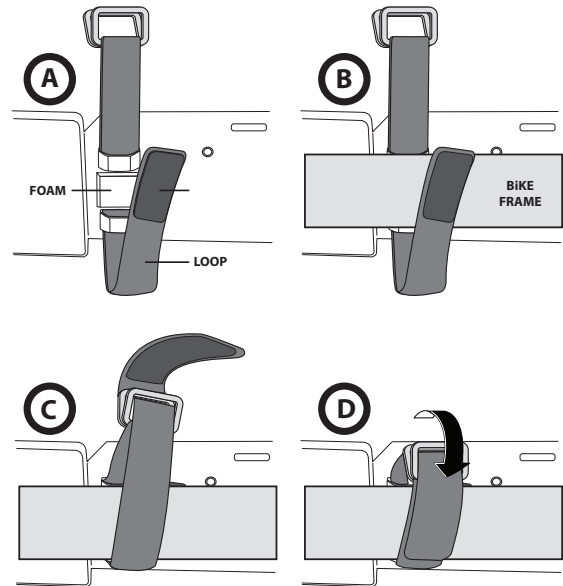


Number plate holder comes with flat 7-pin connector

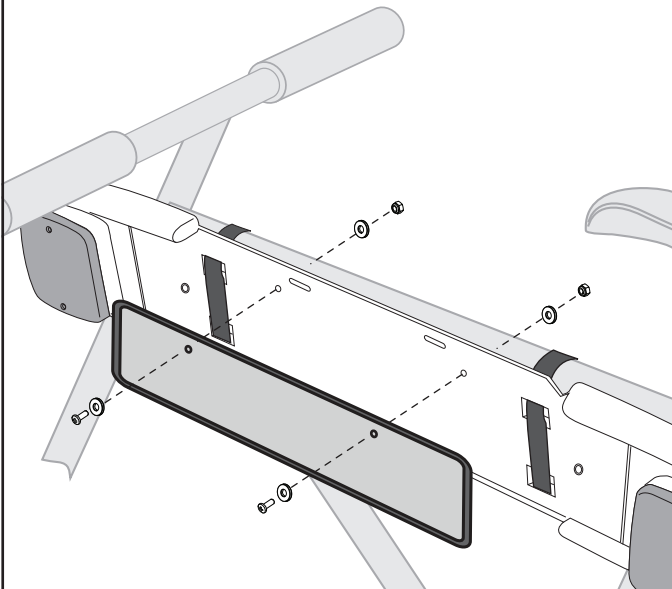
1 Insert velcro straps as shown.



2 Mount the number plate holder on the rear bicycle.



3 Mount the number plate onto the number plate holder.



4 Secure excess cable with ties supplied. Check moving parts. Plug flat 7-pin connector to vehicle.

