

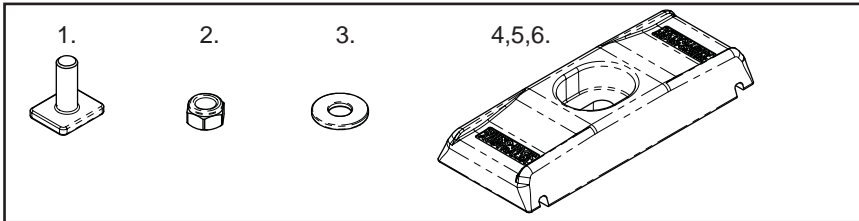


RHINO-RACK

Pioneer Side Tab Kits

Important: Please read these instructions carefully prior to installation. Please refer to your fitting instruction to ensure that the Pioneer System is installed in the correct location. Check the contents of kit before commencing fitment and report any discrepancies. Place these instructions in the vehicle's glove box after installation is complete. Always be sure to check Rhino-Rack website to ascertain if you have the latest instructions before installing.

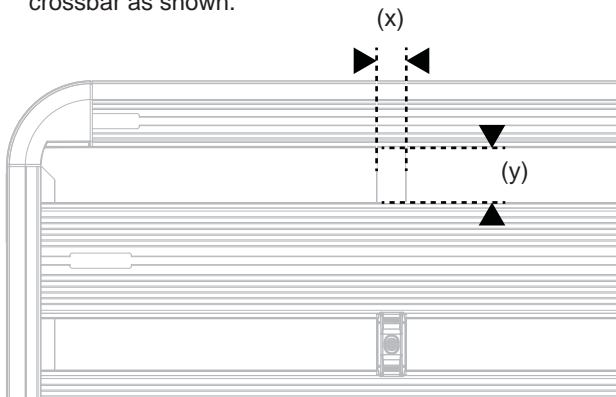
Item	Component Name	Part No.	43236	43237	43238	43239	43240	43241	43242	43243
Kit suits Platform			42100B 42109B	42101B 42110B	42102B 42107B	42103B	42104B 42108B	42105B	42111B	42112B
1	M6 x 16mm T-Bolt	B260	6	6	10	10	10	14	6	4
2	M6 Nyloc Nut	N013	6	6	10	10	10	14	6	4
3	M6 x 16mm Flat Washer	W031	6	6	10	10	10	14	6	4
4	Plastic Side Tab	M754	6	-	10	-	-	14	-	-
5	Plastic Side Tab	M755	-	-	-	-	10	-	6	4
6	Plastic Side Tab	M756	-	6	-	10	-	-	-	-
7	Instructions	R1432	1	1	1	1	1	1	1	1



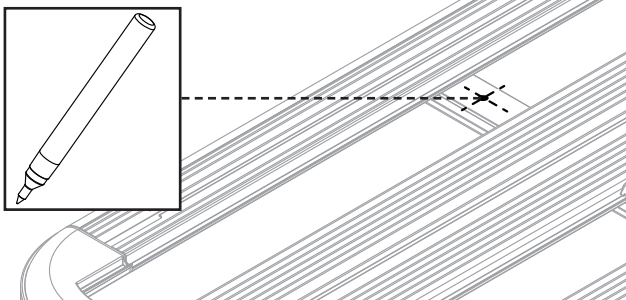
Tools Required:
 10mm socket wrench.
 7mm drill bit.
 Power drill.
 Measuring tape.
 Marker.

Instructions

1 Find the centre of the exposed end of the platform crossbar as shown.

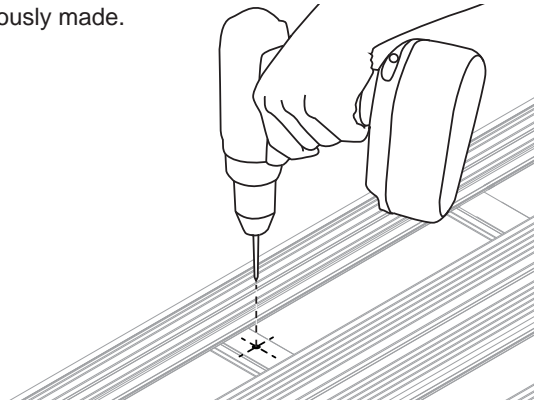


1 - Measure the length and width of the exposed crossbar.



2 - Halve both the (x) and (y) measurements and create a reference. This should be the centre of the exposed platform crossbar.

2 Using a 7mm drill bit, open up the reference previously made.



3 Install the side tabs as shown. Item 4,5 or 6 will be used depending on kit.

Underside View: The head of the T-Bolt will sit in the subtle groove that runs along the crossbar. Ensure T-Bolt locates correctly.

