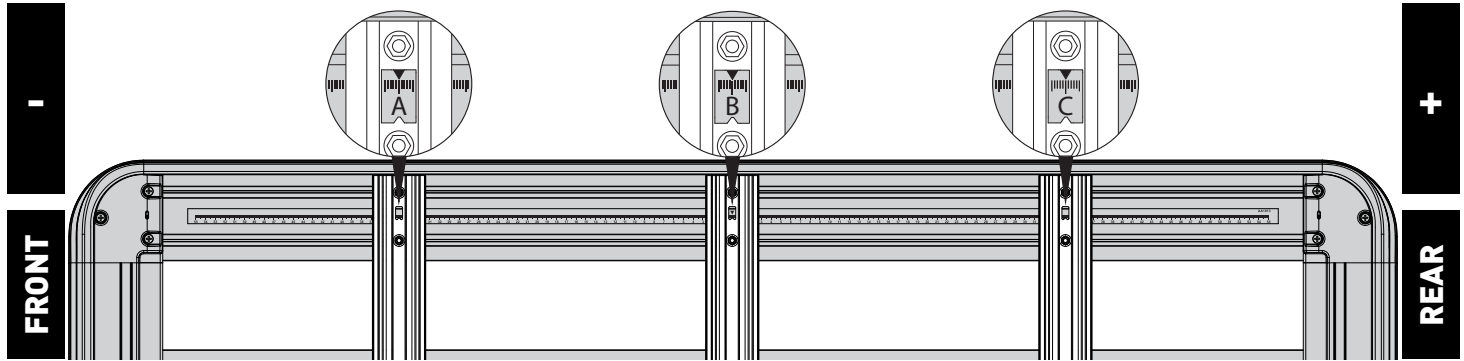


VEHICLE	PIONEER SIZE	CONNECTOR	HEIGHT ADDED (mm / in)
HONDA HR-V Gen 2 4WD/SUV Flush Rail 5 dr	52109	RCL4	110.0 / 4.3

IMPORTANT NOTES
- Do not operate sunroof

REGION	AUS	NZ	USA	CA	SA	UK	EU	ZA
AVAILABILITY	✓	✓	✓	✓	✓	✓	✓	x
RUNNING DATES	02/15 -	02/15 -	2015 -	2015 -	2015 -	2015 -	2015 -	-

**UNDERBAR SPACING**



BAR NO.	A	B	C	D	E	F	G
DIMENSION (CM)	-40	0	31				
SPACERS REQ'D	SUB0671		SUB0671				
CONNECTOR	RCL		RCL				

VEHICLE LOAD LIMIT (VLL) (kg / lbs)	SYSTEM WEIGHT (SW) (kg / lbs)	ON-ROAD CARGO ALLOW. (OR)	OFF-ROAD CARGO ALLOW. (OFR)
Up to 75 / 165.3 *	20 / 44.2	OR = VLL - SW	OFR = OR / 1.5

**\*CHECK YOUR VEHICLE OWNERS HAND BOOK FOR VEHICLE MAXIMUM CARRYING CAPACITY. PLEASE ENSURE YOU USE THE VEHICLE MANUFACTURERS MAXIMUM ROOF ALLOWANCE IF IT IS LOWER THAN THE FIGURE LISTED IN THIS INSTRUCTION.**

**NOTES FOR DEALERS / FITTERS**

It is your responsibility to ensure these fitting instructions are given to the end user or client.

Document No: R2475  
 Issue No: 1  
 Issue Date: 22-Apr-20

These instructions remain the property of Rhino-Rack Australia Pty. Ltd. and may not be used or changed for any other purpose than intended.