


VEHICLE		PIONEER			CONNECTOR		HEIGHT ADDED (mm/in)	
TOYOTA Land Cruiser Prado 120 Series 4WD/SUV Raised Rail 5 dr		52102			SX100			
VEHICLE NOTES	- Do not operate sunroof							
REGION	AUS	NZ	USA	CA	SA	UK	EU	ZA
AVAILABILITY	✓	✓	x	x	x	✓	✓	✓
RUNNING DATES	2003 - 2009	2003 - 2009	-	-	-	2003 - 2009	2003 - 2009	2003 - 2009

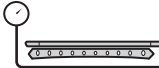
VISIT THE ONLINE
LOAD LIMIT
CALCULATOR FOR
CURRENT LOAD DATA




DYNAMIC LOAD LIMIT (ON AND OFF-ROAD):
 *USE THE VEHICLE MANUFACTURER'S MAXIMUM ROOF ALLOWANCE IF IT IS LOWER THAN THE FIGURE LISTED


 CARGO
 UP TO **52 Kg**
115 lbs


+



 SYSTEM WEIGHT
 UP TO **28 Kg**
62 lbs

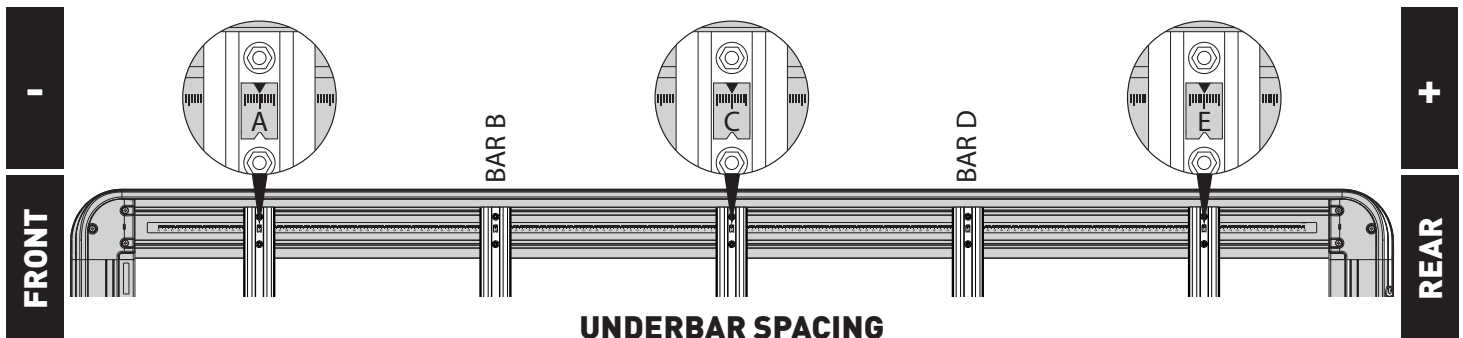
=


 LOAD LIMIT
 UP TO **80 Kg**
176 lbs

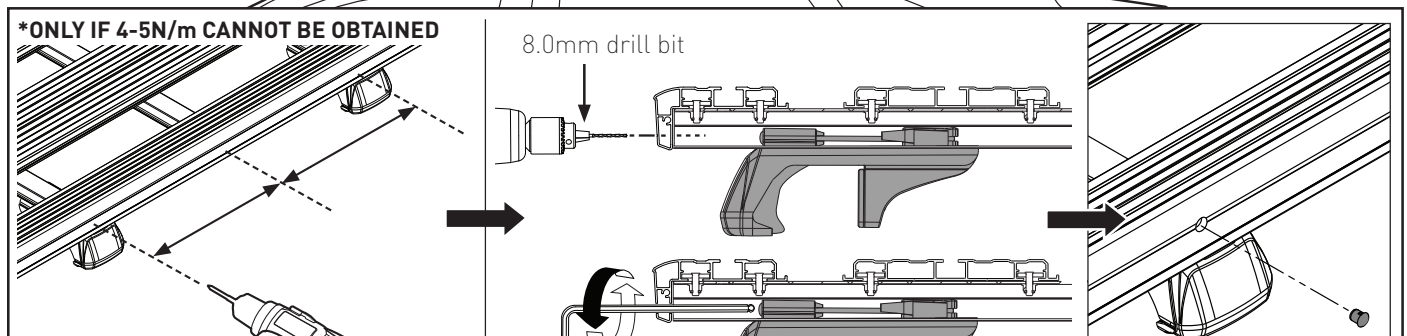
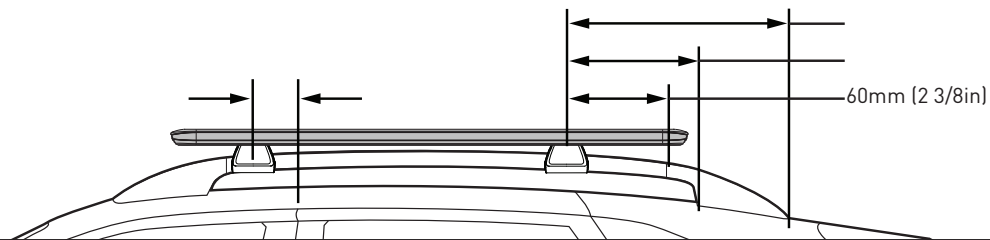
OR


 Max kg
***VEHICLE
MANUFACTURER'S
ROOF LOAD LIMIT**


TOTAL STATIC LOAD LIMIT: UP TO 200 Kg / 441 lbs*



BAR NO.	A	B	C	D	E	F	G
DIMENSION (CM)	-40.5	-30	4.2	38.4	49.5		
SPACERS REQ'D							
CONNECTOR	SX				SX		



NOTES FOR DEALERS / FITTERS

It is your responsibility to ensure these fitting instructions are given to the end user or client.

Document No: R2199
 Issue No: 5
 Issue Date: 19-Mar-21