

VEHICLE		PIONEER			CONNECTOR		HEIGHT ADDED (mm/in)	
MITSUBISHI Challenger PB Gen 2 4WD/SUV Raised Rail 4 dr		52100			SX100			
VEHICLE NOTES	- Do not operate sunroof							
REGION	AUS	NZ	USA	CA	SA	UK	EU	ZA
AVAILABILITY	✓	✓	x	x	x	x	x	x
RUNNING DATES	2009 - 2015	2009 - 2015	-	-	-	-	-	-

VISIT THE ONLINE  
LOAD LIMIT  
CALCULATOR FOR  
CURRENT LOAD DATA



**DYNAMIC LOAD LIMIT (ON AND OFF-ROAD):**  
\*USE THE VEHICLE MANUFACTURER'S MAXIMUM ROOF ALLOWANCE IF IT IS LOWER THAN THE FIGURE LISTED

CARGO

UP TO **61 Kg**  
**134 lbs**

+

SYSTEM WEIGHT

**19 Kg**  
**42 lbs**

=

LOAD LIMIT

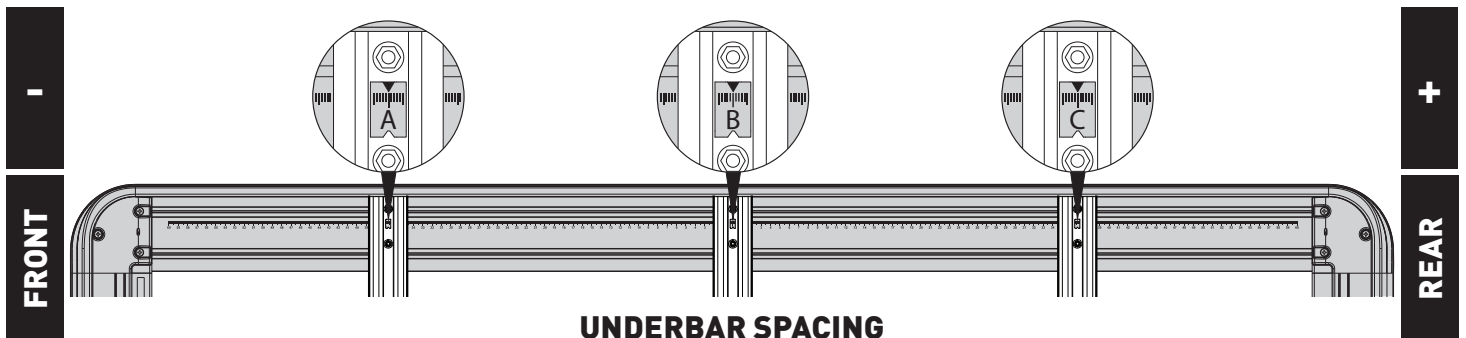
UP TO **80 Kg**  
**176 lbs**

OR

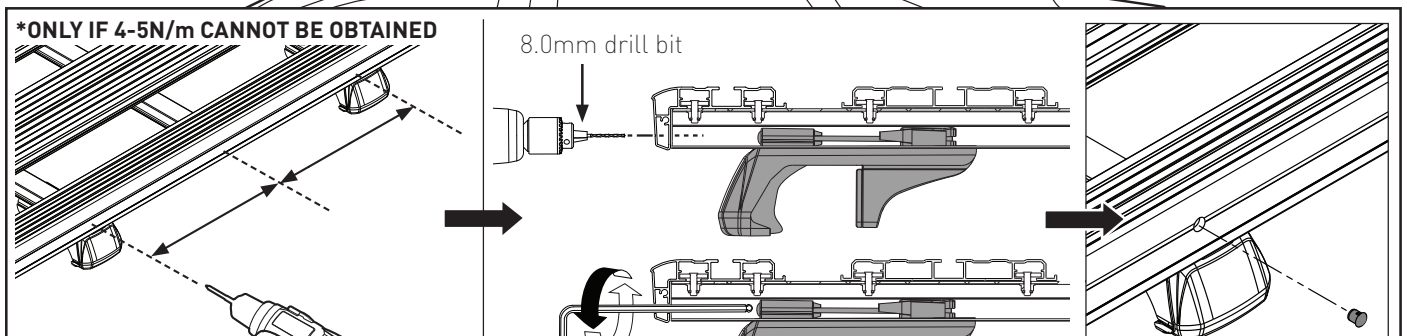
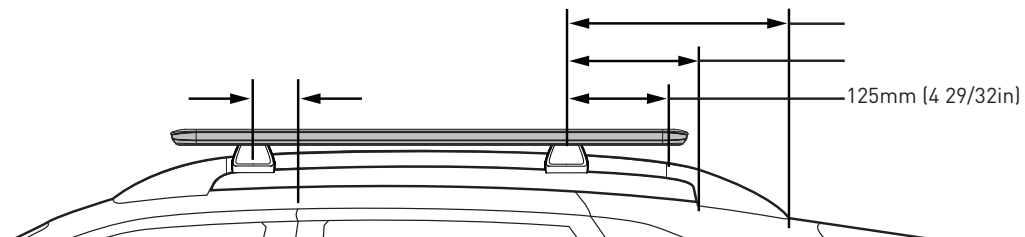
Max kg

**\*VEHICLE MANUFACTURER'S ROOF LOAD LIMIT**

TOTAL STATIC LOAD LIMIT: UP TO 200 Kg / 441 lbs\*



BAR NO.	A	B	C	D	E	F	G
DIMENSION (CM)	-53	0	52				
SPACERS REQ'D							
CONNECTOR	SX		SX				



### NOTES FOR DEALERS / FITTERS

It is your responsibility to ensure these fitting instructions are given to the end user or client.

Document No: R2093  
Issue No: 5  
Issue Date: 19-Mar-21