

VEHICLE		PIONEER			CONNECTOR		HEIGHT ADDED (mm/in)	
TOYOTA Land Cruiser Prado 120 Series 4WD/SUV Raised Rail 5 dr		52100			SX100			
VEHICLE NOTES	- Do not operate sunroof							
REGION	AUS	NZ	USA	CA	SA	UK	EU	ZA
AVAILABILITY	✓	✓	x	x	x	✓	✓	✓
RUNNING DATES	2003 - 2009	2003 - 2009	-	-	-	2003 - 2009	2003 - 2009	2003 - 2009

VISIT THE ONLINE
LOAD LIMIT
CALCULATOR FOR
CURRENT LOAD DATA



DYNAMIC LOAD LIMIT (ON AND OFF-ROAD):
*USE THE VEHICLE MANUFACTURER'S MAXIMUM ROOF ALLOWANCE IF IT IS LOWER THAN THE FIGURE LISTED

CARGO

UP TO **61 Kg**
134 lbs

+

SYSTEM WEIGHT

19 Kg
42 lbs

=

LOAD LIMIT

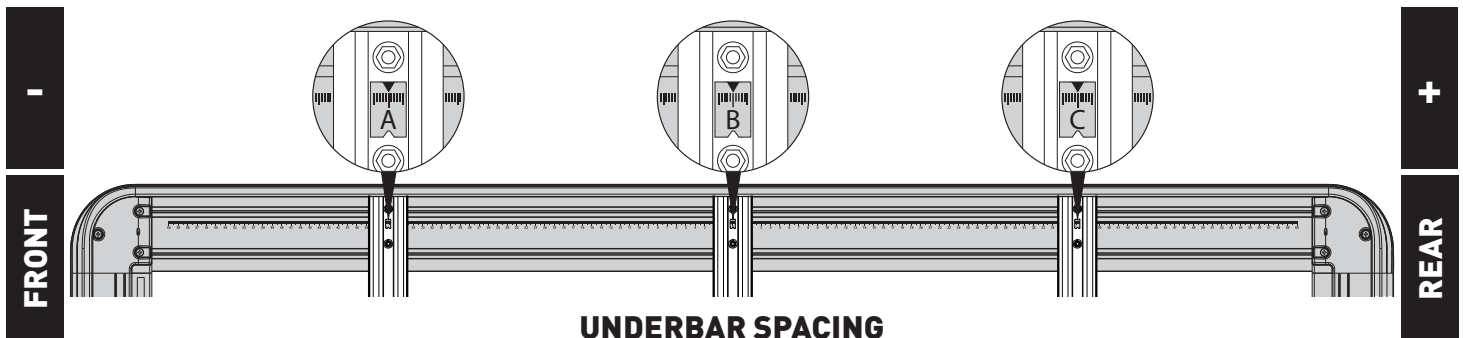
UP TO **80 Kg**
176 lbs

OR

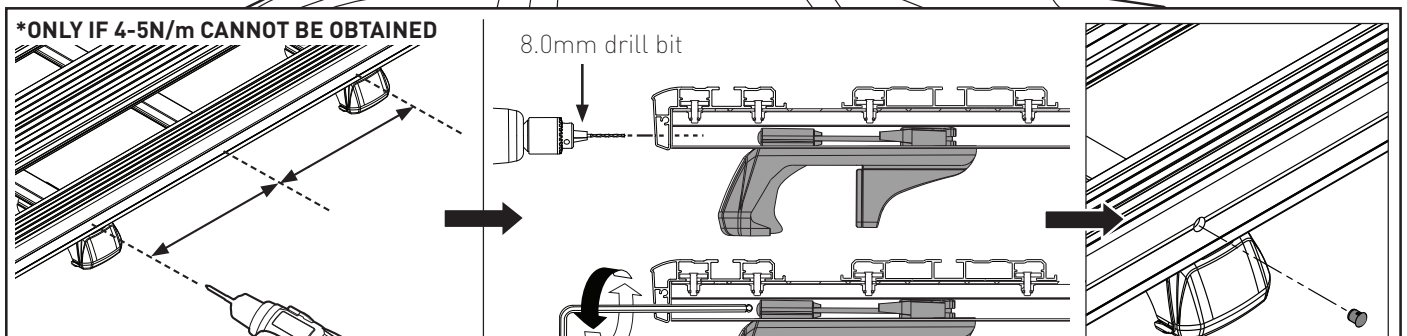
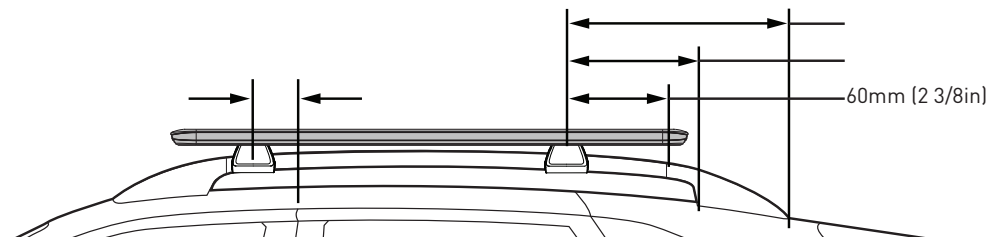
Max kg

***VEHICLE MANUFACTURER'S ROOF LOAD LIMIT**

TOTAL STATIC LOAD LIMIT: UP TO 200 Kg / 441 lbs*



BAR NO.	A	B	C	D	E	F	G
DIMENSION (CM)	-39	0	46				
SPACERS REQ'D							
CONNECTOR	SX		SX				



NOTES FOR DEALERS / FITTERS

It is your responsibility to ensure these fitting instructions are given to the end user or client.

Document No: R2060
Issue No: 5
Issue Date: 19-Mar-21