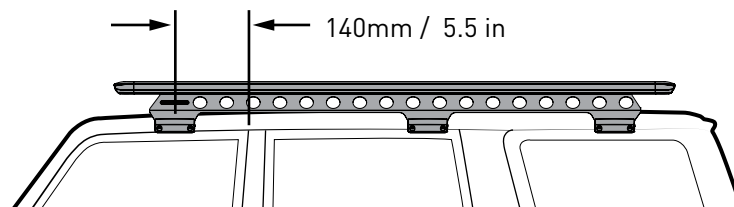
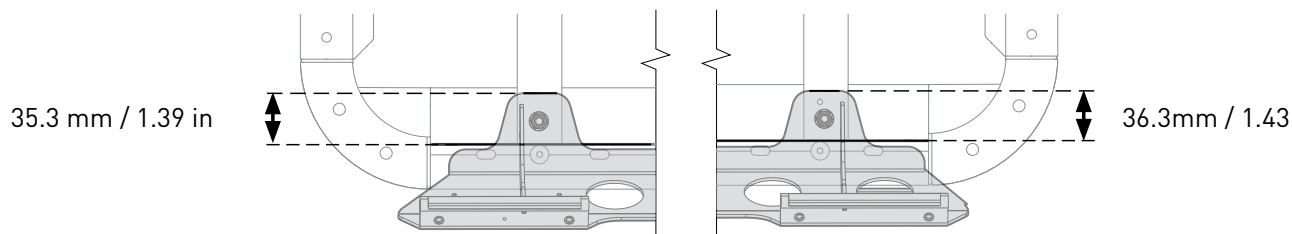
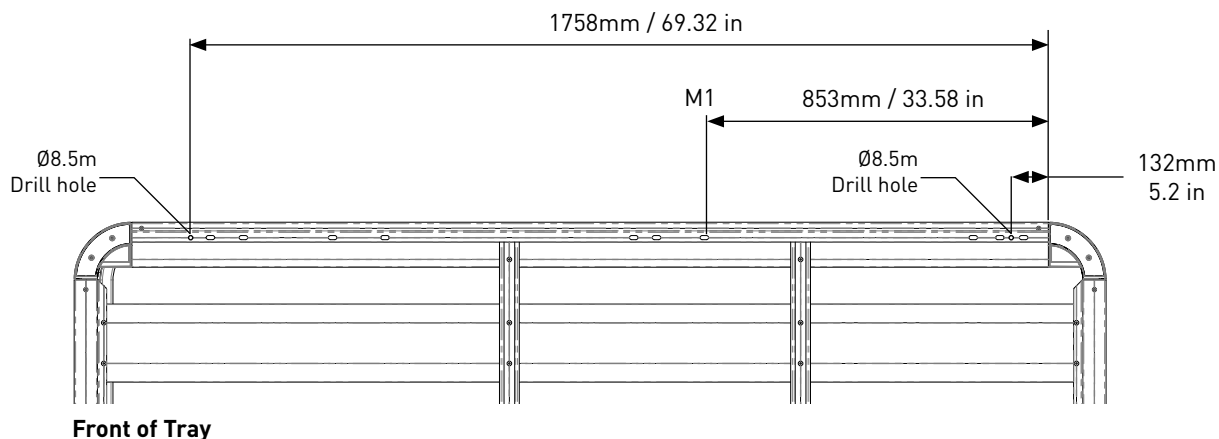




Pioneer Platform / Pioneer Tray / Pioneer Tradie

Fitting Chart - TOYOTA LandCruiser 76 Series 4WD Gutter 4dr

- PIONEER 41104** (2128 x 1426mm)
- PIONEER 42104B** (2128 x 1426mm)
- PIONEER 45104B** (2128 x 1426mm)



Front Crossbar		Middle Crossbar		Rear Crossbar		Approx. Overall Vehicle Height Added
Front Slot	Leg Height Spacer	Middle Slot	Leg Height Spacer	Rear Slot	Leg Height Spacer	
Drill hole	-	M1	-	Drill hole	-	70mm / 2.7in

Country	Vehicle	Running Date	System Load Rating (kg / lbs)	Fit Kit
Australia NZ UK EU ZA	TOYOTA LandCruiser 76 Series Gutter 4dr	2007 - on	Up to 120/265* (system weight not included in figure)	1 x RGMB1

***CHECK YOUR VEHICLE OWNERS HAND BOOK FOR VEHICLE MAXIMUM CARRYING CAPACITY. PLEASE ENSURE YOU USE THE VEHICLE MANUFACTURERS MAXIMUM ROOF ALLOWANCE IF IT IS LOWER THAN THE FIGURE LISTED IN THIS INSTRUCTION.**

Rhino-Rack
22a Hanson Place,
Eastern Creek,
NSW 2766, Australia.
(Ph) (02) 8846 1900

Document No: R3029
Issue No: 1
Issue Date: 06/12/2021

These instructions remain the property of Rhino-Rack Australia Pty Ltd and may not be used or changed for any other purpose than intended.