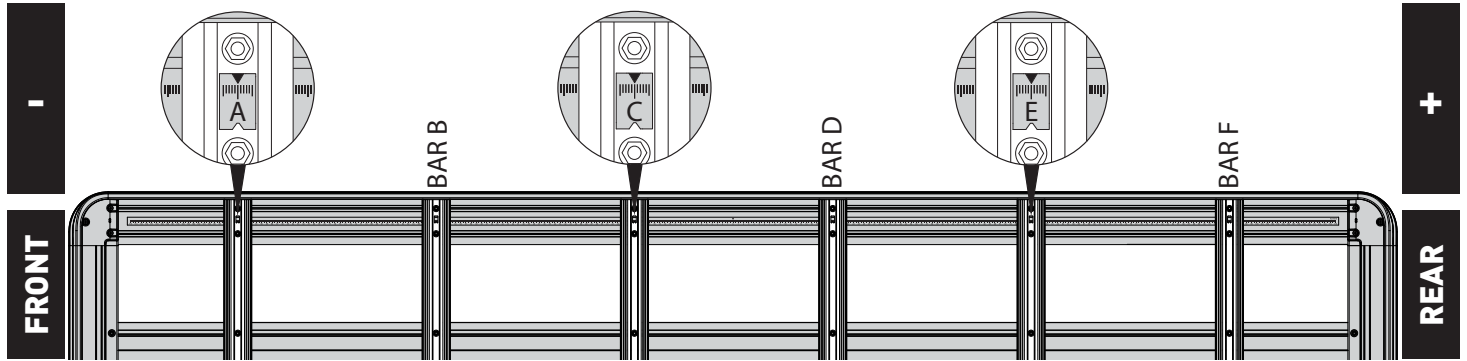


VEHICLE	PIONEER SIZE	CONNECTOR	HEIGHT ADDED (mm / in)
NISSAN NV 1500, 2500, 3500 Van 2 dr	52119	RLT600	

IMPORTANT NOTES	Requires QMFK20 - Do not operate sunroof
-----------------	--

REGION	AUS	NZ	USA	CA	SA	UK	EU	ZA
AVAILABILITY	x	x	✓	✓	x	x	x	x
RUNNING DATES	-	-	2013 -	2013 -	-	-	-	-

## UNDERBAR SPACING



BAR NO.	A	B	C	D	E	F	G
DIMENSION (CM)	-89.5	-58.5	-13.5	29.5	68.5	104.5	
SPACERS REQ'D							
CONNECTOR	RLT600		RLT600	RLT600	RLT600		

VEHICLE LOAD LIMIT (VLL) (kg / lbs)	SYSTEM WEIGHT (SW) (kg / lbs)	ON-ROAD CARGO ALLOW. (OR)	OFF-ROAD CARGO ALLOW. (OFR)
Up to 100 / 220.5 *	41 / 90.4	OR = VLL - SW	OFR = OR / 1.5

**\*CHECK YOUR VEHICLE OWNERS HAND BOOK FOR VEHICLE MAXIMUM CARRYING CAPACITY. PLEASE ENSURE YOU USE THE VEHICLE MANUFACTURERS MAXIMUM ROOF ALLOWANCE IF IT IS LOWER THAN THE FIGURE LISTED IN THIS INSTRUCTION.**

### NOTES FOR DEALERS / FITTERS

It is your responsibility to ensure these fitting instructions are given to the end user or client.

Document No: R2411  
Issue No: 1  
Issue Date: 04-Nov-20

These instructions remain the property of Rhino-Rack Australia Pty. Ltd. and may not be used or changed for any other purpose than intended.