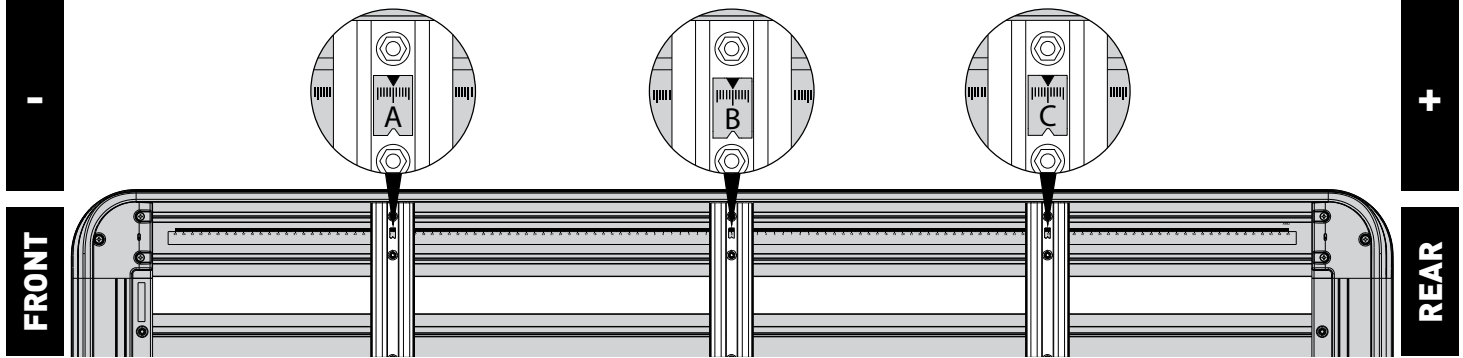


VEHICLE	PIONEER SIZE	CONNECTOR	HEIGHT ADDED (mm / in)
FORD F250/350/450/550 Super Cab / Crew Cab Pickup/Ute 4 dr	52101	RLT600	

IMPORTANT NOTES	- Do not operate sunroof
-----------------	--------------------------

REGION	AUS	NZ	USA	CA	SA	UK	EU	ZA
AVAILABILITY	✓	✓	✓	✓	✗	✓	✓	✓
RUNNING DATES	01/08 - 12/16	01/08 - 12/16	2008 - 2016	2008 - 2016	-	2008 - 2016	2008 - 2016	2008 - 2016

UNDERBAR SPACING



BAR NO.	A	B	C	D	E	F	G
DIMENSION (CM)	-28	0	52				
SPACERS REQ'D							
CONNECTOR	RLT600		RLT600				

VEHICLE LOAD LIMIT (VLL) (kg / lbs)	SYSTEM WEIGHT (SW) (kg / lbs)	ON-ROAD CARGO ALLOW. (OR)	OFF-ROAD CARGO ALLOW. (OFR)
Up to 100 / 220.5 *	23 / 50.7	OR = VLL - SW	OFR = OR / 1.5

***CHECK YOUR VEHICLE OWNERS HAND BOOK FOR VEHICLE MAXIMUM CARRYING CAPACITY. PLEASE ENSURE YOU USE THE VEHICLE MANUFACTURERS MAXIMUM ROOF ALLOWANCE IF IT IS LOWER THAN THE FIGURE LISTED IN THIS INSTRUCTION.**

NOTES FOR DEALERS / FITTERS
 It is your responsibility to ensure these fitting instructions are given to the end user or client.

Document No: R2107
 Issue No: 1
 Issue Date: 06-Oct-20
 These instructions remain the property of Rhino-Rack Australia Pty. Ltd. and may not be used or changed for any other purpose than intended.