

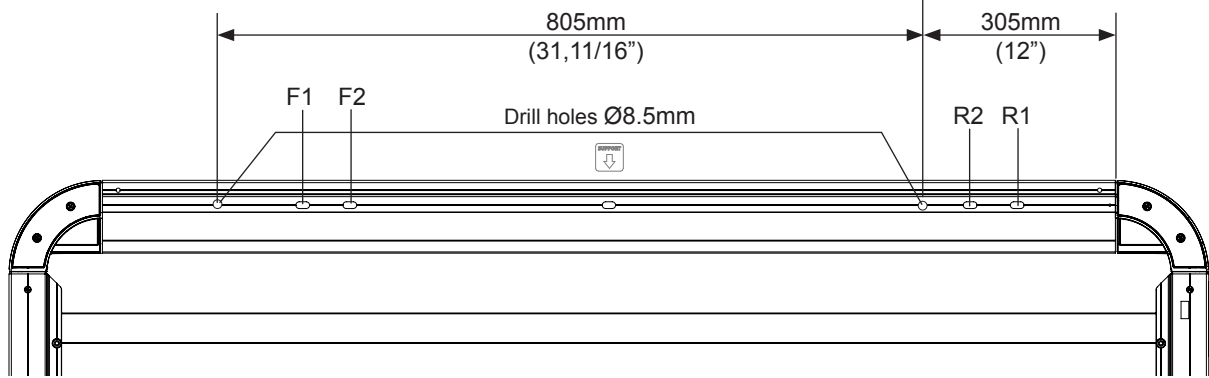


Pioneer Platform / Pioneer Tray / Pioneer Tradie

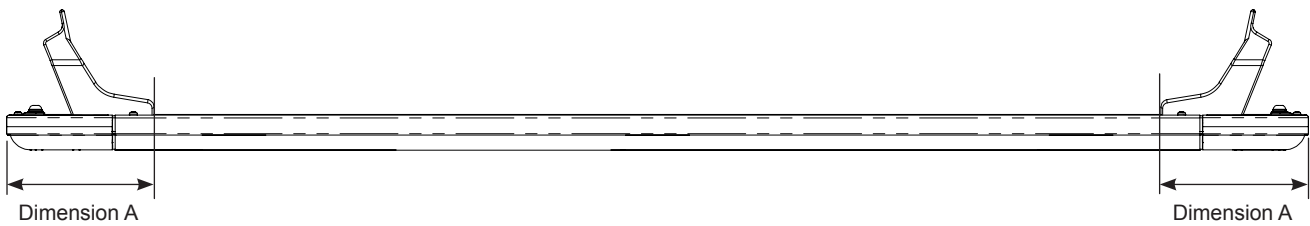
CONTROLLED

Fitting Chart - MITSUBISHI TRITON MQ 4dr Double Cab

- PIONEER 41100** (1528mm x 1236mm) (60 3/16" x 48 11/16") external
- PIONEER 42100B** (1528mm x 1236mm) (60 3/16" x 48 11/16")
- PIONEER 45100B** (1528mm x 1236mm) (60 3/16" x 48 11/16")



Front of Tray



FRONT Crossbar			REAR Crossbar			Vehicle Height (a. Platform Tray) (b. Welded Tray)
Front Slot	Dimension A	Leg Height Spacer	Rear Slot	Dimension A	Leg Height Spacer	
Drill hole Ø8.5mm	166mm	1 x QMHD20 1 x QMW10	Drill hole Ø8.5mm	209mm	1 x QMHD05 1 x QMW05	a. 1880mm b. 1980mm

Country	Vehicle	Run Date	Vehicle Load Rating (kg/ lbs)	Fit Kit
Australia & New Zealand	Mitsubishi Triton MQ Double Cab	4/15-	100 / 220	1 x RLT600 1 x QMFK09 1 x QMFK10 1 x QMHD05 1 x QMHD20 1 x QMW05 1 x QMW10
Europe & UK	Mitsubishi L200 Double Cab FIAT Fullback Double Cab	6/15-		
South America	Mitsubishi L200 Double Cab	16-		
Philippines	Mitsubishi Strada Double Cab	15-		

Rhino-Rack
3 Pike Street, Rydalmere,
NSW 2116, Australia.
(Ph) (02) 8846 1900
(Fax) (02) 9638 4822

Document No: R976
Prepared By: Craig Jones
Authorised By: Chris Murty

Issue No: 1
Issue Date: 4/03/2016

These instructions remain the property of Rhino-Rack Australia Pty. Ltd. and may not be used or changed for any other purpose than intended.