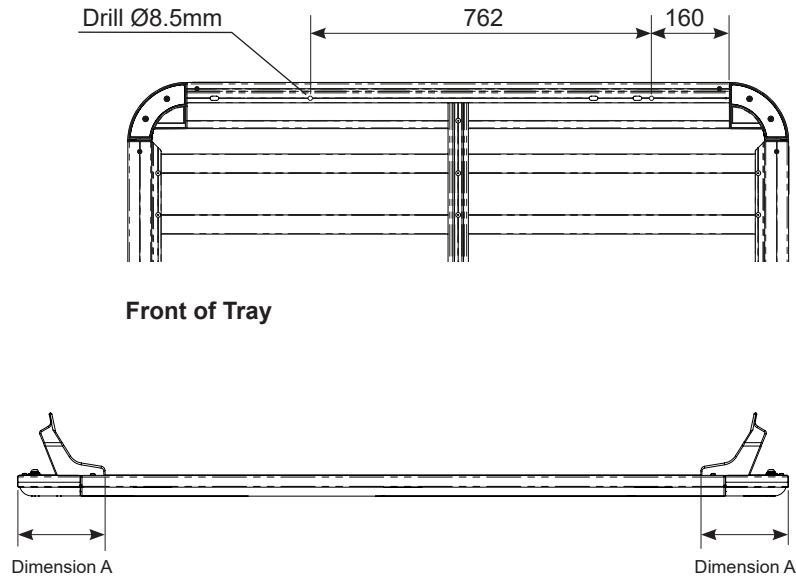




# Pioneer Platform / Pioneer Tray / Pioneer Tradie

## Fitting Chart - TOYOTA Tundra 4dr Ute Crew Max

**PIONEER 42110B** (1328 x 1376mm)  
**PIONEER 45110B** (1328 x 1376mm)



Front Crossbar			Rear Crossbar			Approx. Overall Vehicle Height
Front Slot	Dim. A	Leg Height Spacer	Rear Slot	Dim. A	Leg Height Spacer	
Drill Hole Ø8.5mm		QMHD05	Drill Hole Ø8.5mm		QMHD05	

Country	Vehicle	Running Date	Vehicle Load Rating (kg / lbs)	Fit Kit
Australia & NZ	TOYOTA Tundra 4dr Ute Crew Max	01/07 - on	100 / 220	1 x RTS533 1 x RLT600 2 x QMHD05
USA & Canada	TOYOTA Tundra 4dr Ute Crew Max	2007 - on		

Rhino-Rack  
 3 Pike Street, Rydalmere,  
 NSW 2116, Australia.  
 (Ph) (02) 9638 4744  
 (Fax) (02) 9638 4822

Document No: R913  
 Prepared By: Luke Little  
 Authorised By: Chris Murty

Issue No: 1  
 Issue Date: 05/02/2016

These instructions remain the property of Rhinorack Australia Pty Ltd and may not be used or changed for any other purpose than intended.