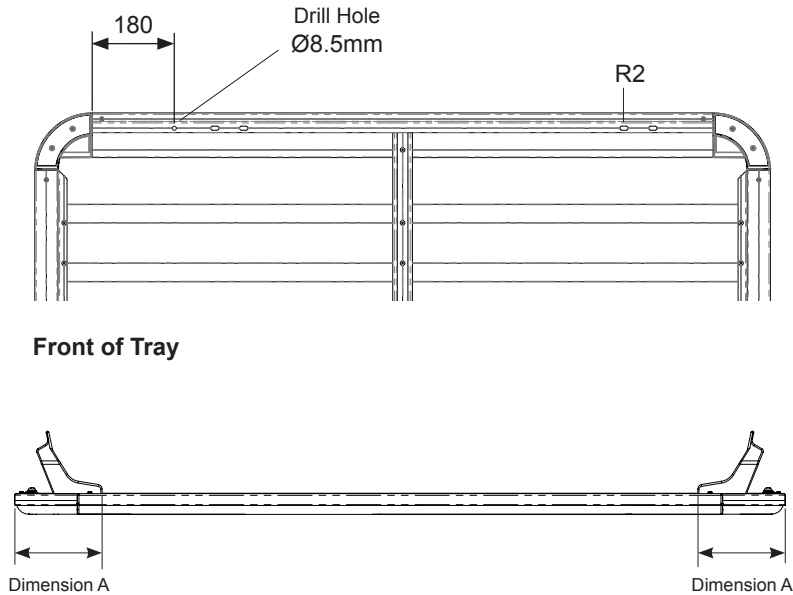




Fitting Chart - TOYOTA Hilux 4dr Ute Dual Cab

PIONEER 41100 (1528 x 1236mm)
PIONEER 42100B (1528 x 1236mm)
PIONEER 45100B (1528 x 1236mm)



Front Crossbar			Rear Crossbar			Approx. Overall Vehicle Height
Front Slot	Dim. A	Leg Height Spacer	Rear Slot	Dim. A	Leg Height Spacer	
Drill Hole Ø8.5mm	160mm	QMHD005 QMW10	R2	165mm	QMHD05 QMW05	1900mm

Country	Vehicle	Running Date	Vehicle Load Rating (kg / lbs)	Fit Kit
Australia & NZ	TOYOTA Hilux 4dr Ute Dual Cab	10/15 - on	100 / 220	1 x RTS543 1 x RLT600 2 x QMHD05 1 x QMW05 1 x QMW10
South Africa	TOYOTA Hilux 4dr Pickup Dual Cab	10/15 - on		
UK & Europe	TOYOTA Vigo Dual Cab	10/15 - on		

Rhino-Rack
 3 Pike Street, Rydalmere,
 NSW 2116, Australia.
 (Ph) (02) 9638 4744
 (Fax) (02) 9638 4822

Document No: R878
 Prepared By: Chris Murty, Reg Leroy
 Authorised By: Chris Murty

Issue No: 4
 Issue Date: 22/01/2016

These instructions remain the property of Rhinorack Australia Pty Ltd and may not be used or changed for any other purpose than intended.