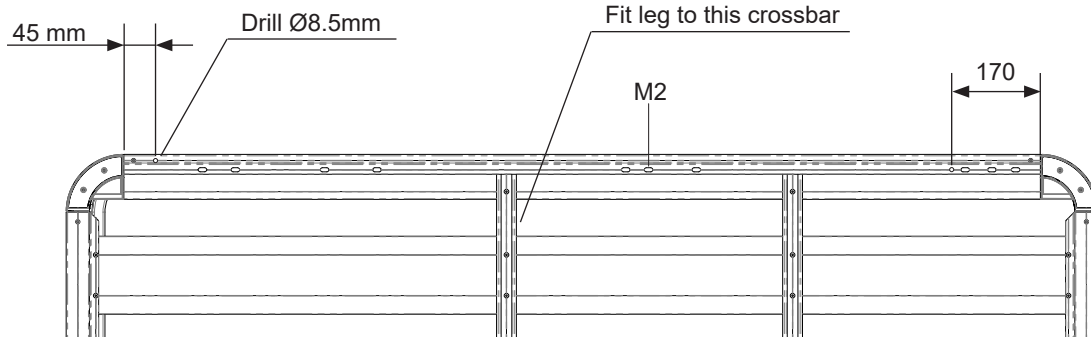




Fitting Chart - MITSUBISHI Delica 4dr Van High Roof

- PIONEER 41104** (2128 x 1426mm)
- PIONEER 42104B** (2128 x 1426mm)
- PIONEER 45104B** (2128 x 1426mm)



Front of Tray



| Front Crossbar | | | Middle Crossbar | | | Rear Crossbar | | | Approx. Overall Vehicle Height |
|-------------------|--------|-------------------|-----------------|--------|-------------------|-------------------|--------|-------------------|--------------------------------|
| Front Slot | Dim. A | Leg Height Spacer | Middle Slot | Dim. A | Leg Height Spacer | Rear Slot | Dim. A | Leg Height Spacer | |
| Drill Hole Ø8.5mm | 222 mm | - | M2 | 210 mm | - | Drill Hole Ø8.5mm | 210 mm | LHSPAIR | 2110 mm |

| Country | Vehicle | Running Date | Vehicle Load Rating (kg / lbs) | Fit Kit |
|---------------------------|-------------------------------------|---------------|--------------------------------|----------------------------|
| Australia & NZ | MITSUBISHI Delica 4dr Van High Roof | 01/94 - 12/07 | 80 / 176 | 3 x RL210S2 1 x LHSPAIR |

Rhino-Rack
 3 Pike Street, Rydalmere,
 NSW 2116, Australia.
 (Ph) (02) 9638 4744
 (Fax) (02) 9638 4822

Document No: R792
 Prepared By: Nigel Greig
 Authorised By: Chris Murty

Issue No: 2
 Issue Date: 16/06/2016

These instructions remain the property of Rhinorack Australia Pty Ltd and may not be used or changed for any other purpose than intended.