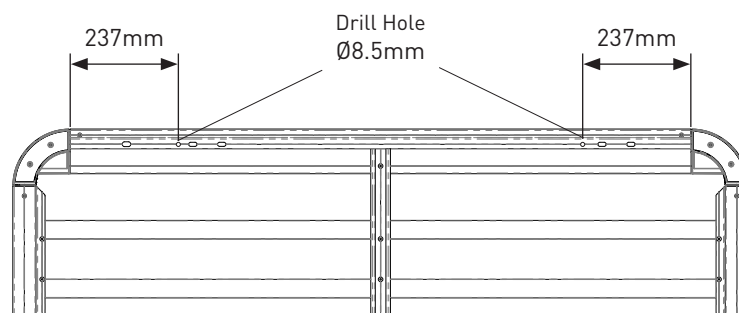


## Fitting Chart - TOYOTA Highlander/Kluger XU70 5dr Gen4 (with Flush Roof Rails) - 4X100

**PIONEER 41100** (1528 x 1236mm)  
**PIONEER 42100B** (1528 x 1236mm)  
**PIONEER 45100B** (1528 x 1236mm)



Front of Tray



Front Crossbar			Rear Crossbar			Approx. Overall Vehicle Height
Front Slot	Dim. A	Leg Height Spacer	Rear Slot	Dim. A	Leg Height Spacer	
Drill Hole Ø8.5mm	=	-	Drill Hole Ø8.5mm	=	-	

Country	Vehicle	Running Date	Vehicle Load Rating (kg / lbs)	Fit Kit
Australia	TOYOTA Kluger XU70 5dr Gen4 (with Flush Roof Rails)	2021 - on	Up to 75/165* (System weight not included in figure)	1 x RCH4 1 x RCP-70
NZ/UK/EU	TOYOTA Highlander XU70 5dr Gen4 (with Flush Roof Rails)	2021 - on		
USA/Canada/SA	TOYOTA Highlander XU70 5dr Gen4 (with Flush Roof Rails)	2020 - on		

**\*CHECK YOUR VEHICLE OWNERS HAND BOOK FOR VEHICLE MAXIMUM CARRYING CAPACITY. PLEASE ENSURE YOU USE THE VEHICLE MANUFACTURERS MAXIMUM ROOF ALLOWANCE IF IT IS LOWER THAN THE FIGURE LISTED IN THIS INSTRUCTION.**

**Rhino-Rack**  
 22a Hanson Place,  
 Eastern Creek,  
 NSW 2766, Australia.  
 (Ph) (02) 8846 1900

Document No: R2770  
 Issue No: 1  
 Issue Date: 20/06/2021

These instructions remain the property of Rhino-Rack Australia Pty Ltd and may not be used or changed for any other purpose than intended.