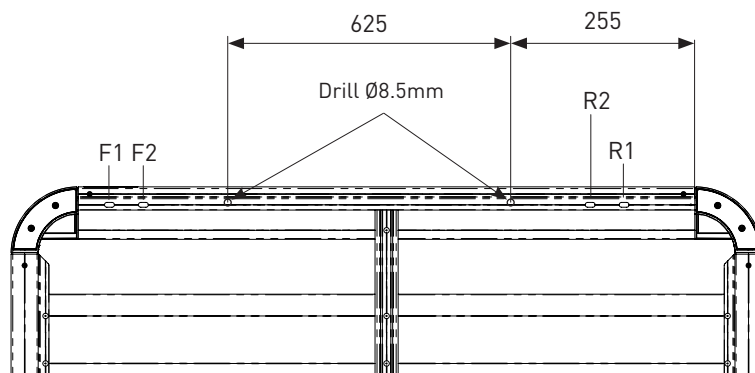




# Pioneer Platform / Pioneer Tray / Pioneer Tradie

## Fitting Chart - ISUZU D-Max X-Terrain 4dr Ute 3rd Gen (with Flush Roof Rails) - 4X109

**PIONEER 42109B** (1328 x 1236mm)  
**PIONEER 45109B** (1328 x 1236mm)



Front of Tray

Front Crossbar		Rear Crossbar		Approx. Vehicle Added Height
Front Slot	Leg Height Spacer	Rear Slot	Leg Height Spacer	
Drill Hole Ø8.5mm	QMHD05	Drill Hole Ø8.5mm	QMHD05	135 mm

Country	Vehicle	Running Date	System Load Rating (kg / lbs)	Fit Kit
Australia & NZ	ISUZU D-Max X-Terrain 4dr Ute 3rd Gen (with Flush Roof Rails)	2020 - on	60 / 130 *	1 x RCP29-BK 1 x RCL4 2 x QMHD05

**\*CHECK YOUR VEHICLE OWNERS HAND BOOK FOR VEHICLE MAXIMUM CARRYING CAPACITY. PLEASE ENSURE YOU USE THE VEHICLE MANUFACTURERS MAXIMUM ROOF ALLOWANCE IF IT IS LOWER THAN THE FIGURE LISTED IN THIS INSTRUCTION.**

**Rhino-Rack**  
 22a Hanson Place,  
 Eastern Creek,  
 NSW 2766, Australia.  
 (Ph) (02) 8846 1900

Document No: R2769  
 Issue No: 1  
 Issue Date: 08/04/2021

These instructions remain the property of Rhino-Rack Australia Pty Ltd and may not be used or changed for any other purpose than intended.