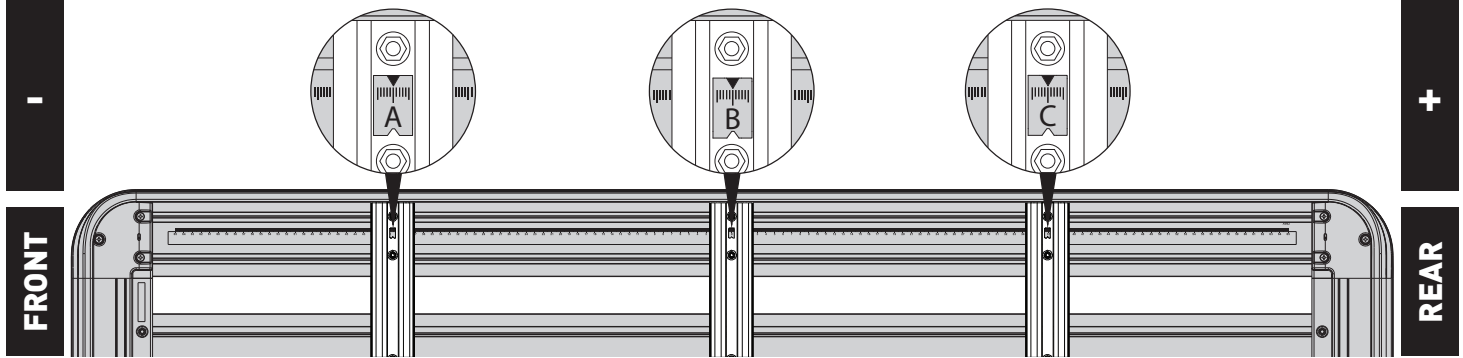


VEHICLE	PIONEER SIZE	CONNECTOR	HEIGHT ADDED (mm / in)
VOLKSWAGEN Atlas 4WD/SUV Raised Rail 5 dr	52101	SX022	

IMPORTANT NOTES	Do not use factory sunroof -
------------------------	------------------------------

REGION	AUS	NZ	USA	CA	SA	UK	EU	ZA
AVAILABILITY	x	x	✓	✓	x	x	x	x
RUNNING DATES	-	-	2018 - 2020	2018 - 2020	-	-	-	-

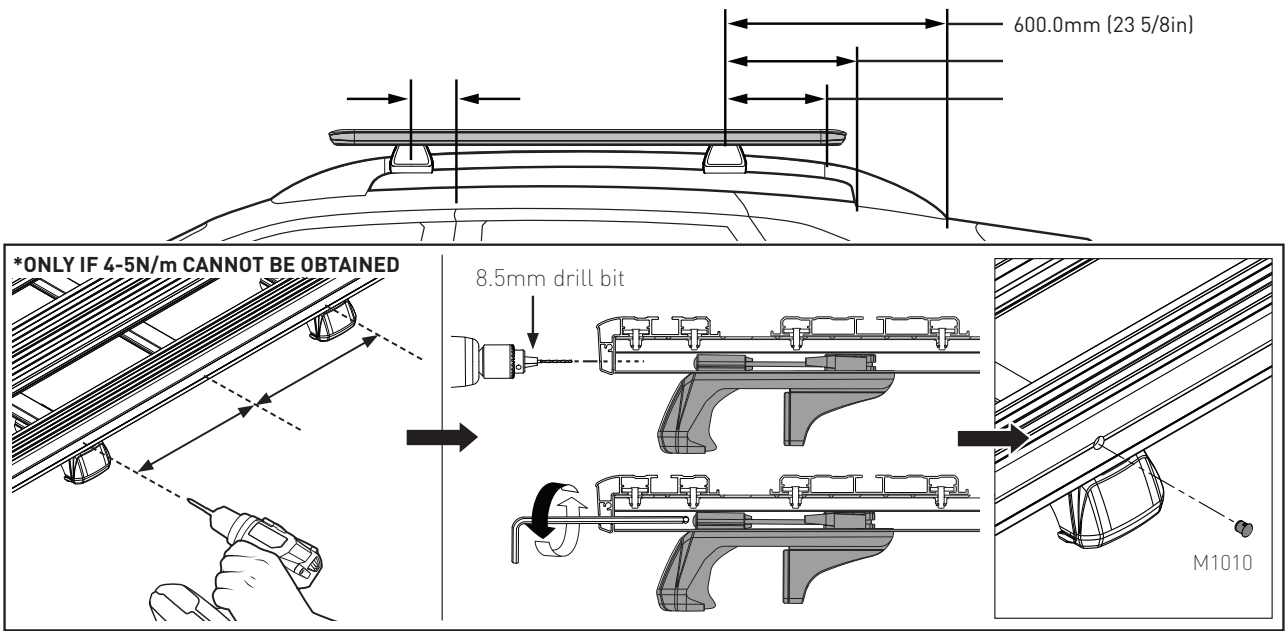
UNDERBAR SPACING



BAR NO.	A	B	C	D	E	F	G
DIMENSION (CM)	-45.5	0	39.5				
SPACERS REQ'D							
CONNECTOR	SX022		SX022				

VEHICLE LOAD LIMIT (VLL) (kg / lbs)	SYSTEM WEIGHT (SW) (kg / lbs)	ON-ROAD CARGO ALLOW. (OR)	OFF-ROAD CARGO ALLOW. (OFR)
Up to 80 / 176.4 *	23 / 50.7	OR = VLL - SW	OFR = OR / 1.5

***CHECK YOUR VEHICLE OWNERS HAND BOOK FOR VEHICLE MAXIMUM CARRYING CAPACITY. PLEASE ENSURE YOU USE THE VEHICLE MANUFACTURERS MAXIMUM ROOF ALLOWANCE IF IT IS LOWER THAN THE FIGURE LISTED IN THIS INSTRUCTION.**



NOTES FOR DEALERS / FITTERS
 It is your responsibility to ensure these fitting instructions are given to the end user or client.

Document No: R2584
 Issue No: 1
 Issue Date: 14-Jul-20
 These instructions remain the property of Rhino-Rack Australia Pty. Ltd. and may not be used or changed for any other purpose than intended.