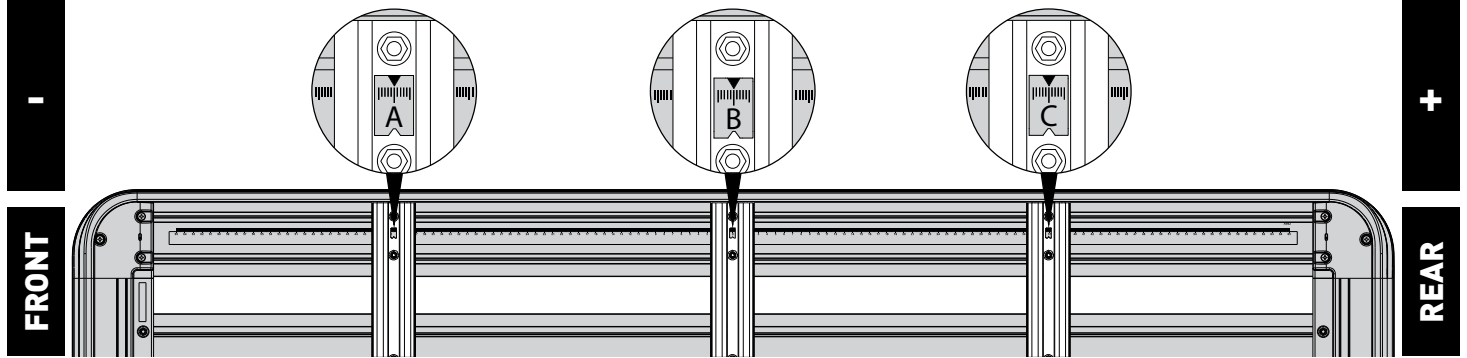


| VEHICLE                                       | PIONEER SIZE | CONNECTOR | HEIGHT ADDED (mm / in) |
|---|--------------|-----------|------------------------|
| NISSAN Frontier D40 Pickup/Ute Bare Roof 4 dr | 52101        | RLTP      |                        |

|                        |                           |
|------------------------|---------------------------|
| <b>IMPORTANT NOTES</b> | Requires RTS507 fitment - |
|------------------------|---------------------------|

| REGION        | AUS | NZ | USA         | CA          | SA | UK | EU | ZA |
|---------------|-----|----|-------------|-------------|----|----|----|----|
| AVAILABILITY  | x   | x  | ✓           | ✓           | x  | x  | x  | x  |
| RUNNING DATES | -   | -  | 2005 - 2019 | 2005 - 2019 | -  | -  | -  | -  |

**UNDERBAR SPACING**



| BAR NO.        | A      | B | C      | D | E | F | G |
|----------------|--------|---|--------|---|---|---|---|
| DIMENSION (CM) | -39    | 0 | 46     |   |   |   |   |
| SPACERS REQ'D  | VA-FK2 |   | VA-FK2 |   |   |   |   |
| CONNECTOR      | RLTP   |   | RLTP   |   |   |   |   |

| VEHICLE LOAD LIMIT (VLL)<br>(kg / lbs) | SYSTEM WEIGHT (SW)<br>(kg / lbs) | ON-ROAD CARGO ALLOW. (OR) | OFF-ROAD CARGO ALLOW. (OFR) |
|--|----------------------------------|---------------------------|-----------------------------|
| Up to 100 / 220.5 *                    | 23 / 50.7                        | OR = VLL - SW             | OFR = OR / 1.5              |

**\*CHECK YOUR VEHICLE OWNERS HAND BOOK FOR VEHICLE MAXIMUM CARRYING CAPACITY. PLEASE ENSURE YOU USE THE VEHICLE MANUFACTURERS MAXIMUM ROOF ALLOWANCE IF IT IS LOWER THAN THE FIGURE LISTED IN THIS INSTRUCTION.**

**NOTES FOR DEALERS / FITTERS**

It is your responsibility to ensure these fitting instructions are given to the end user or client.

Document No: R2581  
 Issue No: 1  
 Issue Date: 14-Jul-20

These instructions remain the property of Rhino-Rack Australia Pty. Ltd. and may not be used or changed for any other purpose than intended.