



RHINO-RACK®

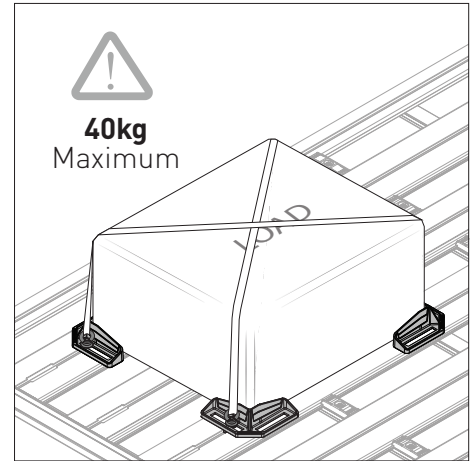
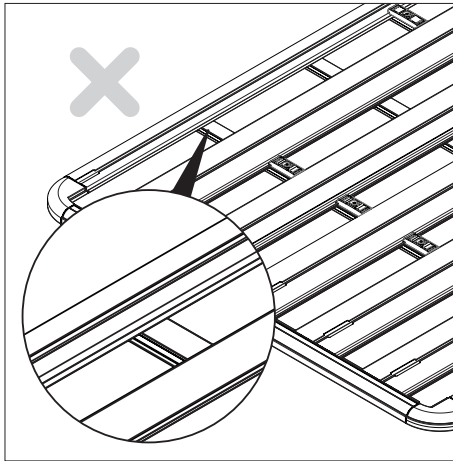
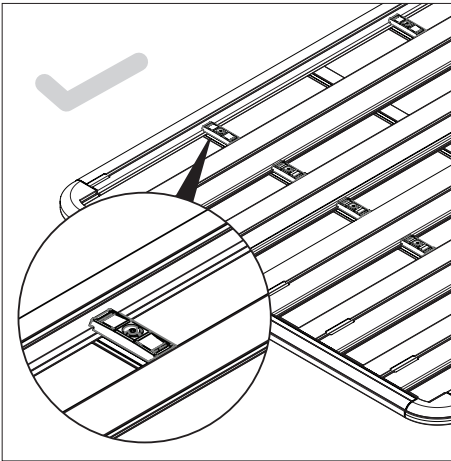
Pioneer Corner Bracket

43256

Warning:

1. Use only non-stretch fastening ropes or straps.
2. Exercise care when transporting wind-resistant loads. Special consideration must be taken when cornering or braking.
3. Please refer to your vehicle manufacturers handbook for maximum carrying capacity.
4. Do not "overload". A safety factor of 1.5 is required for off-road use.

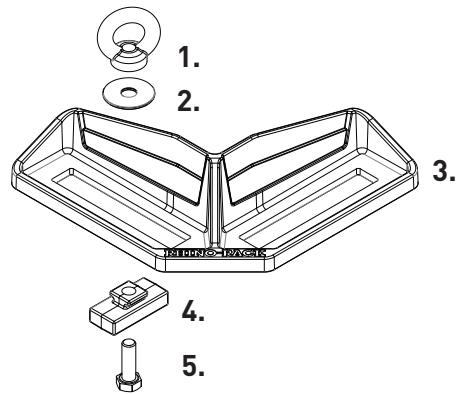
Side Tab kit required.



Item	Parts	Qty
1	Eye-nut	4
2	M8 x 30mm x 2mm Washer	4
3	Corner Bracket	4
4	Corner Anchor	4
5	M8 x 25mm Hex Bolt	4
6	Instructions	1

Tools Required

T1 - Tape Measure



INSTRUCTIONS

