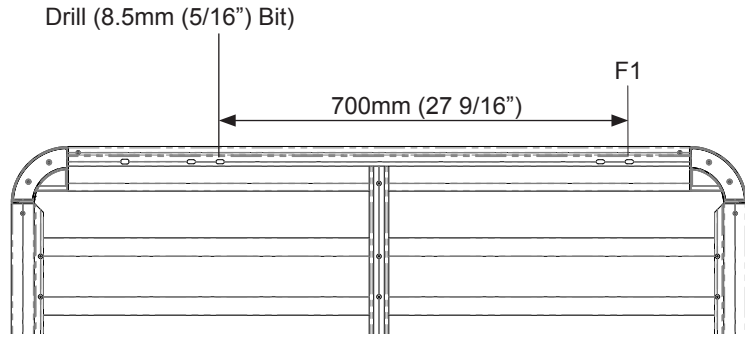


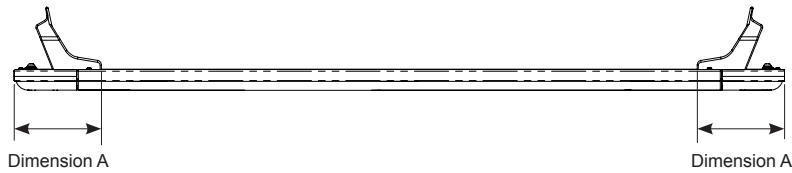


**Fitting Chart - CHEVROLET/ HOLDEN Equinox 5dr SUV**

- PIONEER 41100** (1528 x 1236mm) (60 x 48")
- PIONEER 42100B** (1528 x 1236mm) (60 x 48")
- PIONEER 45100B** (1528 x 1236mm) (60 x 48")



**Front of Tray**



| Front Crossbar |                  |                   | Rear Crossbar                             |                  |                   | Approx. Overall Vehicle Height |
|----------------|------------------|-------------------|---|------------------|-------------------|--------------------------------|
| Front Slot     | Dim. A           | Leg Height Spacer | Rear Slot                                 | Dim. A           | Leg Height Spacer |                                |
| F1             | 255mm (10 1/16") | QMHD05 x 1        | Drill 700mm (27 9/16") back from F1 slot. | 345mm (13 9/16") | QMHD15 x 1        | -                              |

| Country        | Vehicle                      | Running Date | Vehicle Load Rating (kg / lbs) | Fit Kit                                       | Note                             |
|----------------|------------------------------|--------------|--------------------------------|---|----------------------------------|
| USA & Canada   | CHEVROLET Equinox LT 5dr SUV | 2018 -       | 75 / 165                       | 1x QMHD05<br>1x QMHD15<br>1x RCL4<br>RCP62-BK | Pioneer Tray covers the sunroof. |
| South America  | CHEVROLET Equinox LT 5dr SUV | 2018 -       | 75 / 165                       |   |                                  |
| Australia & NZ | HOLDEN Equinox LT 5dr SUV    | 2017 -       | 75 / 165                       |   |                                  |

Rhino-Rack  
 3 Pike Street, Rydalmere,  
 NSW 2116, Australia.  
 (Ph) (02) 9638 4744  
 (Fax) (02) 9638 4822

Document No: R1809  
 Prepared By: Luke Little  
 Authorised By: Chris Murty

Issue No: 2  
 Issue Date: 17/07/2018

These instructions remain the property of Rhinorack Australia Pty Ltd and may not be used or changed for any other purpose than intended.