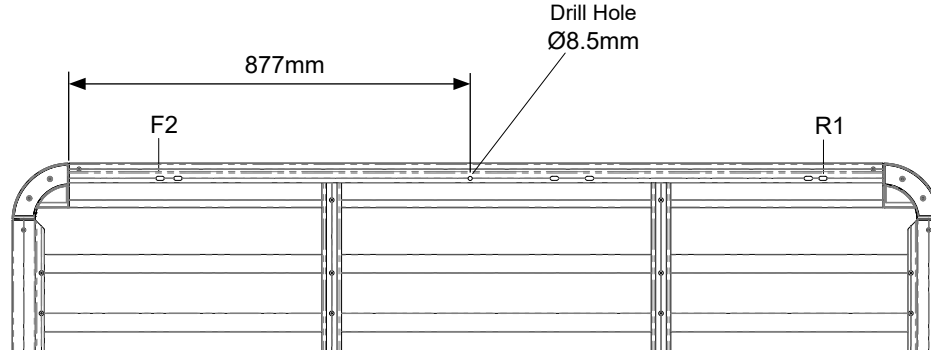




Fitting Chart - TOYOTA Fortuner GXL / Crusade 5dr SUV Rail Removed (with Backbone)

- PIONEER 41102** (1928 x 1236mm)
- PIONEER 42102B** (1928 x 1236mm)
- PIONEER 45102B** (1928 x 1236mm)



Front of Tray

| Front Crossbar | Middle Crossbar | Rear Crossbar |
|----------------|---------------------------|---------------|
| F2 | Drill 8.5mm Hole 877mm | R1 |

| Country | Vehicle | Running Date | Vehicle Load Rating (kg / lbs) | Fit Kit | Notes |
|----------------|---|--------------|--------------------------------|-----------|--|
| Australia & NZ | TOYOTA Fortuner 5dr SUV with Flush Rail | 2015 - on | 120/265 | 1 × RTFB1 | Flush rail must be removed before fitment of RTFB1 |

Note: Due to aerial and tail gate clearance Pioneer accessory 43129 - Roller 1070mm can not be fitted to rear of tray.

Rhino-Rack
 3 Pike Street, Rydalmere,
 NSW 2116, Australia.
 (Ph) (02) 9638 4744
 (Fax) (02) 9638 4822

Document No: R1736
 Prepared By: Will Davis
 Authorised By: Chris Murty

Issue No: 1
 Issue Date: 13/02/2018

These instructions remain the property of Rhino-Rack Australia Pty Ltd and may not be used or changed for any other purpose than intended.