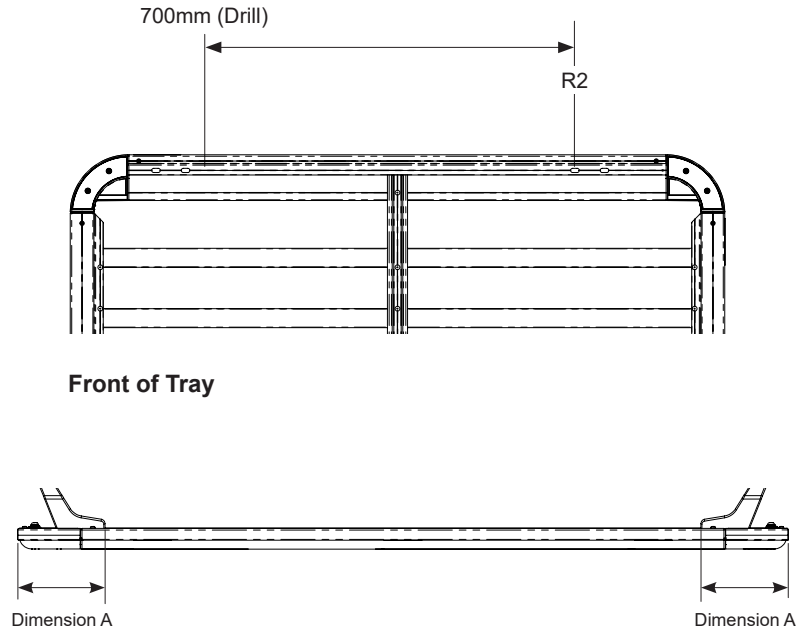




**RLT600 Fitting Chart - FORD Ranger 4dr Ute Super Cab PX**

**PIONEER 42109B** (1328 x 1236mm)  
**PIONEER 45109B** (1328 x 1236mm)



Front Crossbar			Rear Crossbar			Approx. Overall Vehicle Height
Front Slot	Dim. A	Leg Height Spacer	Rear Slot	Dim. A	Leg Height Spacer	
Drill	142mm	QMPS10 QMW10	R2	150mm	QMHD05	1890 mm

Country	Vehicle	Running Date	Vehicle Load Rating (kg / lbs)	Fit Kit
Australia & NZ	FORD Ranger 2dr Ute Super Cab PX/ PX2/ PX3	09/11 - on	100 / 220	1 x RTS526 1 x RLT600 1 x QMHD05 1 x QMPS10 1 x QMW10
	MAZDA BT-50 2dr Ute Freestyle Cab	11/11 - on		

**Note for Dealers and Fitters:**

It is your responsibility to ensure these fitting instructions are given to the end user or client.

Rhino-Rack, 22 Hanson Pl, Eastern Creek  
 NSW 2766, Australia  
 (02) 8846 1900  
 rhinorack.com.au

Document No: R1676  
 Issue No: 05  
 Issue Date: 29/08/2019

These instructions remain the property of Rhino-Rack Australia Pty. Ltd. and may not be used or changed for any other purpose than intended.