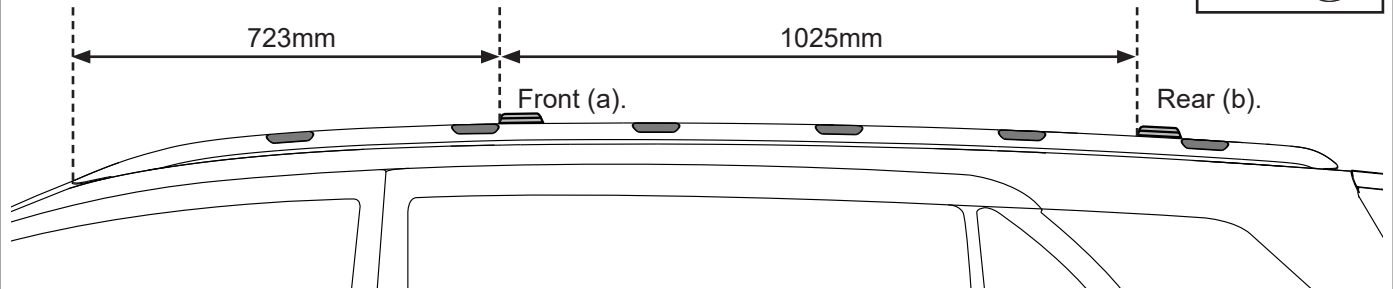




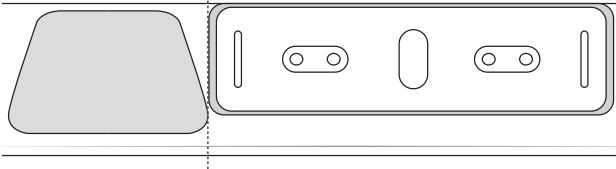
Fitting Chart - FORD Everest 3rd Gen 4dr SUV With Flush Rail 10/15 on.

Prepare the rail.

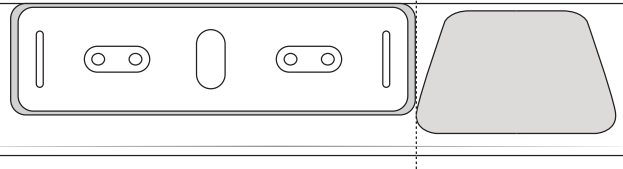
1 Move to the factory rail of the vehicle. Locate the 6 details in the rail and place an RCP63-BK base kit assembly in the positions indicated below. **Note:** MY18 models will not have details in the rail, in these instances, use dimensions below.



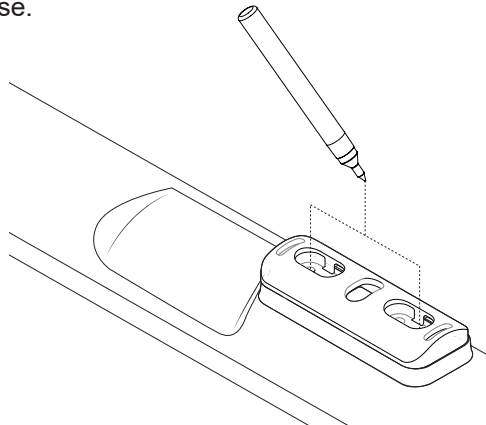
(a) MY17 only - Sit the base assembly flush with the rear of the rail. The side of the rubber skirt should be in line rail detail as shown.



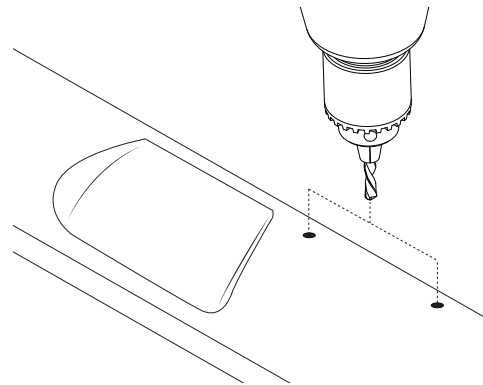
(b) MY17 only - Sit the base assembly flush with the rear of the rail. Note the rear base sits on the front side of the detail.



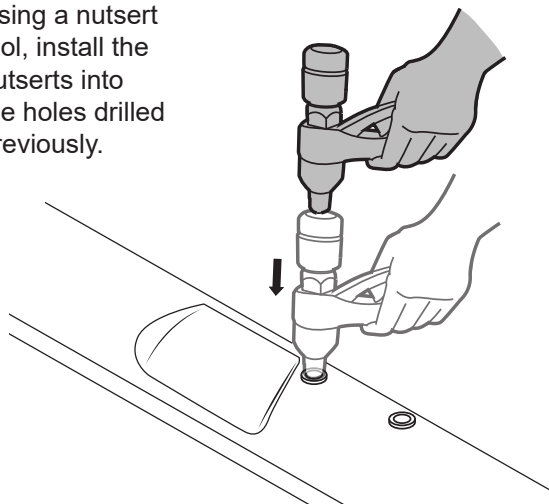
2 Spot mark the outer two mounting points in each base.



3 Drill through the references made with a 9mm drill bit.

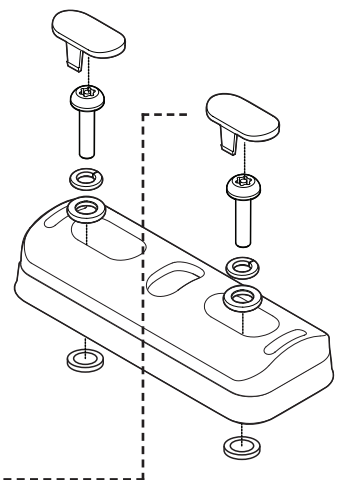


4 Using a nutsert tool, install the nutserts into the holes drilled previously.



5 Place the base assemblies over the installed nutserts. Fix in place with an M6 torx screw, spring washer and M6 x 12.5mm flat washer.

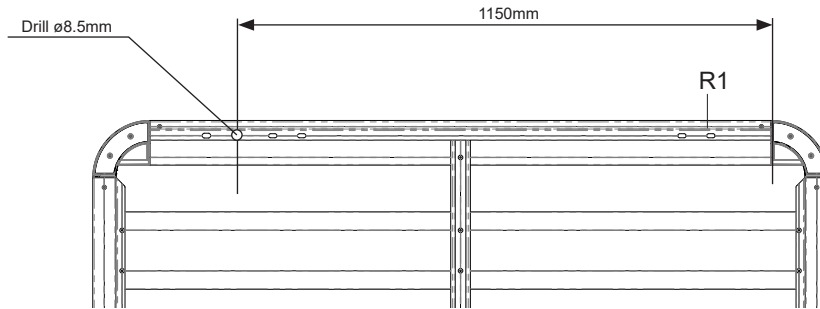
Place the short fixed mount covers over the installed torx screws.





Pioneer Platform / Pioneer Tray / Pioneer Tradie

PIONEER 41100 (1528 x 1236mm)
PIONEER 42100B (1528 x 1236mm)
PIONEER 45100B (1528 x 1236mm)



Front of Tray

Front Crossbar		Rear Crossbar	
Front Slot	Leg Height Spacer	Rear Slot	Leg Height Spacer
Drill 1150mm from Rear	QMHD05	R1	QMHD20 SUB0671

Country	Vehicle	Running Date	Vehicle Load Rating (kg / lbs)	Fit Kit
Australia NZ ZA	FORD Everest 3rd Gen 4dr SUV with Flush Rails	10/15 - on	100 / 220	1 × RCL4 2 × RCP63-BK 1 × SUB0671 1 × QMHD05 1 × QMHD20

Rhino-Rack
 3 Pike Street, Rydalmere,
 NSW 2116, Australia.
 (Ph) (02) 9638 4744
 (Fax) (02) 9638 4822

Document No: R1577
 Prepared By: Will Davis
 Authorised By: Chris Murty

Issue No: 3
 Issue Date: 06/08/2018

These instructions remain the property of Rhino-Rack Australia Pty Ltd and may not be used or changed for any other purpose than intended.