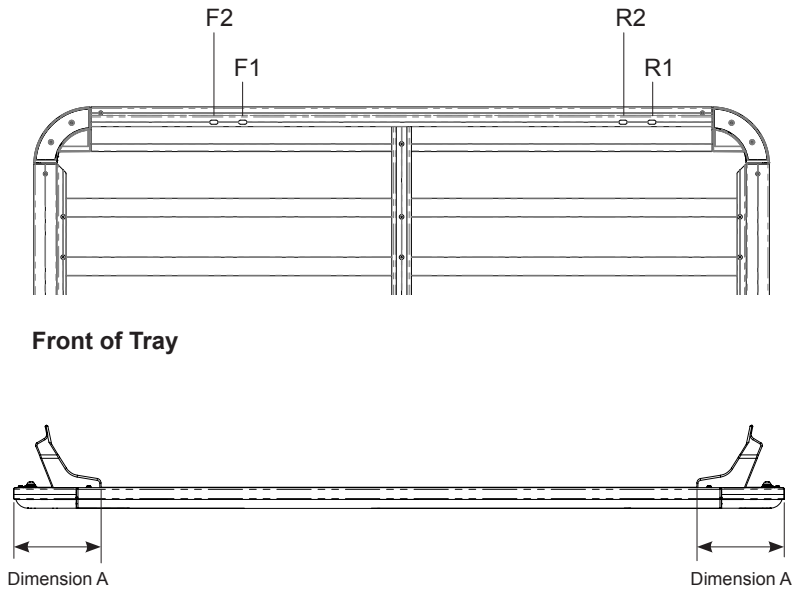




**Fitting Chart - TOYOTA Hilux 4dr Ute Dual Cab**

**PIONEER 41100** (1528 x 1236mm)  
**PIONEER 42100B** (1528 x 1236mm)  
**PIONEER 45100B** (1528 x 1236mm)



**Front of Tray**

Front Crossbar			Rear Crossbar			Approx. Overall Vehicle Height
Front Slot	Dim. A	Leg Height Spacer	Rear Slot	Dim. A	Leg Height Spacer	
F2		QMHD05	R2		QMHD05	

Country	Vehicle	Running Date	Vehicle Load Rating (kg / lbs)	Fit Kit
<b>Australia &amp; NZ</b>	TOYOTA Hilux 4dr Ute Dual Cab	04/05 - on	100 / 220	1 x RCP58-BK 1 x RCH4 2 x QMHD05 1 x RTS03
<b>South Africa</b>	TOYOTA Hilux 4dr Pickup Dual Cab	04/05 - on		
<b>UK &amp; Europe</b>	TOYOTA Vigo Dual Cab	07/05 - on		

Rhino-Rack  
 3 Pike Street, Rydalmere,  
 NSW 2116, Australia.  
 (Ph) (02) 9638 4744  
 (Fax) (02) 9638 4822

Document No: R1532  
 Prepared By: Nigel Greig  
 Authorised By: Chris Murty

Issue No: 1  
 Issue Date: 15/09/2017

These instructions remain the property of Rhinorack Australia Pty Ltd and may not be used or changed for any other purpose than intended.