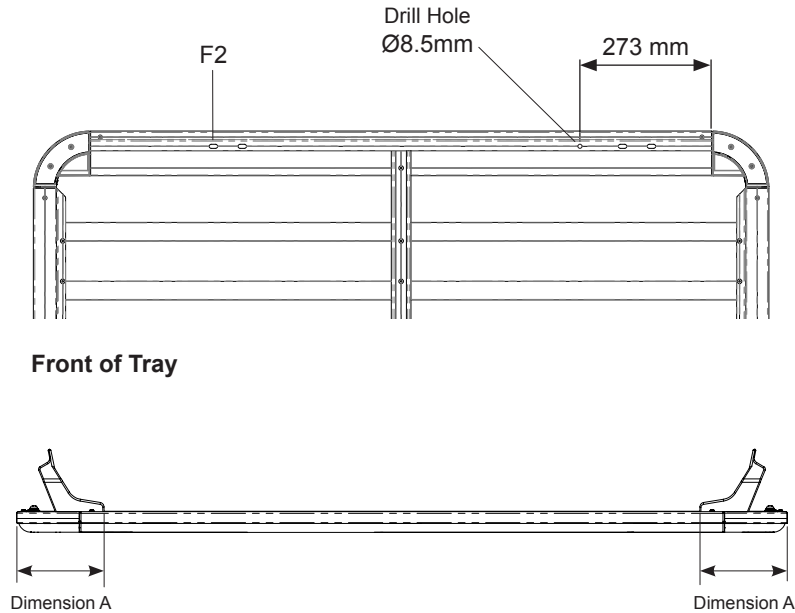




Fitting Chart - VOLKSWAGEN Amarok 4dr Ute Dual Cab 2H

PIONEER 41100 (1528 x 1236mm)
PIONEER 42100B (1528 x 1236mm)
PIONEER 45100B (1528 x 1236mm)



Front Crossbar			Rear Crossbar			Approx. Overall Vehicle Height
Front Slot	Dim. A	Leg Height Spacer	Rear Slot	Dim. A	Leg Height Spacer	
F2		QMPS10	Drill Hole Ø8.5mm		QMPS10	

Country	Vehicle	Running Date	Vehicle Load Rating (kg / lbs)	Fit Kit
Australia & NZ	VOLKSWAGEN Amarok 4dr Dual Cab 2H	02/11 - on	100 / 220	1 x RCP24-BK 1 x RCL4 2 x QMPS10
South Africa	VOLKSWAGEN Amarok 4dr 4WD 2H Dual Cab Utility	02/11 - on		
UK & Europe	VOLKSWAGEN Amarok Dual Cab	02/11 - on		

Rhino-Rack
 3 Pike Street, Rydalmere,
 NSW 2116, Australia.
 (Ph) (02) 9638 4744
 (Fax) (02) 9638 4822

Document No: R1528
 Prepared By: Nigel Greig
 Authorised By: Chris Murty

Issue No: 1
 Issue Date: 15/09/2017

These instructions remain the property of Rhinorack Australia Pty Ltd and may not be used or changed for any other purpose than intended.