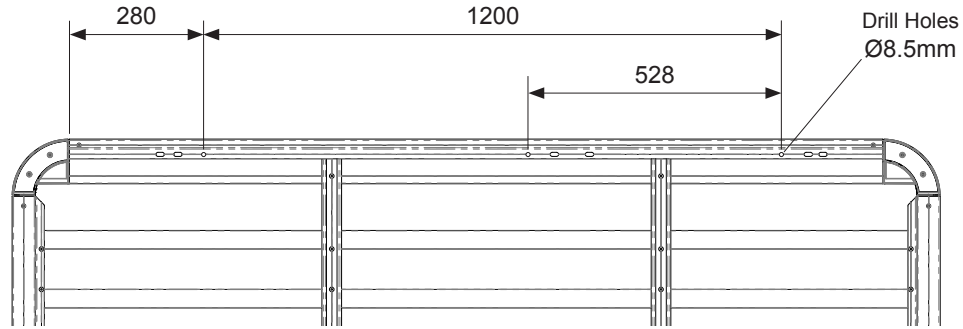




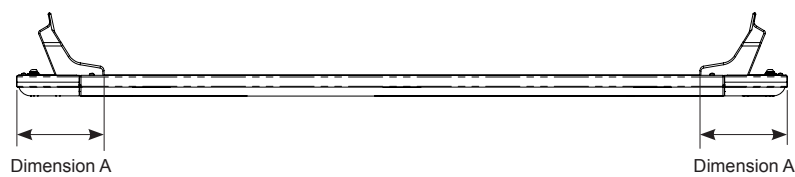
Fitting Chart - TOYOTA Prado 3dr 4WD 150 Series

- PIONEER 41102** (1928 x 1236mm)
- PIONEER 42102B** (1928 x 1236mm)
- PIONEER 45102B** (1928 x 1236mm)



Front of Tray

Front Crossbar			Middle Crossbar			Rear Crossbar			Approx. Overall Vehicle Height
Front Slot	Dim. A	Leg Height Spacer	Middle Slot	Dim. A	Leg Height Spacer	Rear Slot	Dim. A	Leg Height Spacer	
Drill Hole Ø8.5mm		QMHD05	Drill Hole Ø8.5mm		QMHD05	Drill Hole Ø8.5mm		QMHD05	



Country	Vehicle	Running Date	Vehicle Load Rating (kg / lbs)	Fit Kit
Australia & NZ	TOYOTA Prado 3dr 4WD 150 Series	11/09 - on	100 / 220	1 x RCP23-BK 1 x RCH6 3 x QMHD05

Rhino-Rack
3 Pike Street, Rydalmere,
NSW 2116, Australia.
(Ph) (02) 9638 4744
(Fax) (02) 9638 4822

Document No: R1504
Prepared By: Nigel Greig
Authorised By: Chris Murty

Issue No: 1
Issue Date: 02/12/2016

These instructions remain the property of Rhinorack Australia Pty Ltd and may not be used or changed for any other purpose than intended.