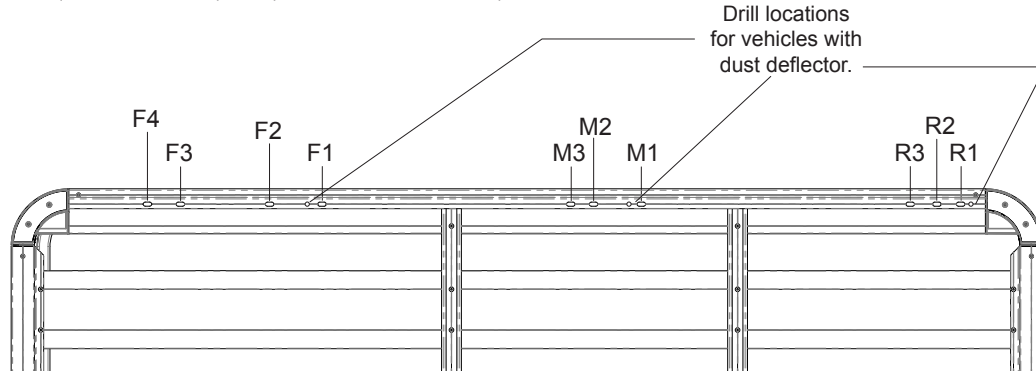


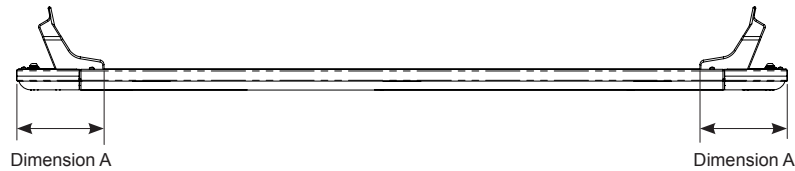


Fitting Chart - TOYOTA Land Cruiser 4dr 4WD 100 Series

- PIONEER 41104** (2128 x 1426mm) (6' 11 25/32" x 4' 8 9/64")
- PIONEER 42104B** (2128 x 1426mm) (6' 11 25/32" x 4' 8 9/64")
- PIONEER 45104B** (2128 x 1426mm) (6' 11 25/32" x 4' 8 9/64")



Front of Tray



Front Crossbar			Middle Crossbar			Rear Crossbar			Approx. Overall Vehicle Height
Front Slot	Dim. A	Leg Height Spacer	Middle Slot	Dim. A	Leg Height Spacer	Rear Slot	Dim. A	Leg Height Spacer	
F2		-	M2		-	R2		-	

Country	Vehicle	Running Date	Vehicle Load Rating (kg / lbs)	Fit Kit	Notes
Australia & NZ	TOYOTA Land Cruiser 4dr 4WD 100 Series	03/98 - 10/07	120 / 265	1 x RCP02-BK 1 x RCH6 3 x QMHD05	Vehicles fitted with a dust deflector on the rear tailgate (that lifts up) requires new crossbar positions. Mark positions 53mm back (towards rear of tray) from the centre of the slot positions detailed above, mark on both sides of the tray. Drill Ø8.5mm (21/64") holes in these positions and use instead of the specified slots.
USA & Canada	TOYOTA Land Cruiser 4dr SUV 100 Series	1998 - 2007			
South Africa	TOYOTA Land Cruiser 4dr SUV 100 Series	03/98 - 10/07			
UK & Europe	TOYOTA Land Cruiser 4dr 4WD 100 & 105 (Amazon)	04/98 - 10/07			

Rhino-Rack
3 Pike Street, Rydalmere,
NSW 2116, Australia.
(Ph) (02) 9638 4744
(Fax) (02) 9638 4822

Document No: R1489
Prepared By: Nigel Greig
Authorised By: Chris Murty

Issue No: 1
Issue Date: 14/09/2017

These instructions remain the property of Rhinorack Australia Pty Ltd and may not be used or changed for any other purpose than intended.