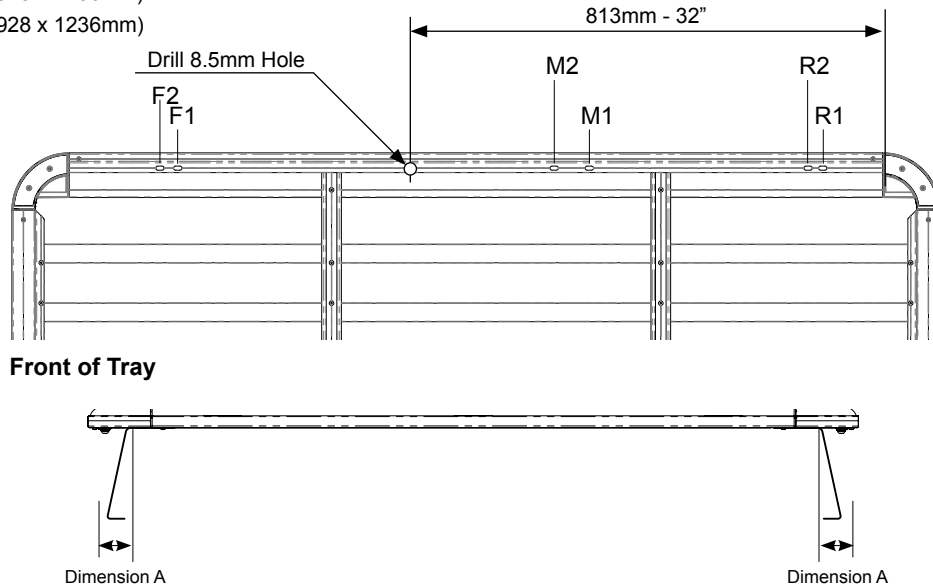




**Fitting Chart - TOYOTA Prado 5dr 4WD 150 Series with Backbone**

**PIONEER 41102** (1928 x 1236mm)  
**PIONEER 42102B** (1928 x 1236mm)  
**PIONEER 45102B** (1928 x 1236mm)



Front Crossbar			Middle Crossbar			Rear Crossbar			Approx. Overall Vehicle Height
Front Slot	Dim. A	Leg Height Spacer	Middle Slot	Dim. A	Leg Height Spacer	Rear Slot	Dim. A	Leg Height Spacer	
F2	EQUAL		Drill 813mm from Rear	EQUAL		R1	EQUAL		

**Maximum carrying capacity:**

Suitable Pioneers	On Road Cargo Allowance	Off Road Cargo Allowance	Static Allowance	Roof Allowance	Rack Weight
42102B	85.5kg / 189lb	61.5kg / 136lb	325.5kg / 718lb	120kg / 265lb	34.5kg / 76lb
45102B	83kg / 183lb	59kg / 130lb	323kg / 712lb		37kg / 82lb
41102	80kg / 177lb	56kg / 123lb	320kg / 705lb		40kg / 88lb

Country	Vehicle	Running Date	Fit Kit	Notes
<b>Australia &amp; NZ</b>	TOYOTA Prado 5dr 4WD 150 Series with Backbone	11/09 - on	1 x RTPB1	Fit Backbone system to vehicle before fitting Pioneer  Can be fitted to all Vehicle roof variations  Instructions include roof rail removal
<b>Central / South America</b>	TOYOTA Prado 5dr 4WD 150 Series with Backbone	2010 - on		
<b>South Africa</b>	TOYOTA Prado 5dr 4WD 150 Series with Backbone	12-09 - on		
<b>UK &amp; Europe</b>	TOYOTA Land Cruiser Prado 5dr 150 with Backbone	12-09 - on		

Rhino-Rack  
 3 Pike Street, Rydalmere,  
 NSW 2116, Australia.  
 (Ph) (02) 9638 4744  
 (Fax) (02) 9638 4822

Document No: R1088  
 Prepared By: Will Davis  
 Authorised By: Chris Murty

Issue No: 3  
 Issue Date: 27/11/2017

These instructions remain the property of Rhinorack Australia Pty Ltd and may not be used or changed for any other purpose than intended.