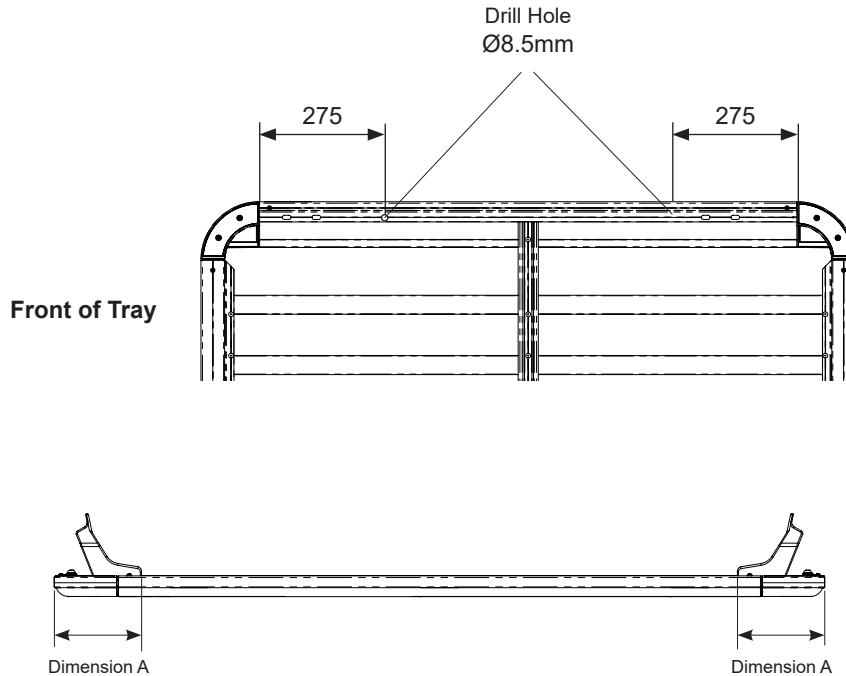




Fitting Chart - TOYOTA Hilux 2dr Ute Extra Cab

PIONEER 42109B (1328 x 1236mm)
PIONEER 45109B (1328 x 1236mm)



Front Crossbar			Rear Crossbar			Approx. Overall Vehicle Height
Front Slot	Dim. A	Leg Height Spacer	Rear Slot	Dim. A	Leg Height Spacer	
Drill Hole Ø8.5mm	160mm	QMW10 QMHD15	Drill Hole Ø8.5mm	160mm	QMW05 QMHD05	2120mm

Country	Vehicle	Running Date	Vehicle Load Rating (kg / lbs)	Fit Kit
Australia & NZ	TOYOTA Hilux 2dr Ute Extra Cab	10/15 - on	80 / 176	1 × RTS548 1 × RLT600 1 × QMHD05 1 × QMHD15 1 × QMW05 1 × QMW10
South Africa	TOYOTA Hilux 2dr Pickup Extra Cab	10/15 - on		
UK & Europe	TOYOTA Vigo Extra Cab	10/15 - on		

Note for Dealers and Fitters:

It is your responsibility to ensure these fitting instructions are given to the end user or client.

Rhino-Rack, 22 Hanson Pl, Eastern Creek
 NSW 2766, Australia
 (02) 8846 1900
 rhinorack.com.au

Document No: R1060
 Issue No: 05
 Issue Date: 23/07/2019

These instructions remain the property of Rhino-Rack Australia Pty. Ltd. and may not be used or changed for any other purpose than intended.