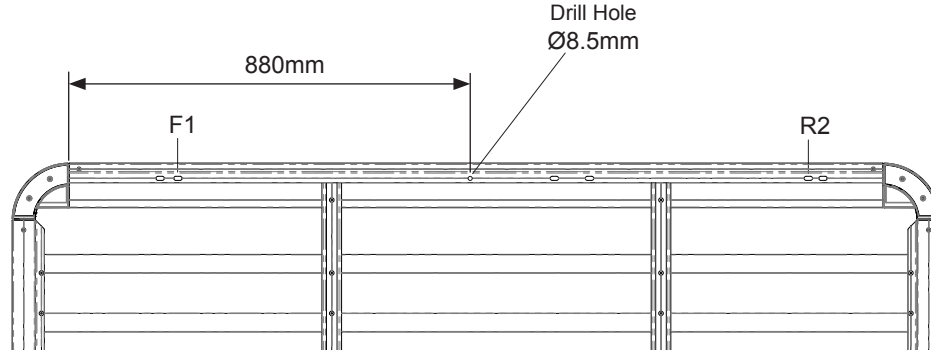


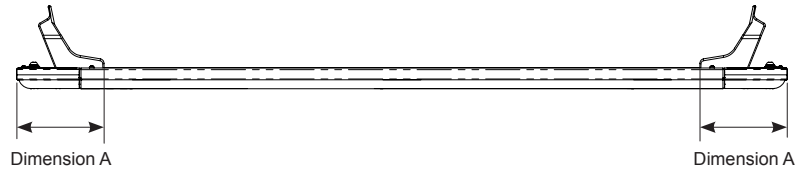


Fitting Chart - TOYOTA Fortuner GX 5dr SUV (Bare Roof - Track Mount)

PIONEER 41102 (1928 x 1236mm)
PIONEER 42102B (1928 x 1236mm)
PIONEER 45102B (1928 x 1236mm)



Front of Tray



Front Crossbar			Middle Crossbar			Rear Crossbar			Approx. Overall Vehicle Height
Front Slot	Dim. A	Leg Height Spacer	Middle Slot	Dim. A	Leg Height Spacer	Rear Slot	Dim. A	Leg Height Spacer	
F1	170mm (6 11/16")	QMHD15 QMW05	Drill Hole Ø8.5mm	180mm (7 3/32")	QMHD05	R2	193mm (7 19/32")	QMHD05	-

Country	Vehicle	Running Date	Vehicle Load Rating (kg / lbs)	Fit Kit
Australia & NZ	TOYOTA Fortuner GX 5Dr SUV - Bare Roof	2015 - on	100 / 220	1 X RTS544 1 x RLT600 1 x RLT600H 2 x QMHD05 1 x QMHD15 1 x QMW05

Note: Due to aerial and tail gate clearance Pioneer accessory 43129 - Roller 1070mm can not be fitted to rear of tray.

Rhino-Rack
 3 Pike Street, Rydalmere,
 NSW 2116, Australia.
 (Ph) (02) 9638 4744
 (Fax) (02) 9638 4822

Document No: R1057
 Prepared By: John Klinckenberg
 Authorised By: Chris Murty

Issue No: 2
 Issue Date: 27/07/2016

These instructions remain the property of Rhinorack Australia Pty Ltd and may not be used or changed for any other purpose than intended.