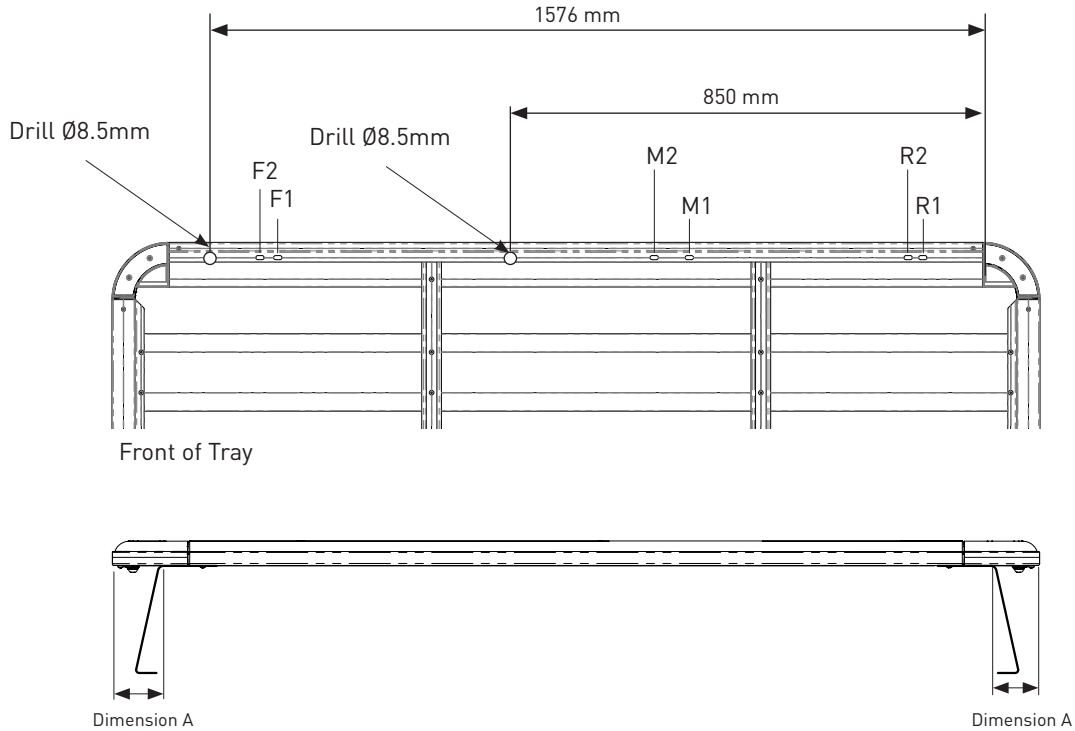




# Pioneer Platform / Pioneer Tray / Pioneer Tradie

Fitting Chart - LAND ROVER Defender 110 L663 4DR SUV with Backbone - 4X102

PIONEER 41102 (1928 x 1236mm)  
 PIONEER 42102B (1928 x 1236mm)  
 PIONEER 45102B (1928 x 1236mm)



| Front Crossbar    |                   |        | Middle Crossbar   |                   | Rear Crossbar |                   |        | Approx. Vehicle Added Height |
|-------------------|-------------------|--------|-------------------|-------------------|---------------|-------------------|--------|------------------------------|
| Front Slot        | Leg Height Spacer | Dim. A | Middle Slot       | Leg Height Spacer | Rear Slot     | Leg Height Spacer | Dim. A |                              |
| Drill Hole Ø8.5mm | -                 | EQUAL  | Drill Hole Ø8.5mm | -                 | R1            | -                 | EQUAL  | 98 mm                        |

| Country   | Vehicle  | Running Date | System Load Rating (kg / lbs)                                 | Fit Kit   | Notes   |
|---|--|--------------|---|-----------|---|
| AUS<br>NZ<br>SA<br>USA<br>CA<br>UK<br>EUR<br>ZA | LAND ROVER Defender 110 L663 4DR SUV with Backbone | 2019 - on    | Up to 100 / 220*<br><br>[System weight no included in figure] | 1 x RLDB1 | Fit Backbone system to vehicle before fitting Pioneer |

**\*CHECK YOUR VEHICLE OWNERS HAND BOOK FOR VEHICLE MAXIMUM CARRYING CAPACITY. PLEASE ENSURE YOU USE THE VEHICLE MANUFACTURERS MAXIMUM ROOF ALLOWANCE IF IT IS LOWER THAN THE FIGURE LISTED IN THIS INSTRUCTION.**

**Rhino-Rack**  
 22a Hanson Place,  
 Eastern Creek,  
 NSW 2766, Australia.  
 (Ph) (02) 8846 1900

Document No: R2952  
 Issue No: 1  
 Issue Date: 29/09/2021

These instructions remain the property of Rhino-Rack Australia Pty Ltd and may not be used or changed for any other purpose than intended.