

RHINO-RACK®

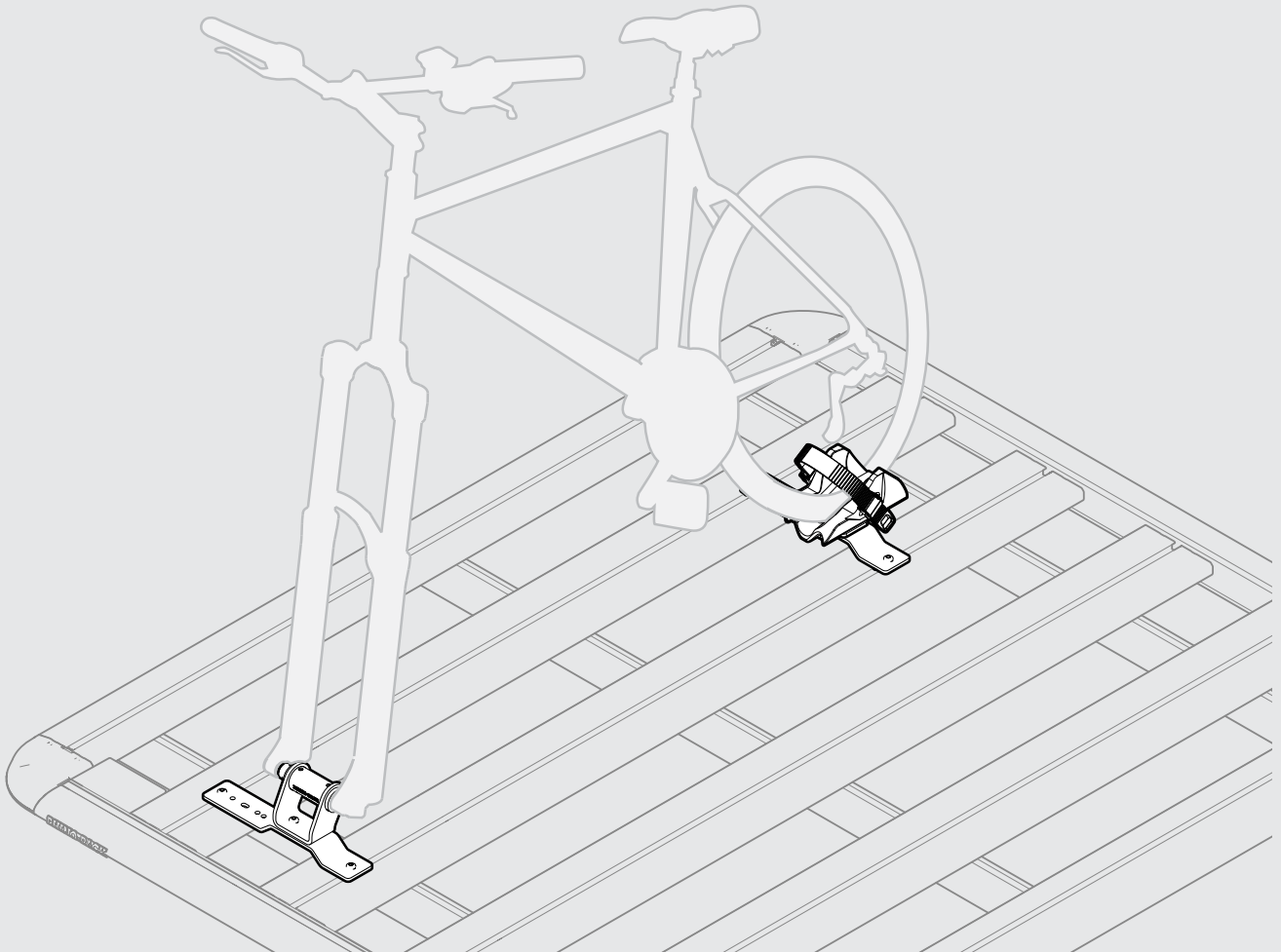
Thru Axle Bike Carrier

61018

Important:

1. Check the Rhino-Rack website to ensure you have the latest issue of these instructions.
2. Please refer to your fitting instruction to ensure that the roof racks are installed in the correct locations.
3. Check the contents of kit before commencing fitment and report any discrepancies.
4. Place these instructions in the vehicle's glove box after installation is complete.
5. These instructions must be followed for warranty to be upheld.

Fit Time: 10 mins



RHINORACK.COM

Doc. No: 520-RFI-00155

Issue No: 01

Issue Date: 25/10/2023

Carrying Capacity

Check your vehicle owners hand book for vehicle maximum carrying capacity. Please ensure you use the vehicle manufacturer's maximum roof allowance if it is lower than the figure listed in this instruction. Load must be evenly distributed over the system.

System Load Limit: Total permissible weight allowed on top, and attached to roof racks whilst the vehicle is in motion.

Off Road: Any driven path taken that does not contain a surface protection layer (tar/bitumen).

SYSTEM LOAD LIMIT	17kg / 37lbs
OFF ROAD CARGO ALLOWANCE	11kg / 24lbs

Warning

- Check part number or kit is correct for use with your vehicle.
- Do not attempt to fit the rack system to your vehicle unless you fully understand these fitting instructions. Please direct any questions regarding fitting to the dealer from where the roof racks were purchased.
- Off-road conditions can be much more rigorous. Extreme care must be taken on any driven path that does not contain a surface protection layer (tar/bitumen).
- Racks must be removed when vehicle is put through an automatic car wash.
- With utility/pick up vehicles, the cabin and the utility tray/truck bed move independently. Racks and vehicle can be damaged if the item transported is rigidly fixed at points on both the cabin and utility tray/truck bed. Instead, rigidly fix to either the utility tray/bed racks or the canopy roof racks.
- Always ensure you fasten your load securely.

In service maintenance checks

- All bolt connections should be checked after driving a short distance when you first install your roof racks.
- All bolted connections should be checked again at regular intervals (weekly is recommended, depending on road conditions, usage, loads and distances travelled).
- All bolted connections should be checked each time they are re-fitted.
- Off-road conditions are more rigorous. Check all bolted connections and your load more regularly.
- Ensure that your vehicle manufacturer's GVM, and gross axle weights are not exceeded (refer to vehicle owner's manual).

Torque Settings:

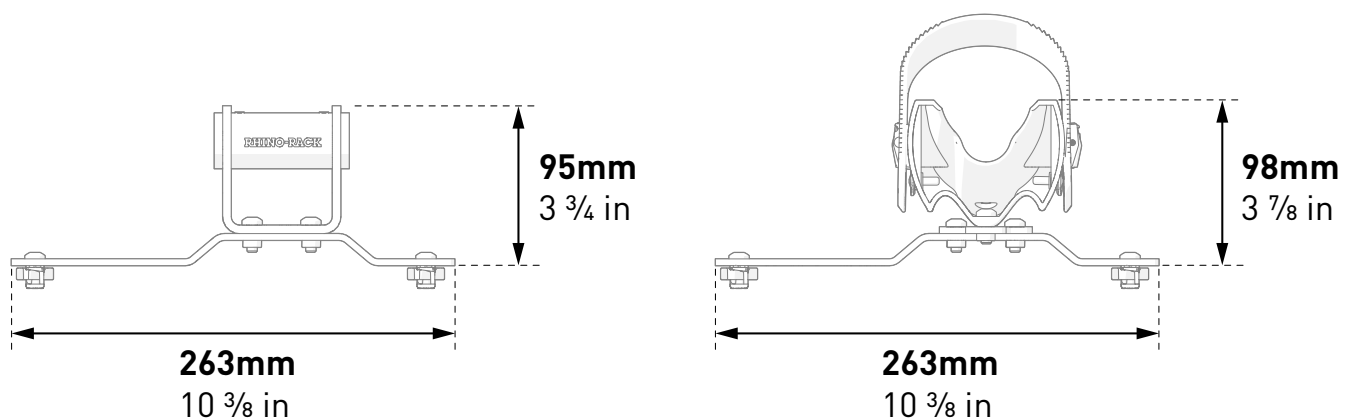
Unless stated otherwise in these instructions, all fasteners should be set to the following torque settings:



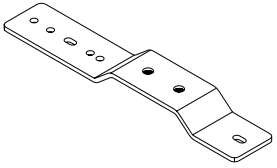
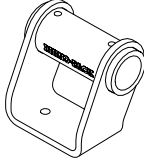
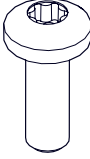
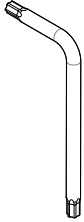
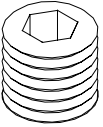

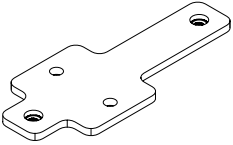
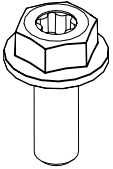
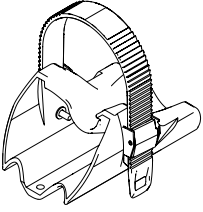
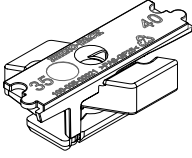
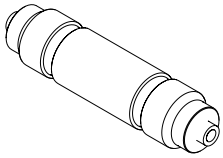
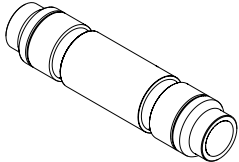
Note for Dealers and Fitters

It is your responsibility to ensure these fitting instructions are given to the end user or client. These instructions remain the property of Rhino-Rack Australia Pty. Ltd. and may not be used or changed for any other purpose than intended.

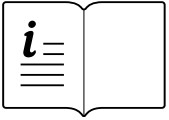
Product Dimensions



Parts

<p>Multi Axle Mount Bracket</p>  <p>A x2</p>	<p>Multi Axle Fork Mount</p>  <p>B x1</p>	<p>M6 x 16mm Torx Pan Head Screw</p>  <p>C x8</p>	<p>Torx T30 L-Key</p>  <p>D x1</p>
<p>M6 x 6mm Grub Screw</p>  <p>E x2</p>	<p>3mm Hex Allen Key</p>  <p>F x1</p>	<p>Rear Wheel Adaptor Plate</p>  <p>G x1</p>	<p>M6 x 16mm Hex Head Flanged Bolt</p>  <p>H x2</p>
<p>Rear Wheel Mount</p>  <p>I x1</p>	<p>Zwifloc</p>  <p>J x4</p>	<p>9 x 100 Quick Release Axle Adaptor Insert</p>  <p>K x1</p>	<p>15 x 110 Thru Axle Adaptor Insert</p>  <p>L x1</p>

Fitting Instructions

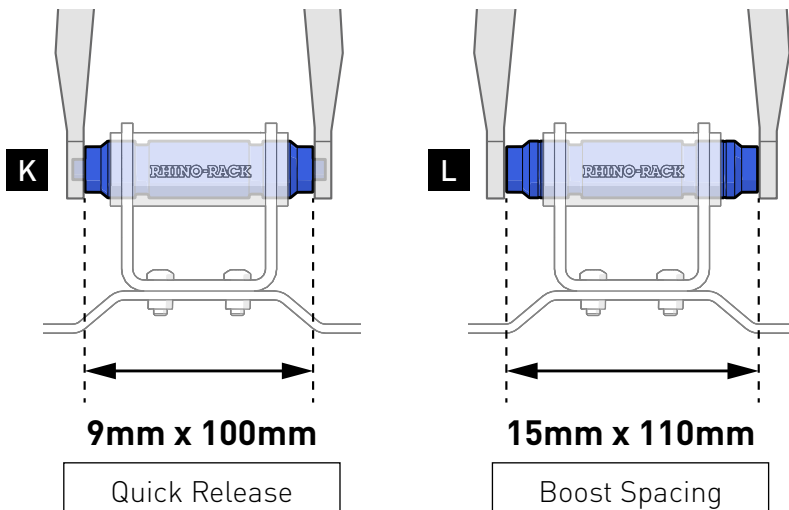


M x1

TOOLS REQUIRED:

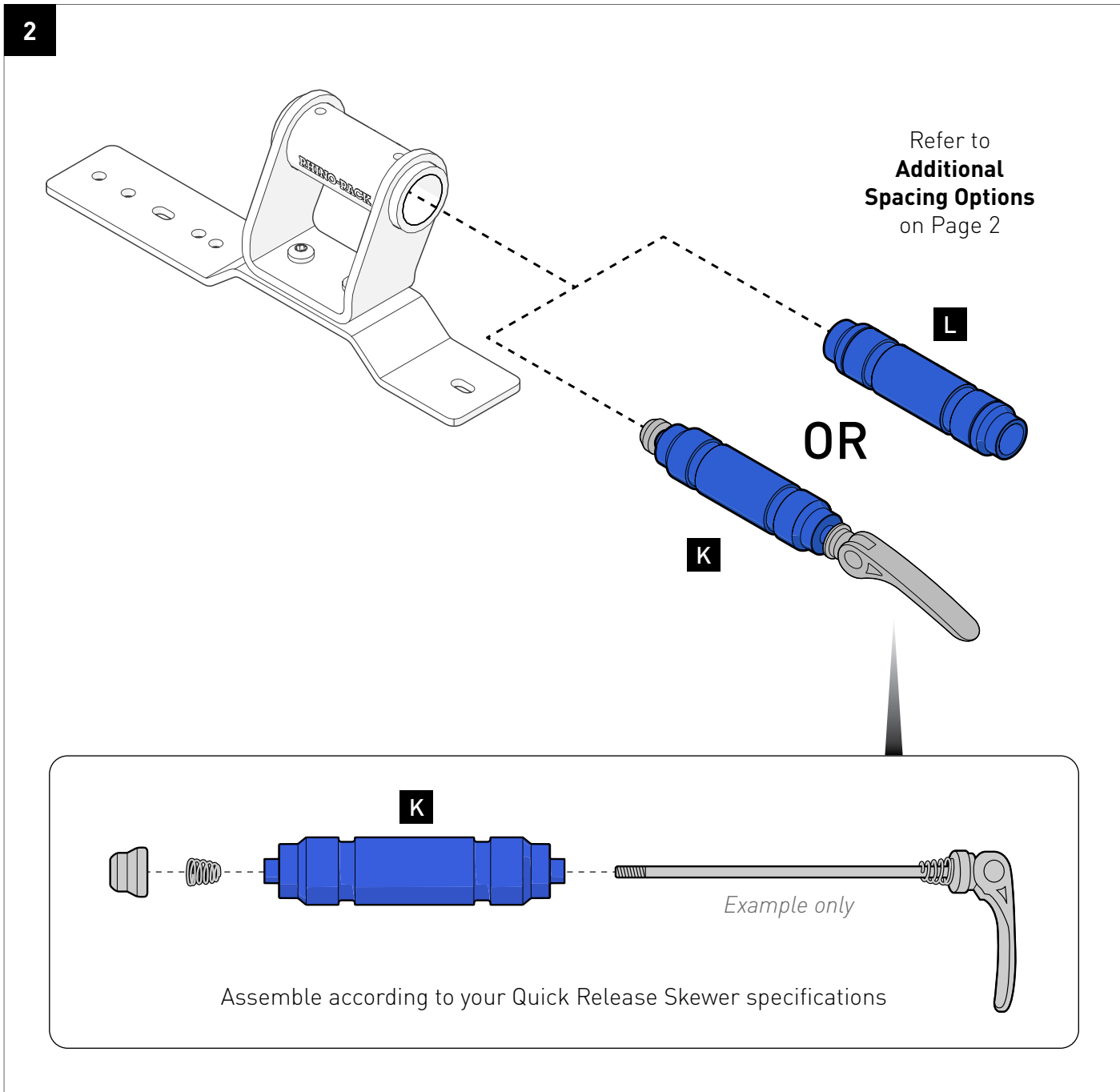
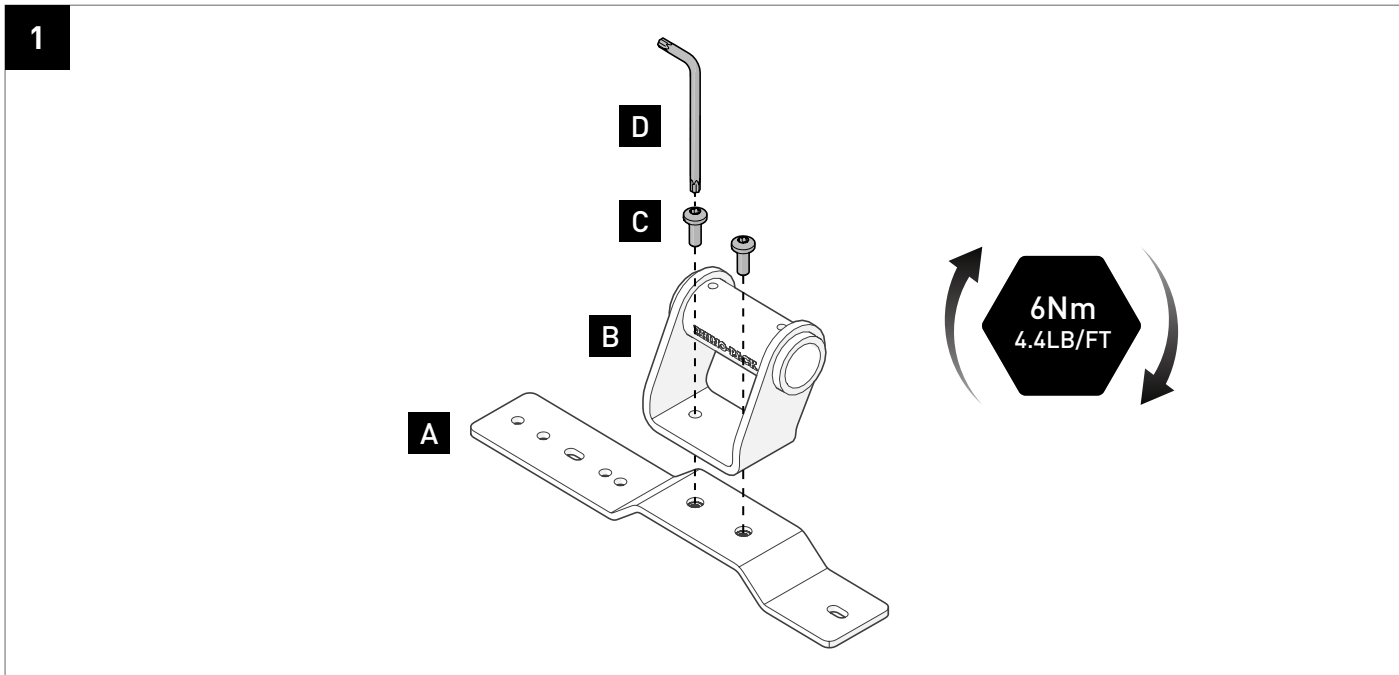
- T1 - Tape Measure
- T2 - 10mm Spanner (Optional)

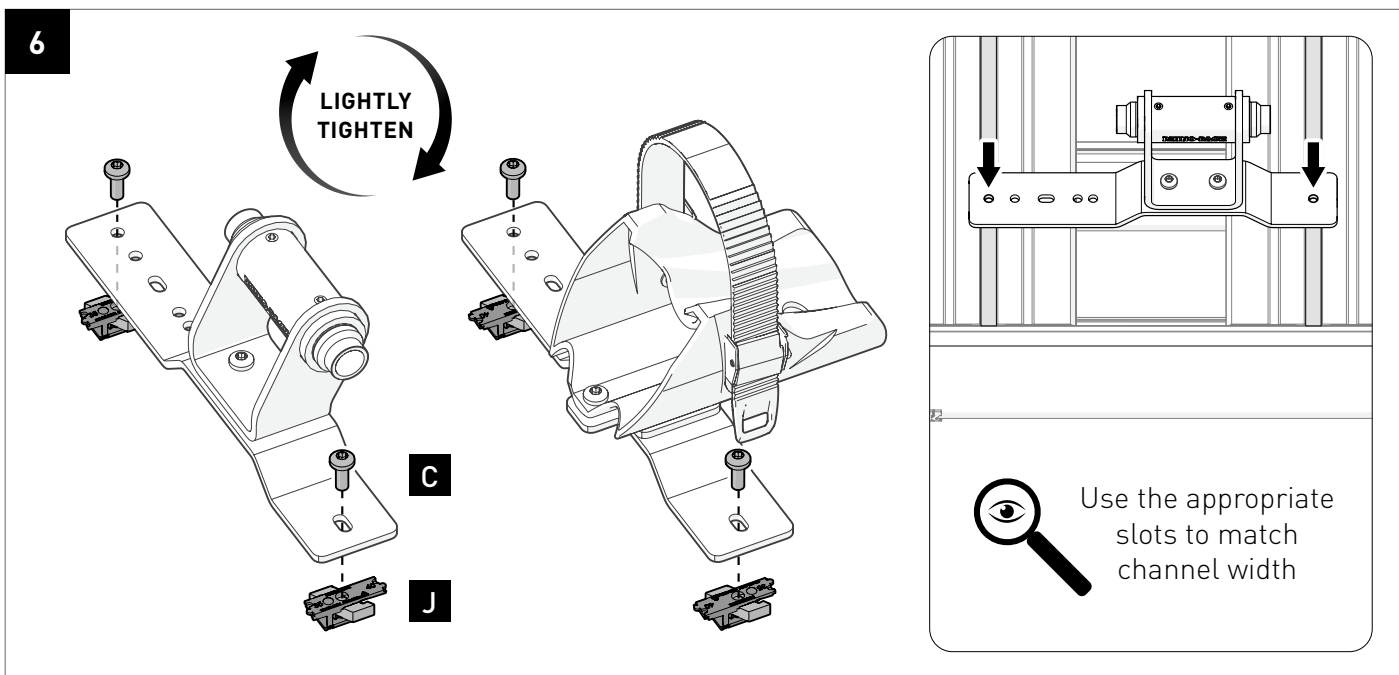
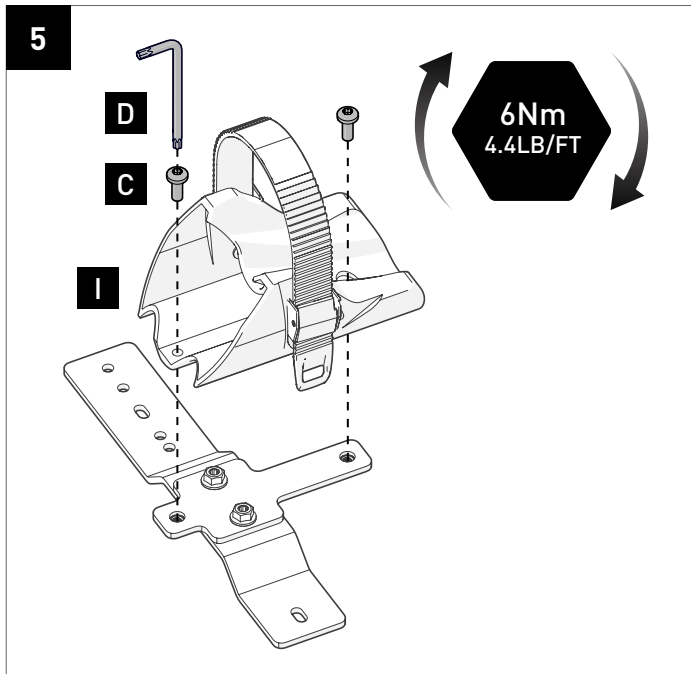
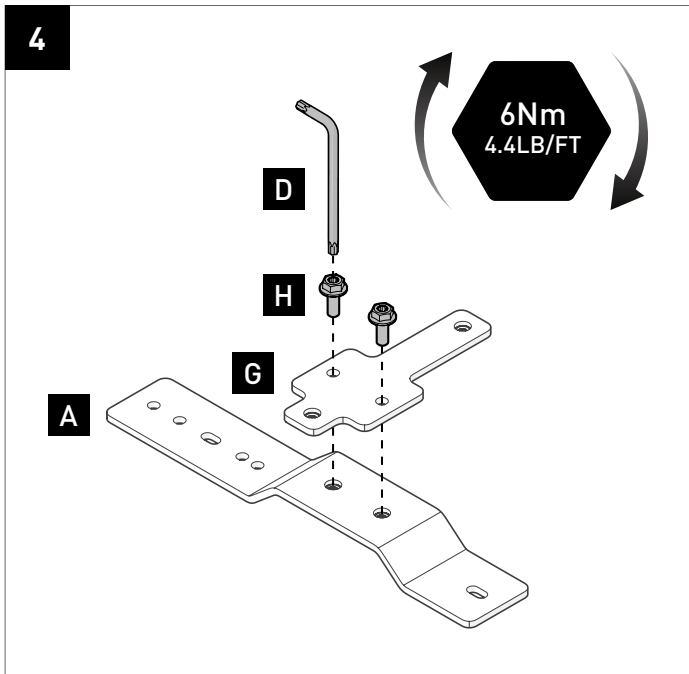
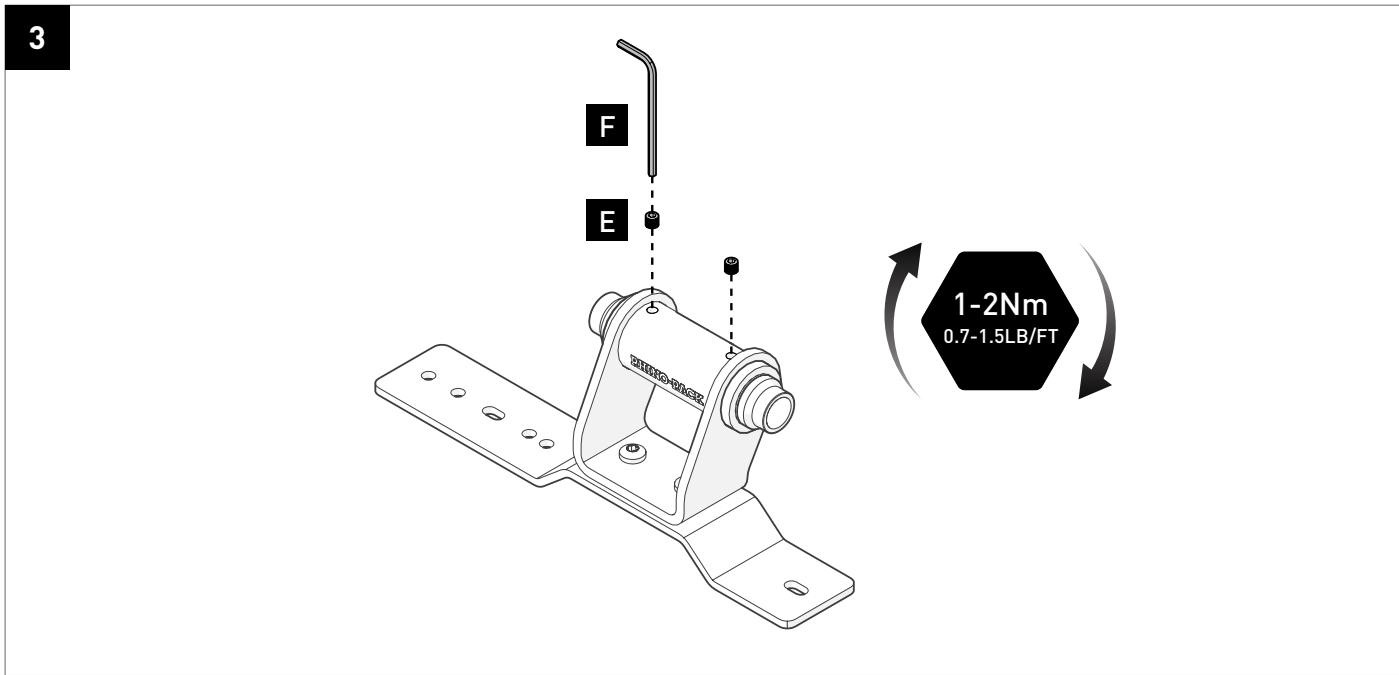
Thru Axle Dimensions



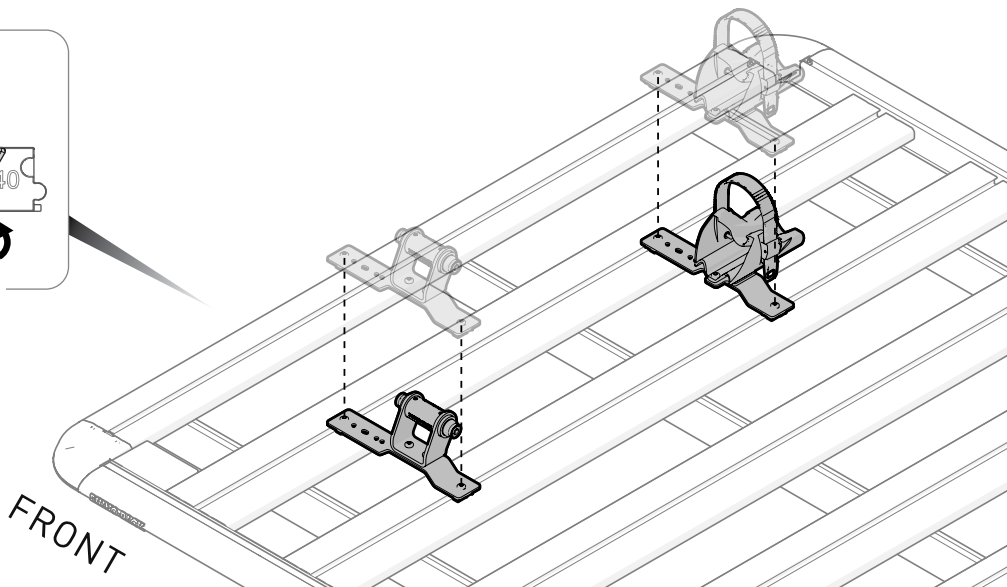
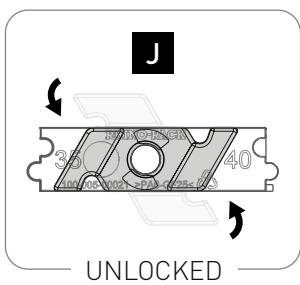
Additional Spacing Options <i>Sold Separately</i>	
AXLE PART #	DESCRIPTION
RBCA030 <i>(Multi Axle Adaptor Kit)</i>	12mm x 100mm 15mm x 100mm 20mm x 110mm
RBCA031	12mm x 100mm
RBCA040	15mm x 100mm <i>(Non-Boost)</i>

Available at Rhinorack.com

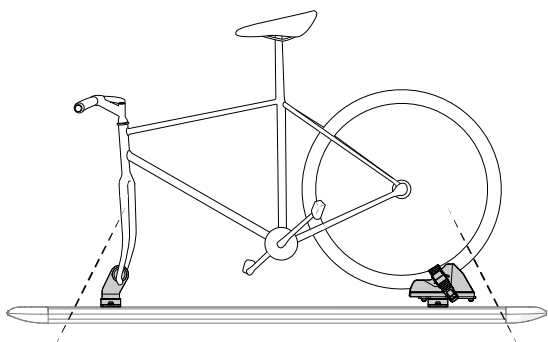




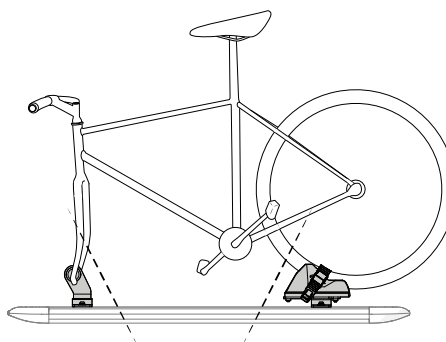
7



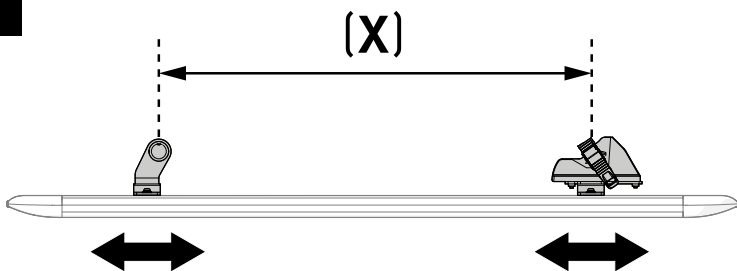
LONG PLATFORMS:



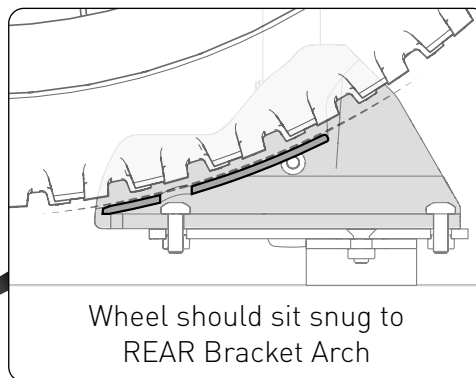
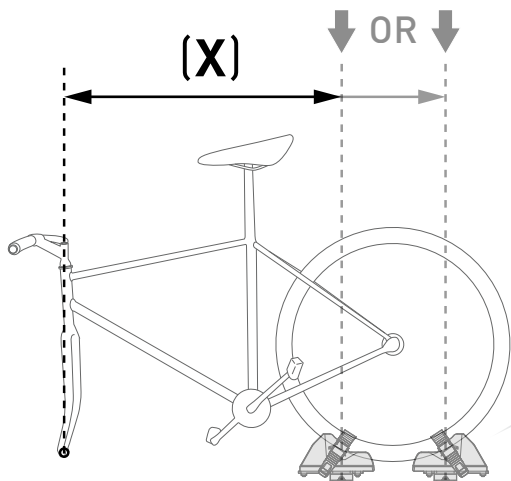
SHORT PLATFORMS:



8

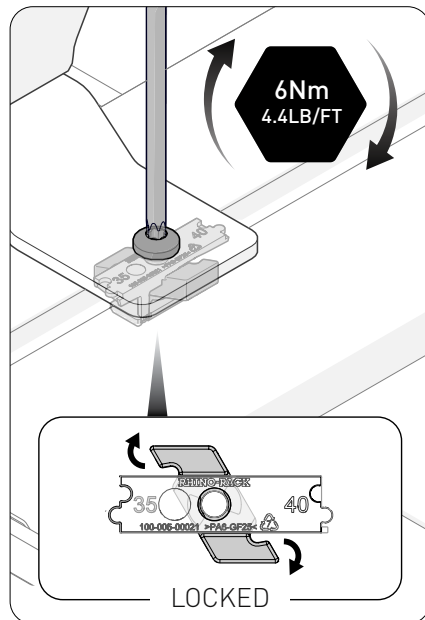
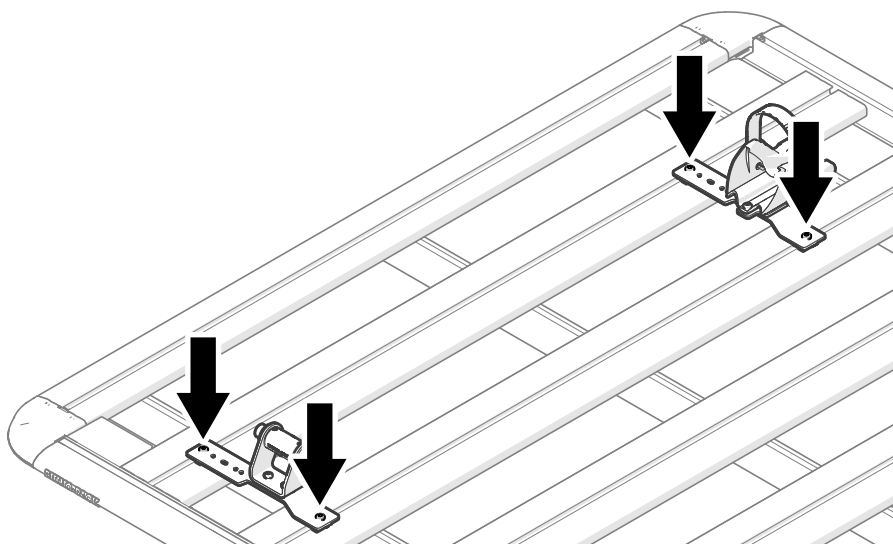


Move brackets to suit your bicycle and tyre dimensions.

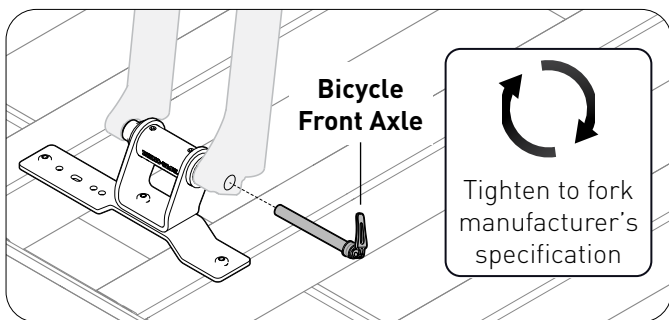


Perform a test fit before proceeding.

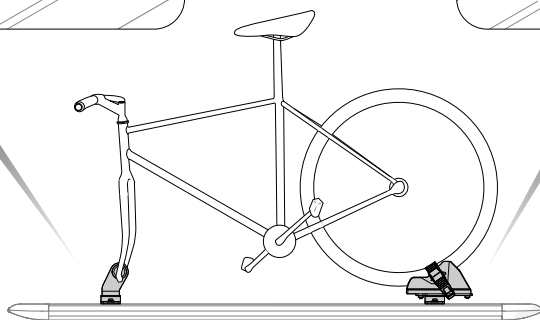
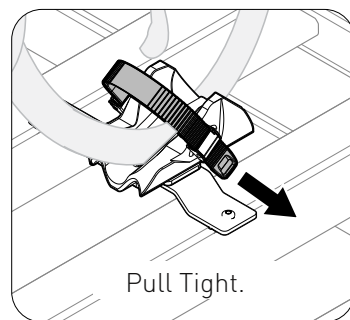
9



10



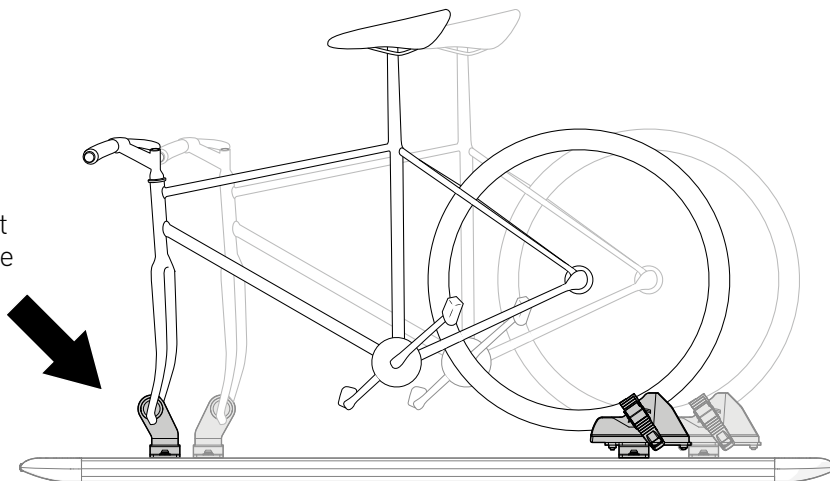
Example only

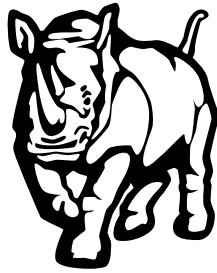


NOTE

When using multiple carriers, offset the brackets to suit different styles of bikes while preventing the handlebars from clashing.

TIP: Rotating the front carrier can help create extra clearance.





RHINO-RACK®

MAKE SPACE FOR ADVENTURE

RHINORACK.COM

Rhino-Rack AUSTRALIA

22A Hanson Pl,
Eastern Creek, NSW, 2766

Rhino-Rack USA

19822 East 22nd Ave,
Aurora, CO, 80011