

# RHINO-RACK®

## 6 Series Pioneer Platform Side Rails Instructions

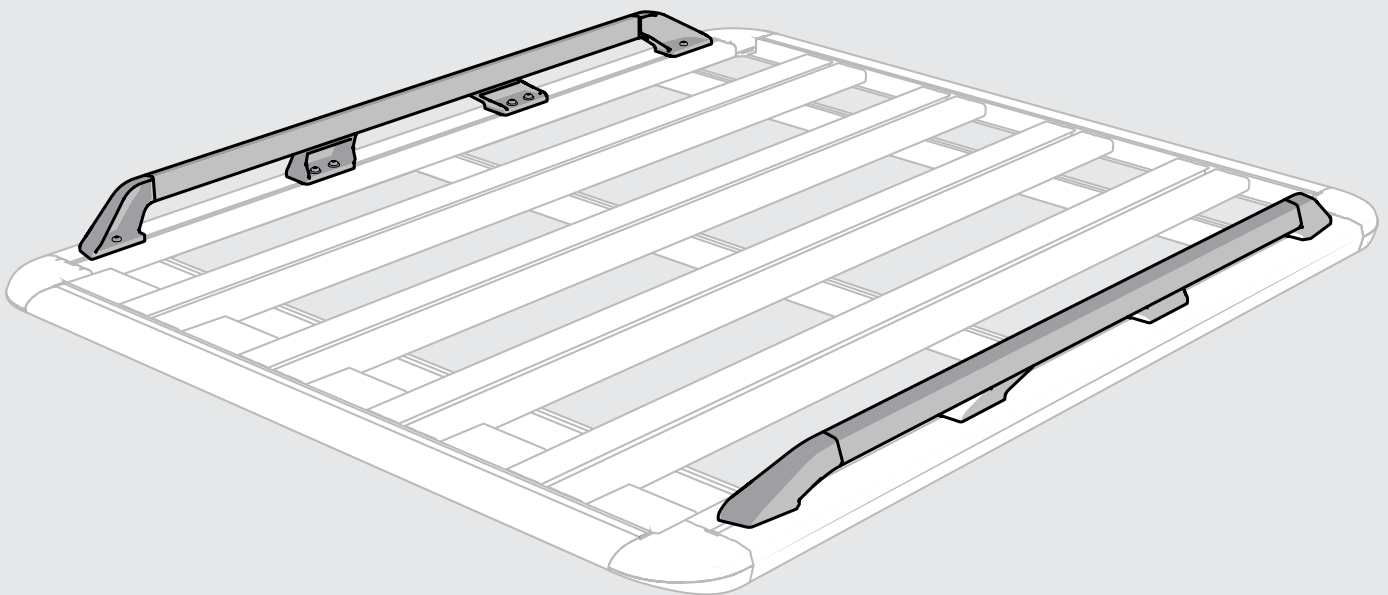
61010 61011 61012

### Important:

1. Check the Rhino-Rack website to ensure you have the latest issue of these instructions.
2. Please refer to your fitting instruction to ensure that the roof racks are installed in the correct locations.
3. Check the contents of kit before commencing fitment and report any discrepancies.
4. Place these instructions in the vehicle's glove box after installation is complete.
5. These instructions must be followed for warranty to be upheld.

**Fit Time:** 30mins

## PIONEER™

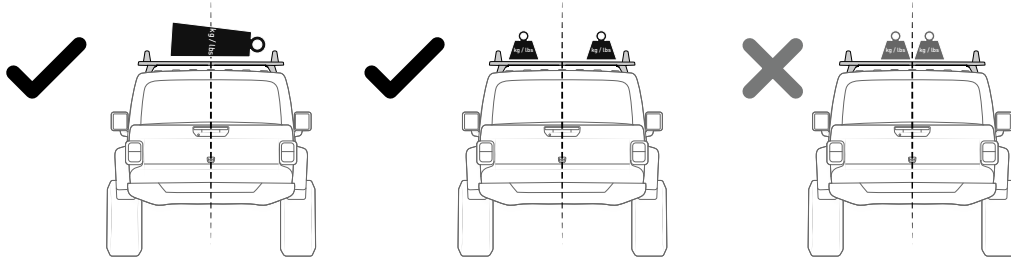


**RHINORACK.COM**

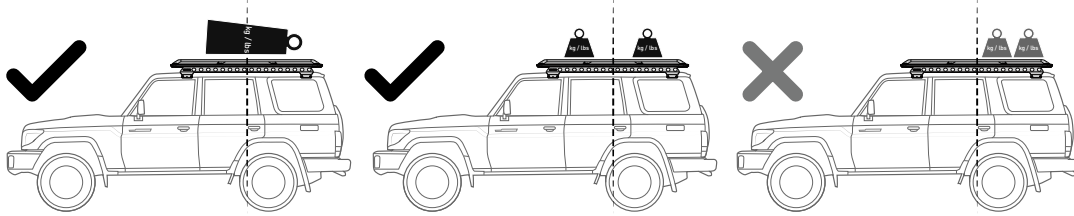
Document No: 520-RFI-00141

Issue No: 01

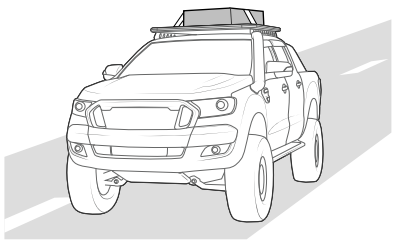
Issue Date: 22/06/2023



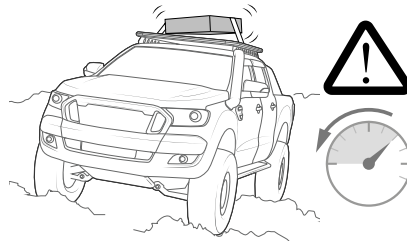
Distribute loads evenly and longitudinally as low as possible over the span.



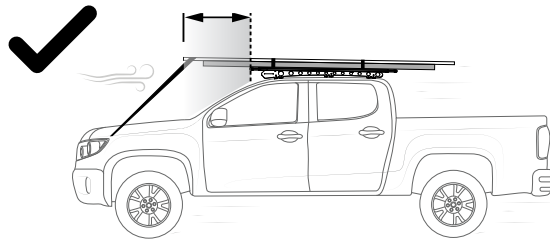
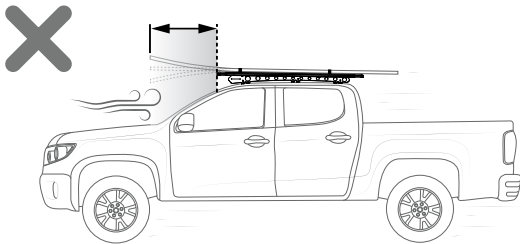
Avoid point loads concentrated at the front or rear.



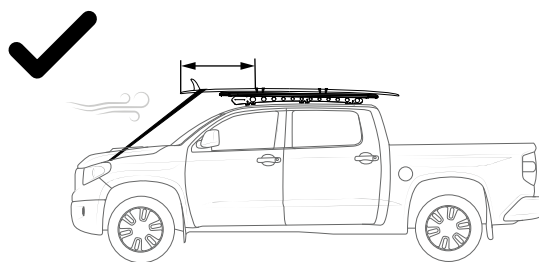
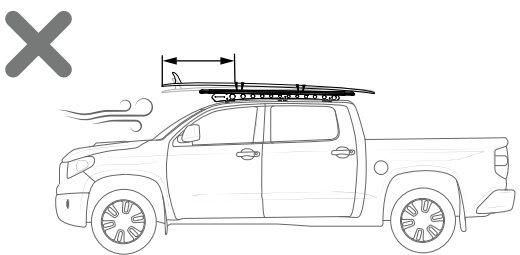
Exercise extreme care when transporting wind-resistant loads. Special consideration must be taken when cornering and braking.



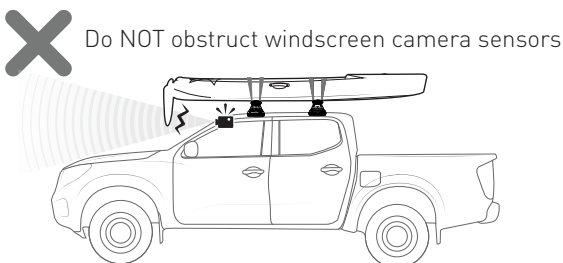
Off-road conditions can be much more rigorous. Extreme care must be taken on any driven path that does not contain a surface protection layer (tar/bitumen).



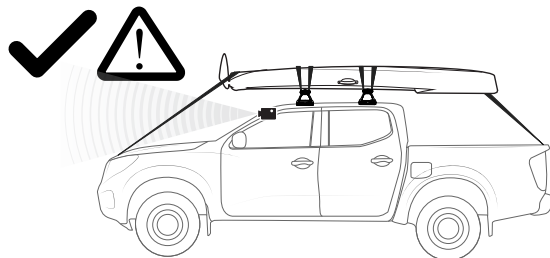
Long flexible loads must attach securely to rigid support and be tied down to the bonnet.



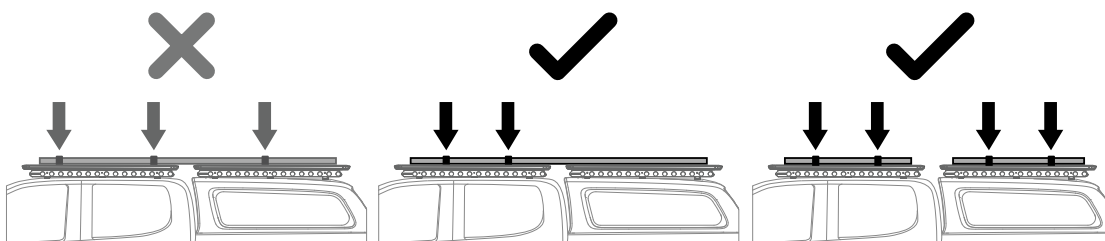
Surfboard Overhang greater than **600mm / 23 5/8in** must be tied to the bonnet



Do NOT obstruct windscreen camera sensors

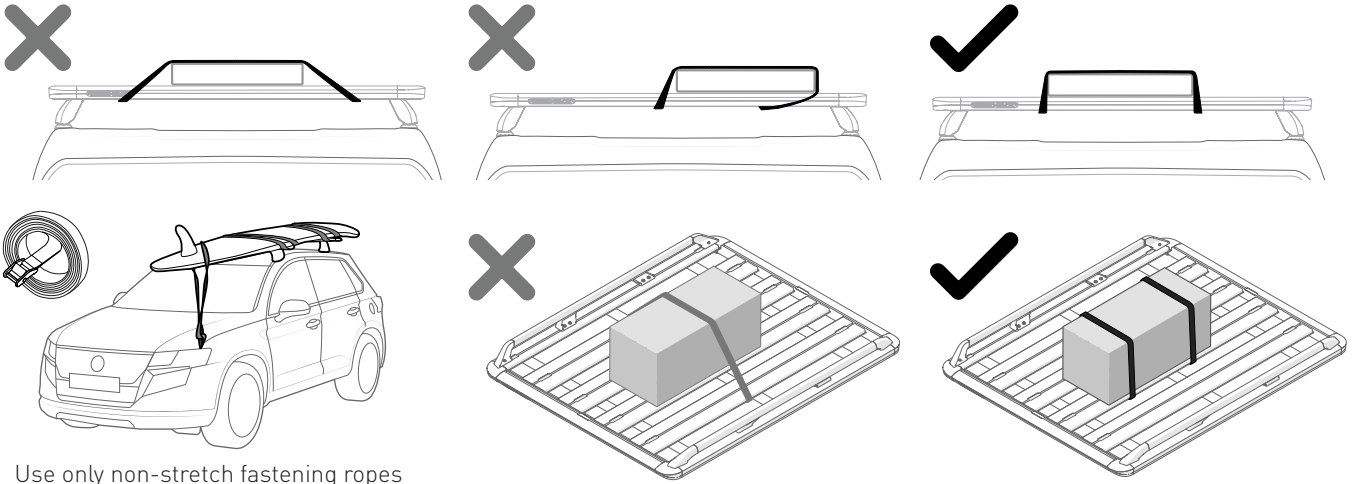


Warranty for roof rack system will be void if the front of the kayak is not secured to the bonnet

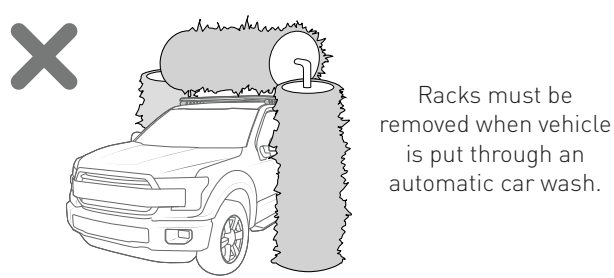


Tub/tray/canopys can move independently from the vehicle cabin.

Rigidly fix to either the cabin roof racks **or** the tub/tray/canopy roof racks but not both simultaneously.



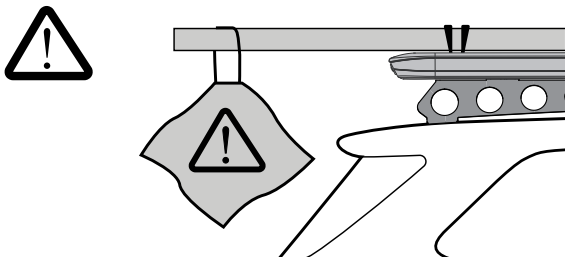
Use only non-stretch fastening ropes or straps to attach cargo to roof racks



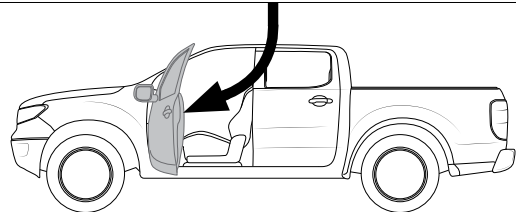
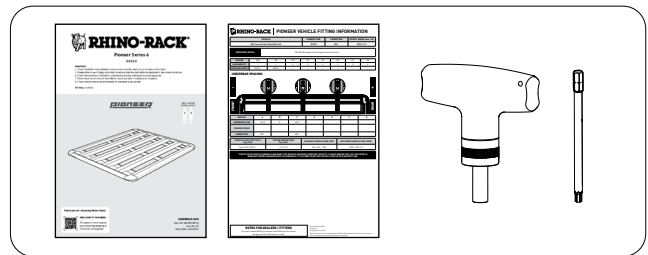
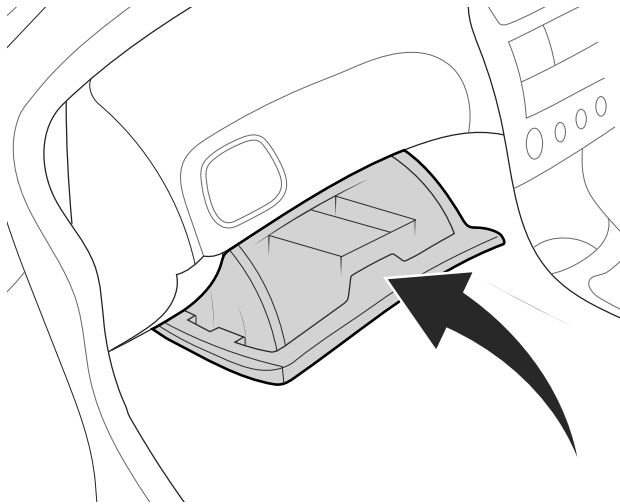
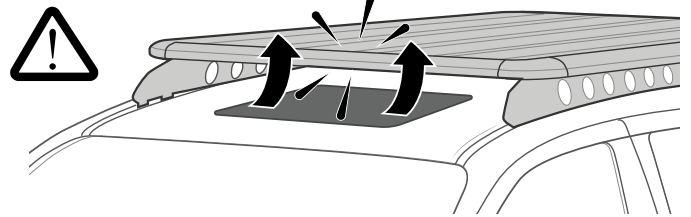
Racks must be removed when vehicle is put through an automatic car wash.



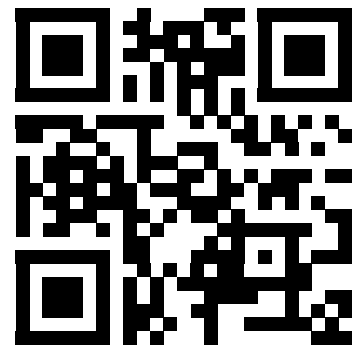
Ensure Ladder is well supported on the ground to support tent. Take extreme caution when climbing heights above 1.2m/4ft.



Ensure sunroof will not collide with roof rack system.

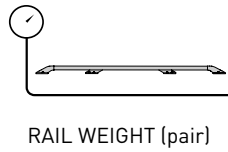


Youtube.com/RhinoRackAustralia



## Carrying Capacity

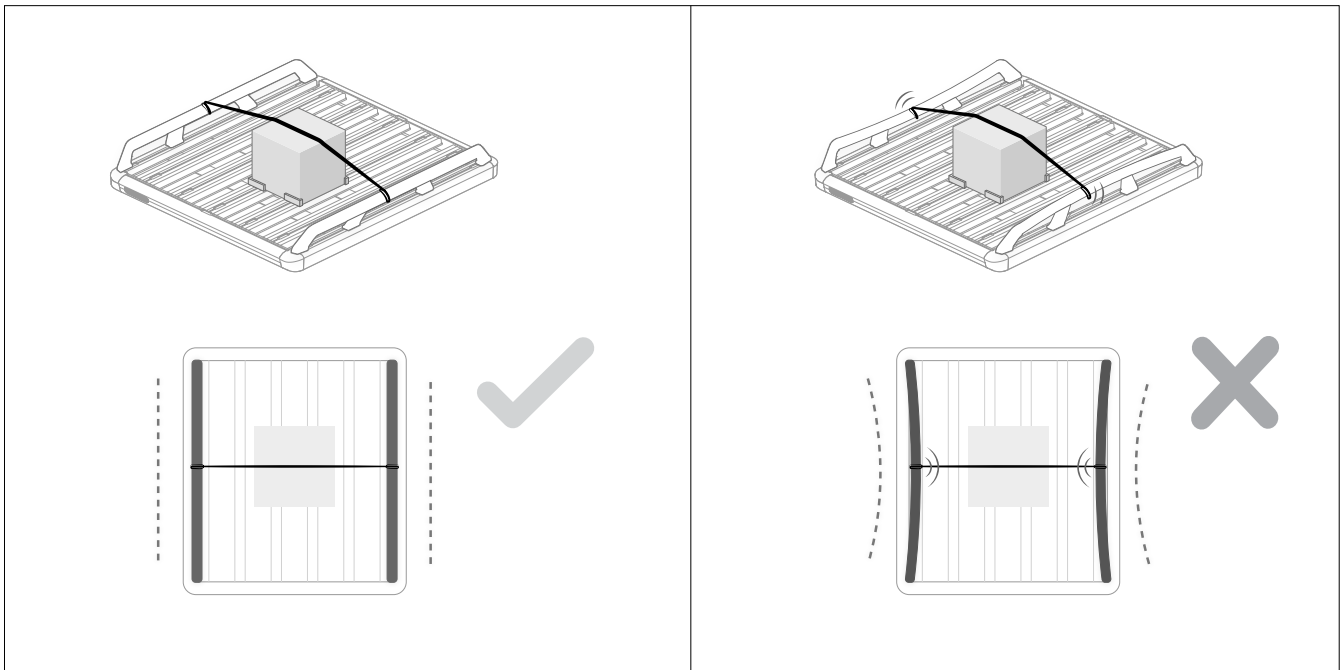
Check your vehicle owners hand book for vehicle maximum carrying capacity. Load must be evenly distributed over the system.



61010	2.4kg / 5.3lbs
61011	3.3kg / 7.2 lbs
61012	3.5kg / 7.7lbs

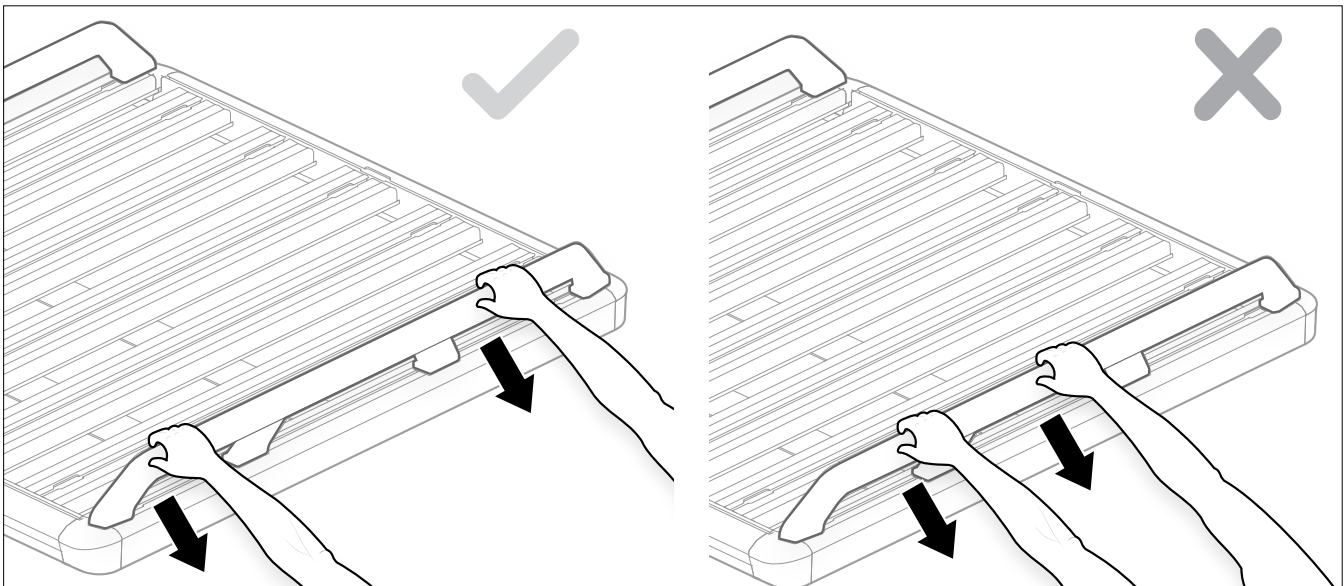
### Maximum strapping force = 100kg / 220lbs

When strapping to side rails, do not overtighten straps where rail is deformed. If rail begins to deform loosen strap. Do NOT strap with ratchet straps on the side rails

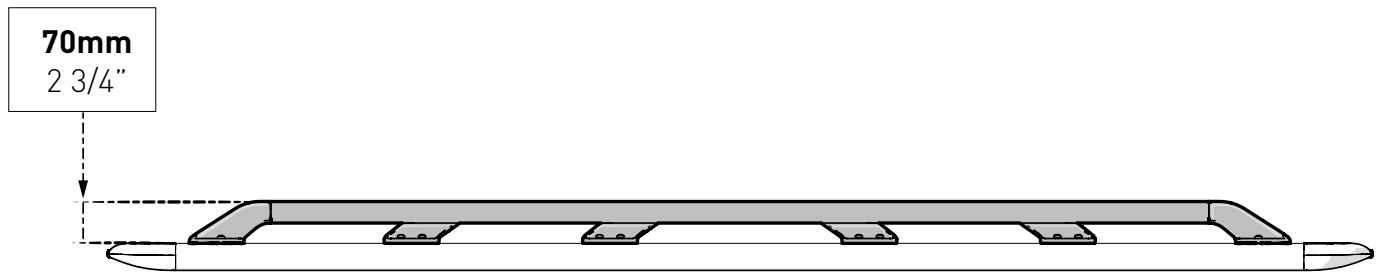


### Maximum pull force = 200kg. / 440lbs

When grabbing to side rails, grab the rail further apart to spread the load through different feet mountings.



## Added Height



## Warning

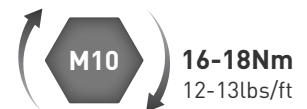
- Check part number or kit is correct for use with your vehicle.
- Do not attempt to fit the system to your vehicle unless you fully understand these fitting instructions. Please direct any questions regarding fitting to the dealer from where the products were purchased.
- Off-road conditions can be much more rigorous. Extreme care must be taken in off road conditions.
- Roof racks must be removed when vehicle is put through an automatic car wash.
- With utility vehicles, the cabin and the canopy move independently. Roof accessories and vehicle can be damaged if the item transported is rigidly fixed at points on both the cabin and canopy. Instead, rigidly fix to either the cabin or the canopy roof racks.
- Always ensure you fasten your load securely.
- Use only non-stretch fastening ropes or straps to attach cargo to your load.

## In Service Maintenance Checks

- All bolt connections should be checked after driving a short distance when you first install your roof racks.
- All bolted connections should be checked again at regular intervals (weekly is recommended, depending on road conditions, usage, loads and distances travelled).
- All bolted connections should be checked each time they are re-fitted.
- Off-road conditions are more rigorous. Check all bolted connections and your load more regularly.
- Ensure that your vehicle manufacturer's GVM, and gross axle weights are not exceeded (refer to vehicle owner's manual).

### Torque Settings:

Unless stated otherwise in these instructions, all fasteners should be set to the following torque settings:



## Note for Dealers and Fitters

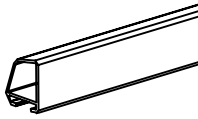
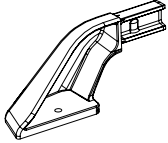
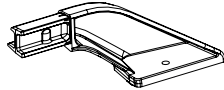
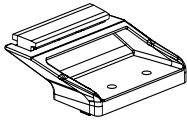
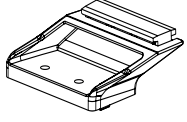
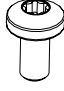
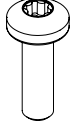
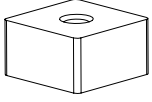



It is your responsibility to ensure these fitting instructions are given to the end user or client. These instructions remain the property of Rhino-Rack Australia Pty. Ltd. and may not be used or changed for any other purpose than intended.

## Warranty

We love creating our products for you and hope you love using them too. For complete peace of mind, register your product at [www.rhinorack.com/warranty](http://www.rhinorack.com/warranty). This way, we can quickly help you with any future approved fitment warranty claims.

And remember – never to forget to **Make Space For Adventure!**

**61010 Parts List**


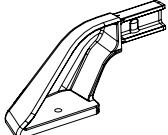
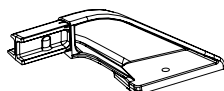
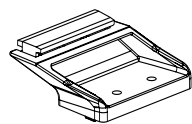
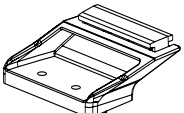
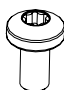
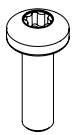
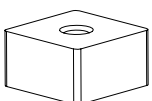
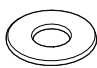

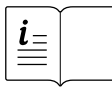
<p>Rail Extrusion</p>  <p><b>A</b> x2</p>	<p>RHS End Foot</p>  <p><b>B</b> x2</p>	<p>LHS End Foot</p>  <p><b>C</b> x2</p>	<p>LHS Support Foot</p>  <p><b>D</b> x2</p>
<p>RHS Support Foot</p>  <p><b>E</b> x2</p>	<p>M6x12 Pan Head Screw</p>  <p><b>F</b> x4</p>	<p>M6x20 Torx Pan Head Screw</p>  <p><b>G</b> x12</p>	<p>M6 Track Nut</p>  <p><b>H</b> x12</p>
<p>M6 Washer</p>  <p><b>I</b> x8</p>	<p>Torx Bit</p>  <p><b>J</b> x1</p>	<p>Instruction</p>  <p><b>K</b> x1</p>	

**Tools Required**

**T1** - Torque tool (Supplied with 6XXX Series Pioneer Platform)

**T2** - Tape Measure

**61011 / 61012 Parts List**

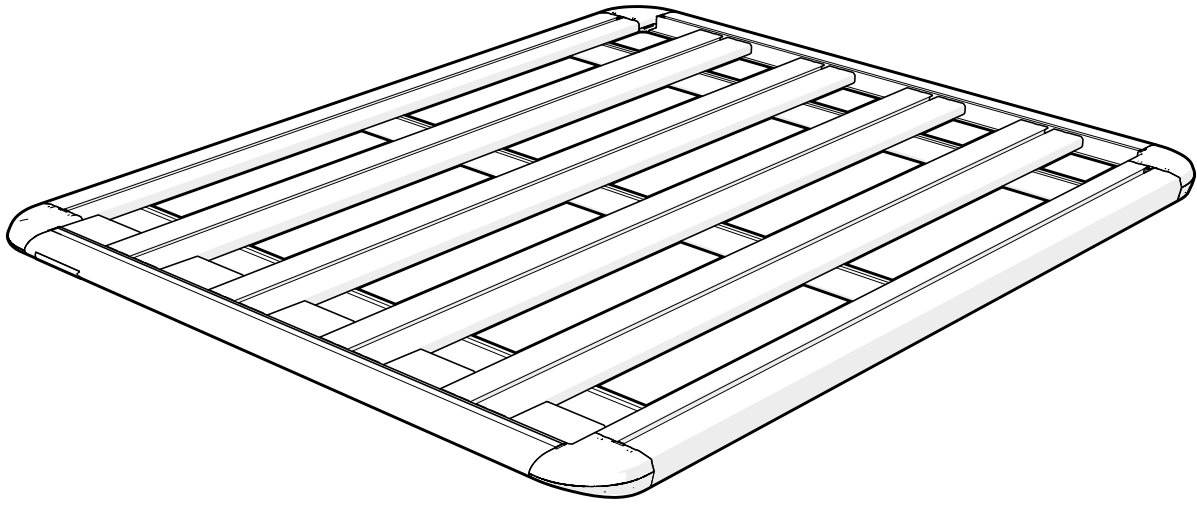
<p>Rail Extrusion</p>  <p><b>A</b> x2</p>	<p>RHS End Foot</p>  <p><b>B</b> x2</p>	<p>LHS End Foot</p>  <p><b>C</b> x2</p>	<p>LHS Support Foot</p>  <p><b>D</b> x4</p>
<p>RHS Support Foot</p>  <p><b>E</b> x4</p>	<p>M6x12 Pan Head Screw</p>  <p><b>F</b> x4</p>	<p>M6x20 Torx Pan Head Screw</p>  <p><b>G</b> x20</p>	<p>M6 Track Nut</p>  <p><b>H</b> x20</p>
<p>M6 Washer</p>  <p><b>I</b> x16</p>	<p>Torx Bit</p>  <p><b>J</b> x1</p>	<p>Instruction</p>  <p><b>K</b> x1</p>	

**Tools Required**

**T1** - Torque tool (Supplied with 6XXX Series Pioneer Platform)

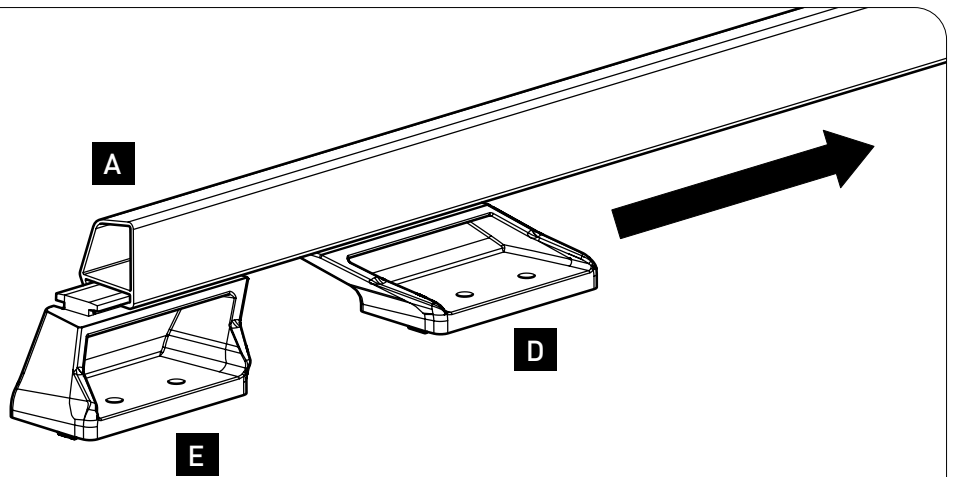
**T2** - Tape Measure

**1** Platform must be preassembled

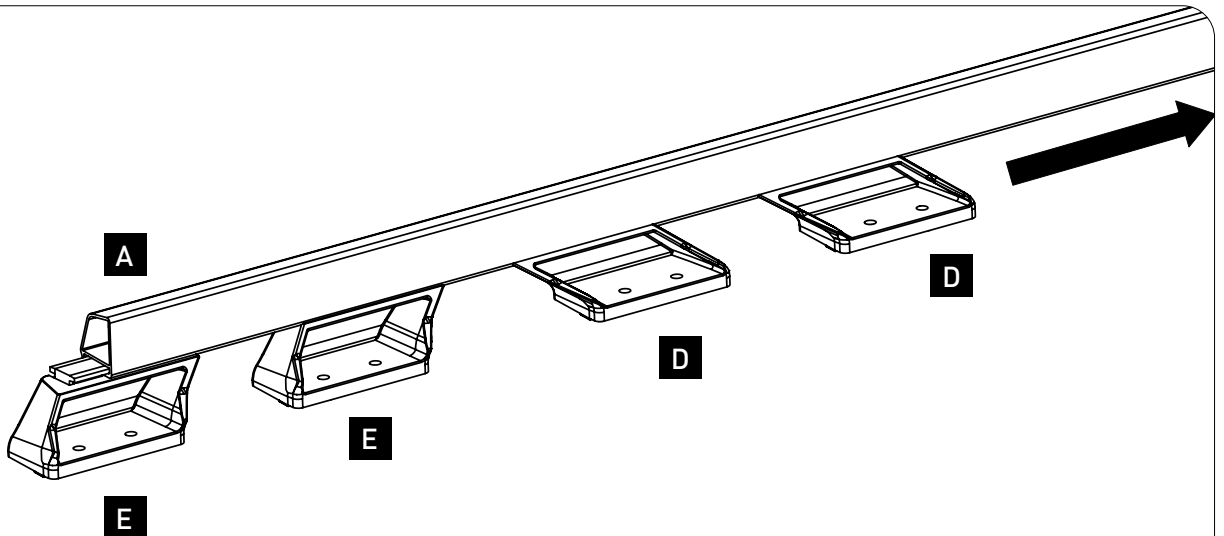


**2**

61010



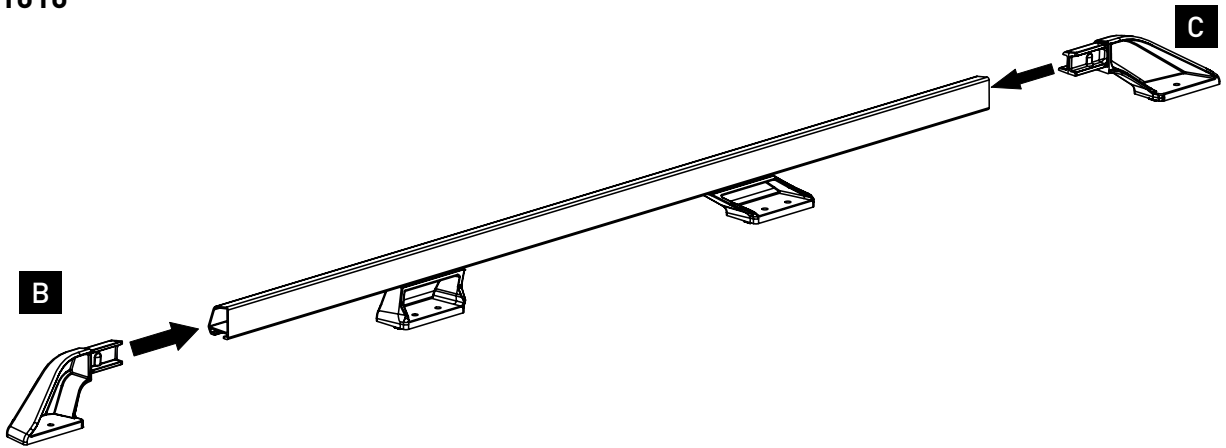
61011  
61012



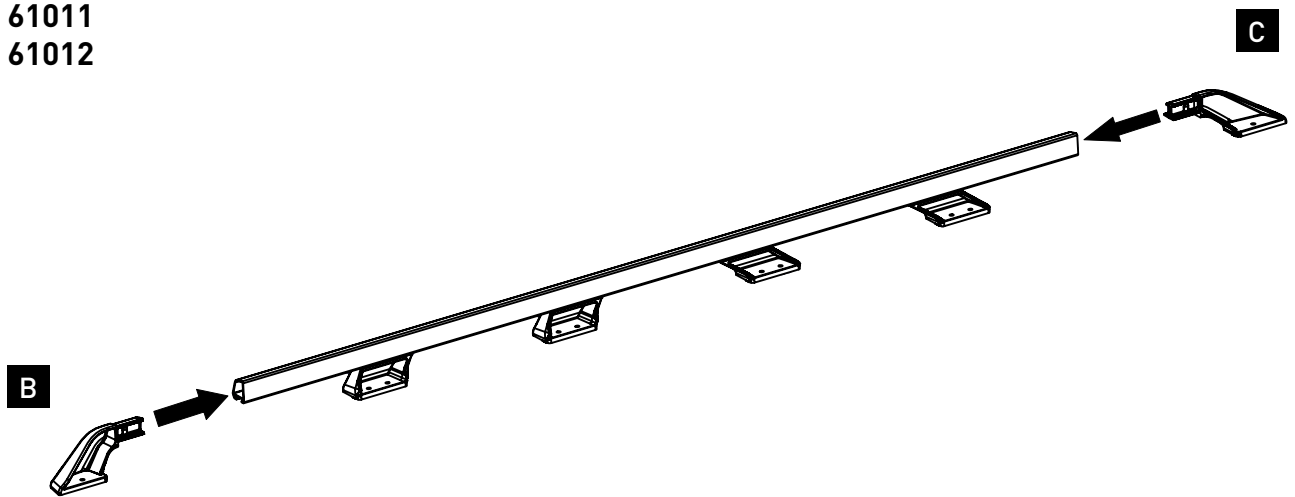


3

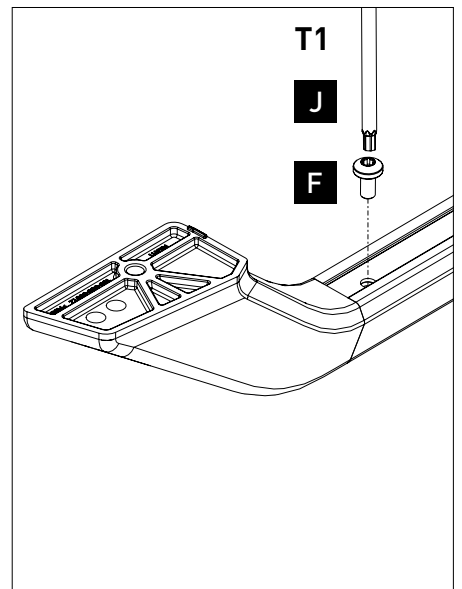
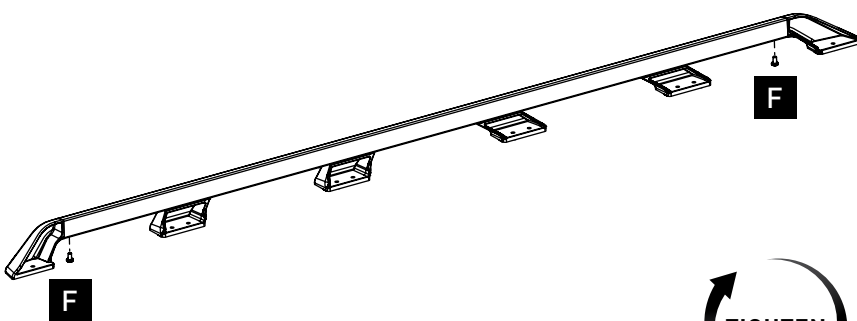
61010



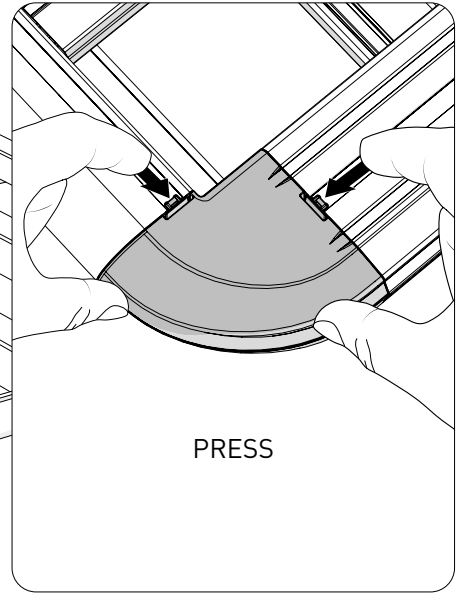
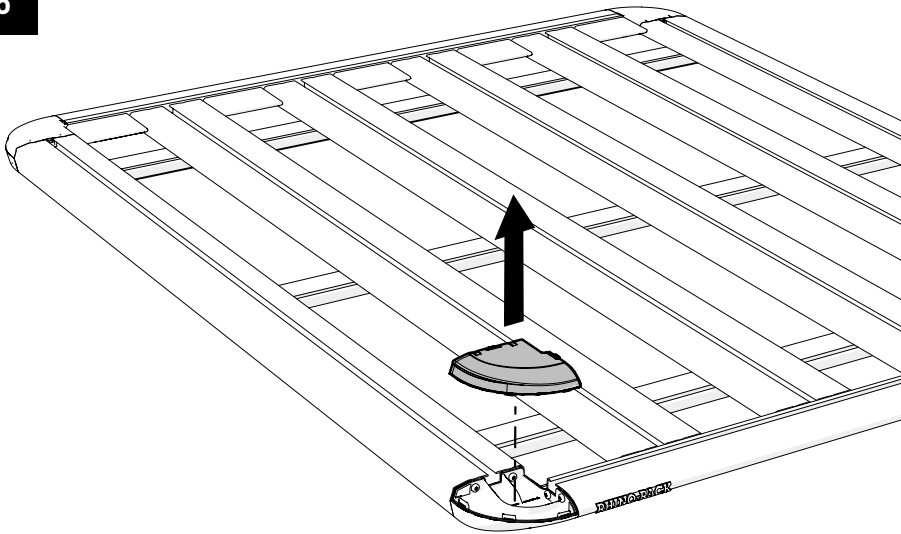
61011  
61012



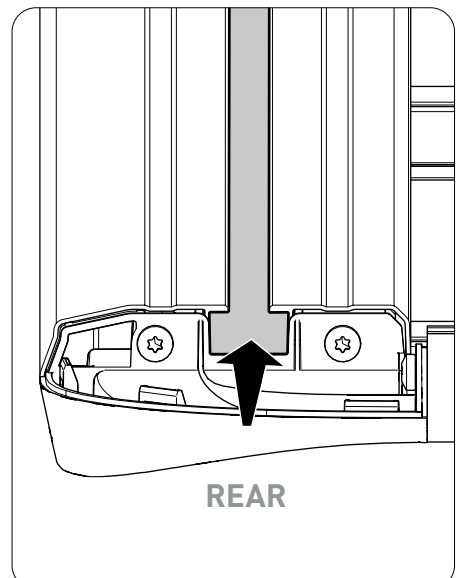
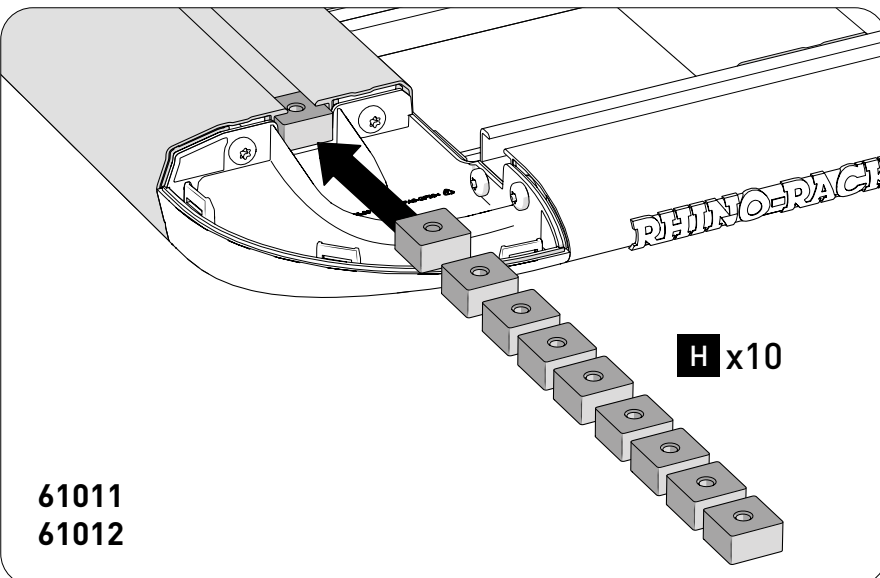
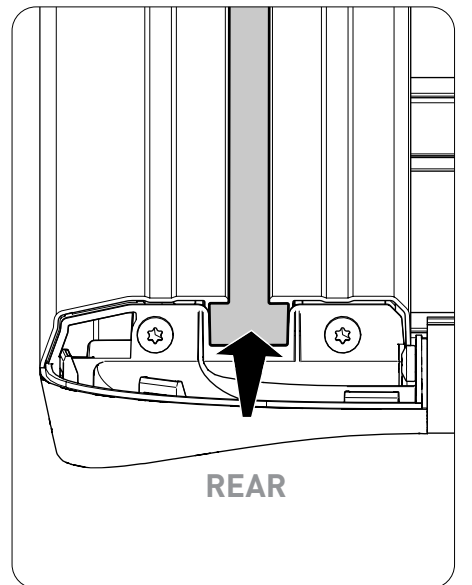
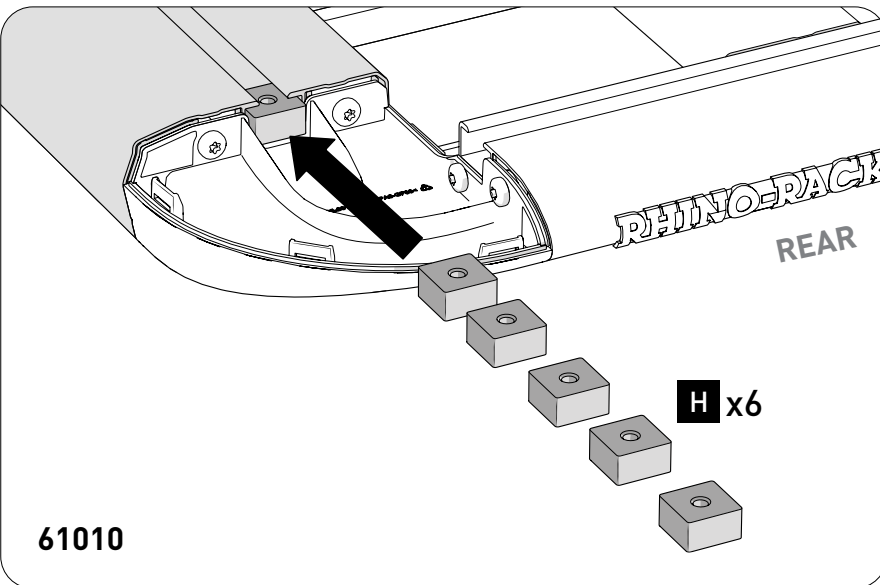
4



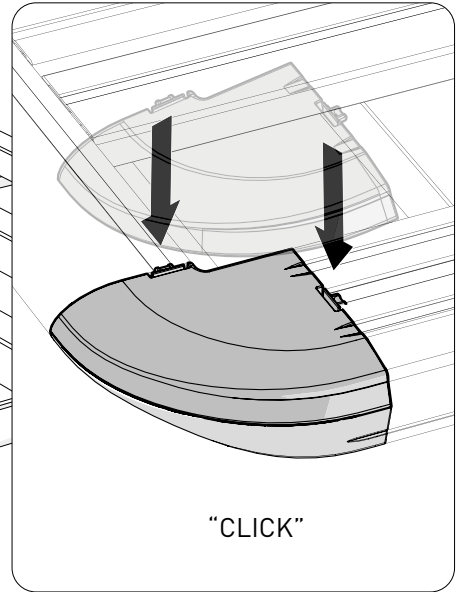
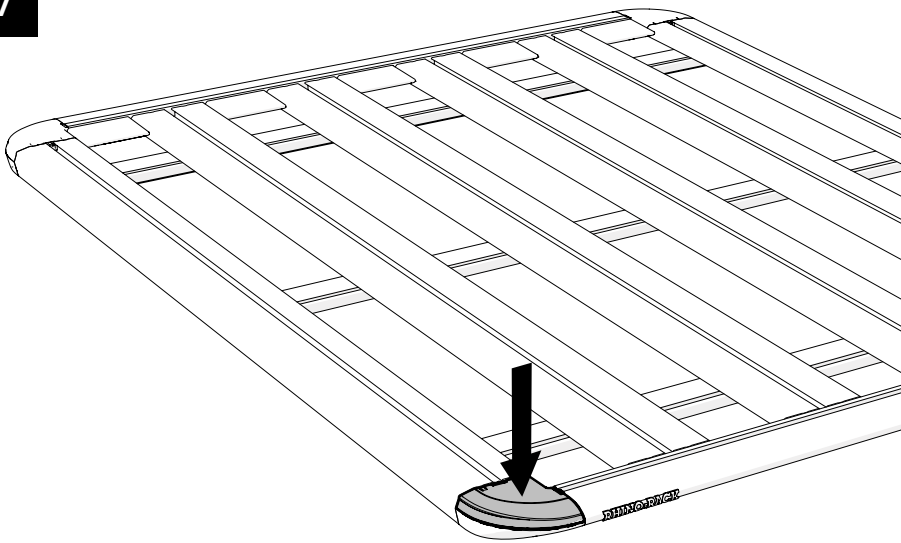
5



6

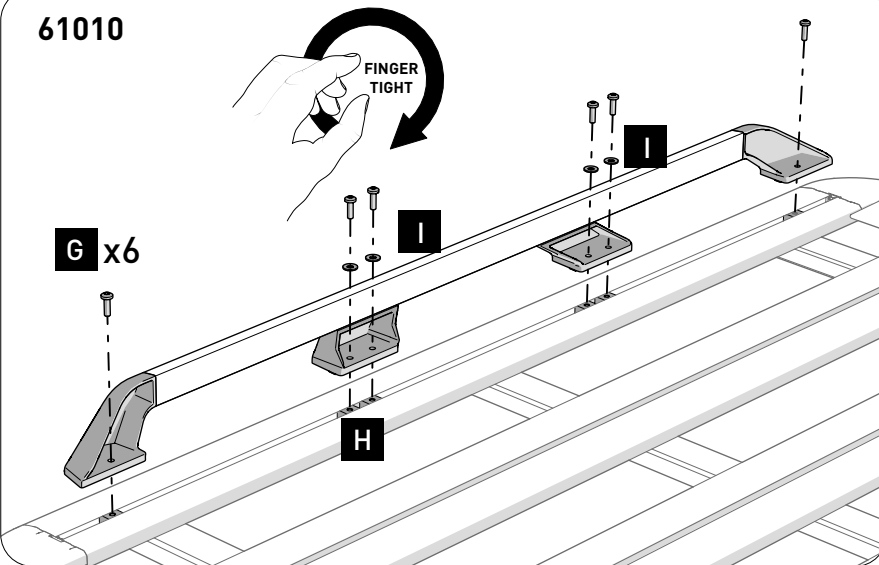


7

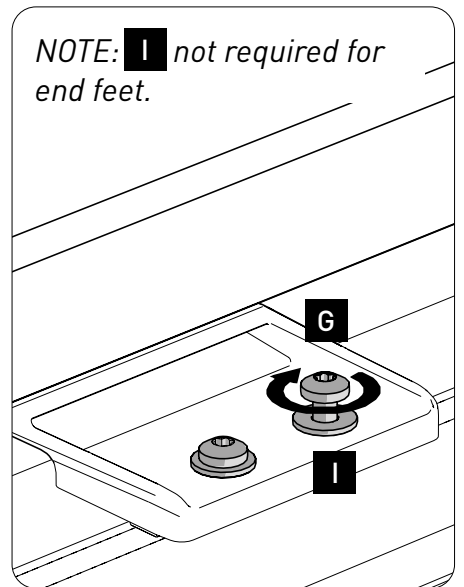


8

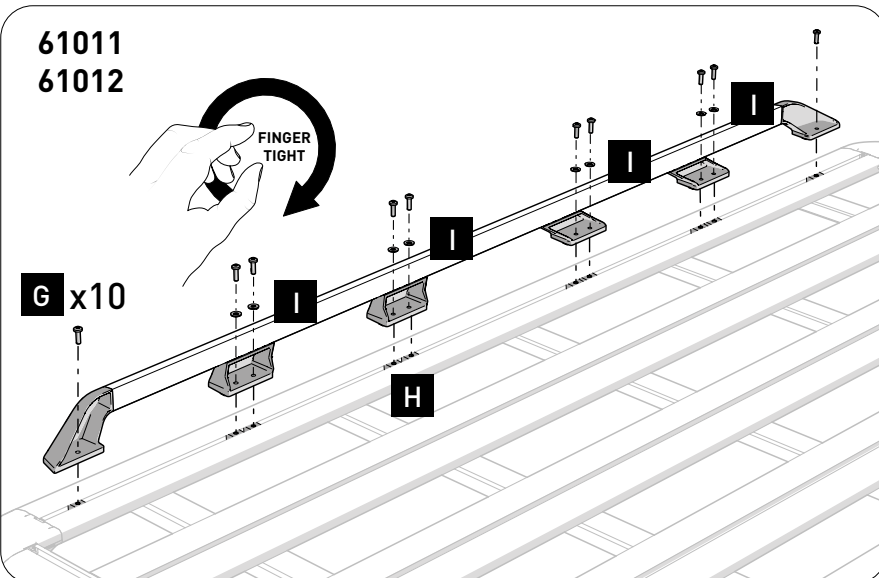
61010



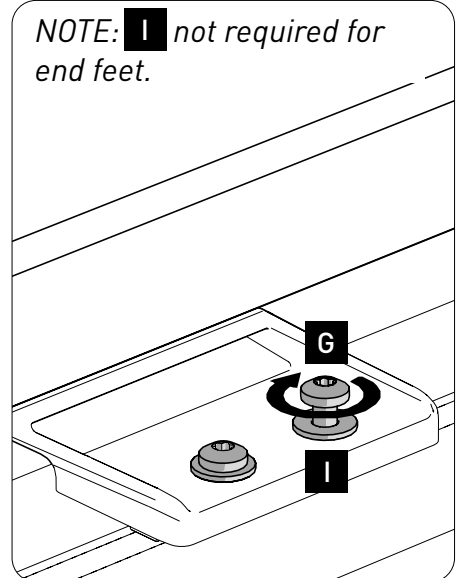
NOTE: **I** not required for end feet.



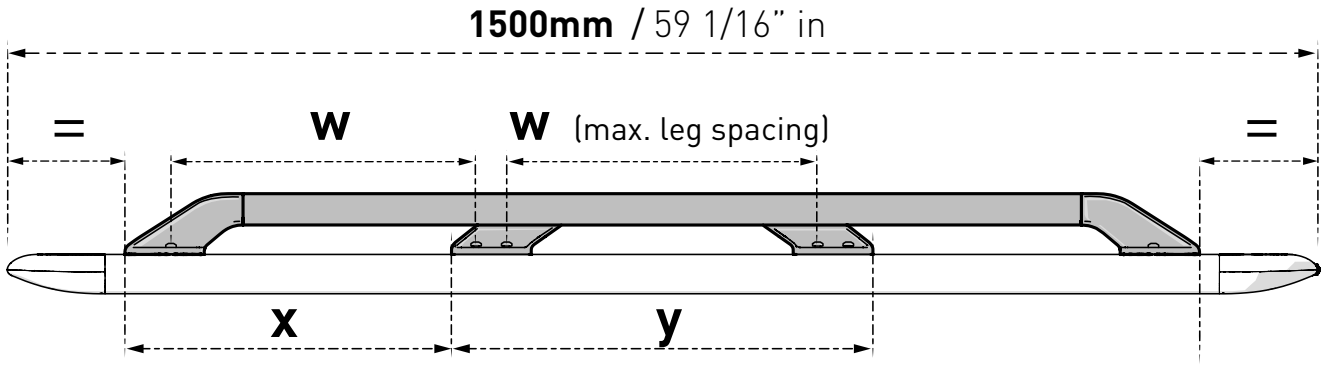
61011  
61012



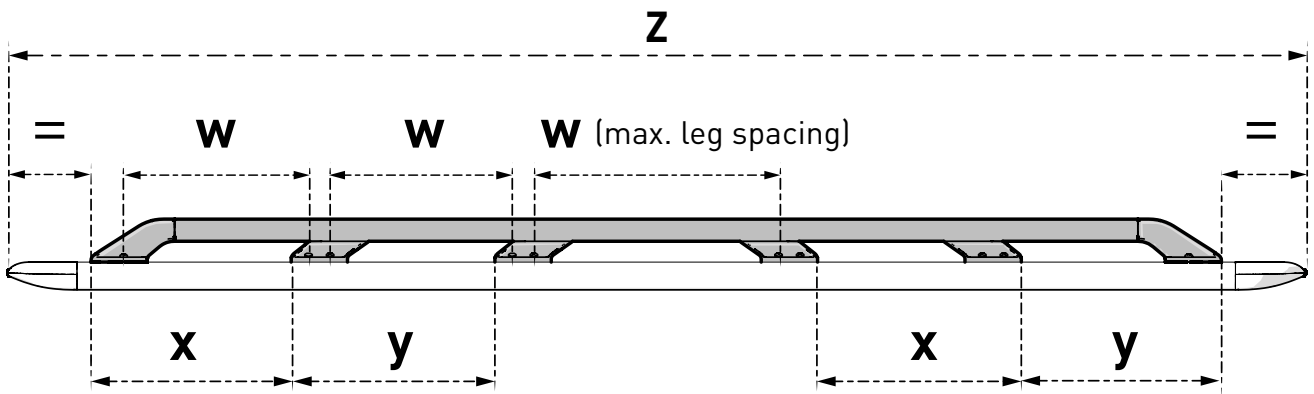
NOTE: **I** not required for end feet.



**9** Position the support and end feet. Support feet can adjust for accessories.

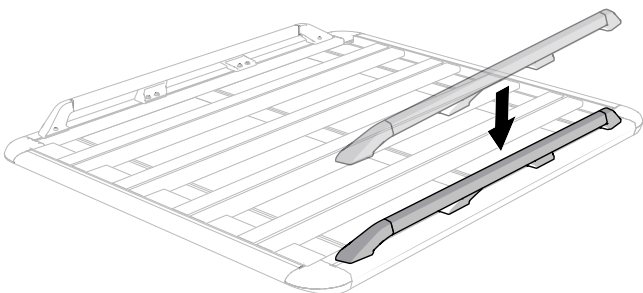


SIDE RAIL KIT	w mm / in	x mm / in	y mm / in
<b>61010</b>	<b>600 / 23 5/8"</b>	<b>339 / 13 3/8"</b>	<b>552 / 21 3/4"</b>

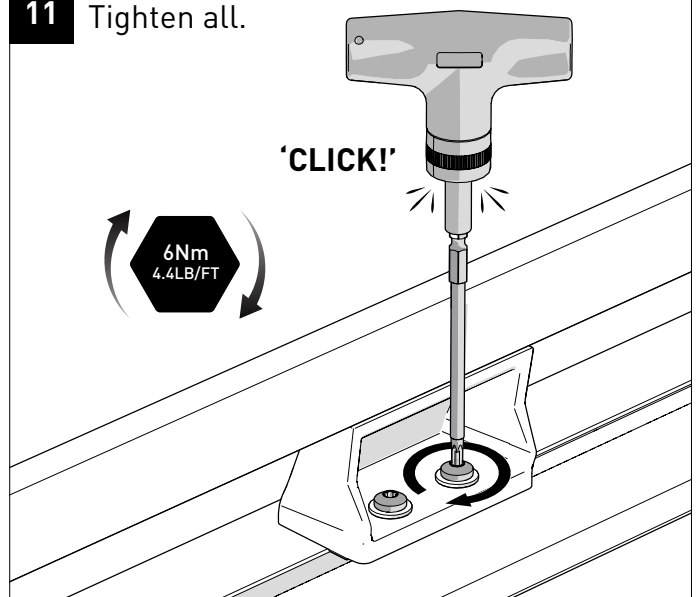


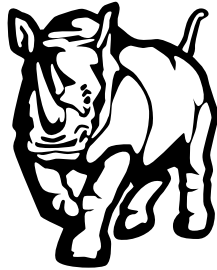
SIDE RAIL KIT	w mm / in	x mm / in	y mm / in	z mm / in
<b>61011</b>	<b>500 / 19 11/16</b>	<b>274 / 10 13/16</b>	<b>300 / 11 13/16</b>	<b>1900 / 74 13/16</b>
<b>61012</b>	<b>600 / 23 5/8"</b>	<b>324 / 12 3/4"</b>	<b>330 / 13"</b>	<b>2100 / 82 11/16</b>

**10** Repeat **2** - **9** to opposite side



**11** Tighten all.





**RHINO-RACK®**

MAKE SPACE FOR ADVENTURE

**RHINORACK.COM**

**Rhino-Rack AUSTRALIA**  
22A Hanson Pl,  
Eastern Creek, NSW, 2766

**Rhino-Rack USA**  
19822 East 22nd Ave,  
Aurora, CO, 80011