
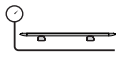




VEHICLE					PIONEER	CONNECTOR	HEIGHT ADDED mm / in	
LEXUS NX Gen 1 4WD/SUV Flush Rail 5 dr					62109	SX067	105 / 4	
REGION	AUS	NZ	USA	CA	SA	UK	EU	ZA
AVAILABILITY	✓	✓	✓	✓	✓	✓	✓	✓
RUN DATES	2014 -	2014 -	2015 -	2015 -	2015 -	2015 -	2015 -	2015 -
VEHICLE NOTES	- Do not operate sunroof							

VISIT THE ONLINE CALCULATOR FOR CURRENT SYSTEM LOAD LIMIT DATA

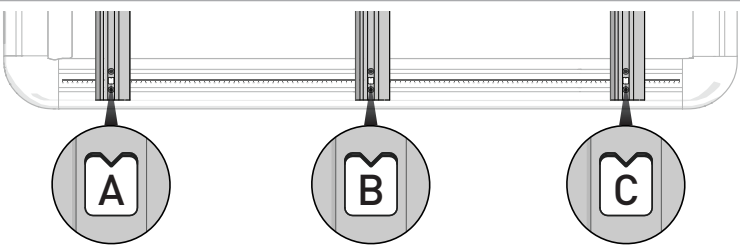
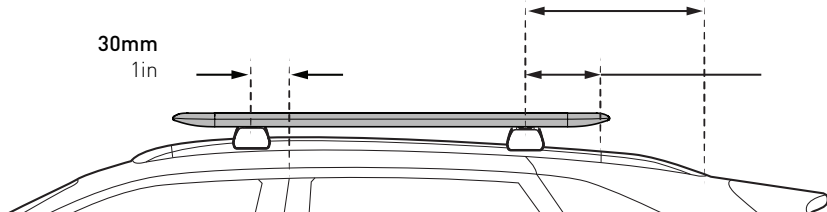


DYNAMIC ROAD LOAD LIMIT (NOTE: DIFFERENT ON AND OFF ROAD CARGO LIMIT)
***USE THE VEHICLE MANUFACTURER'S MAXIMUM ROOF ALLOWANCE IF IT IS LOWER THAN THE FIGURE LISTED**

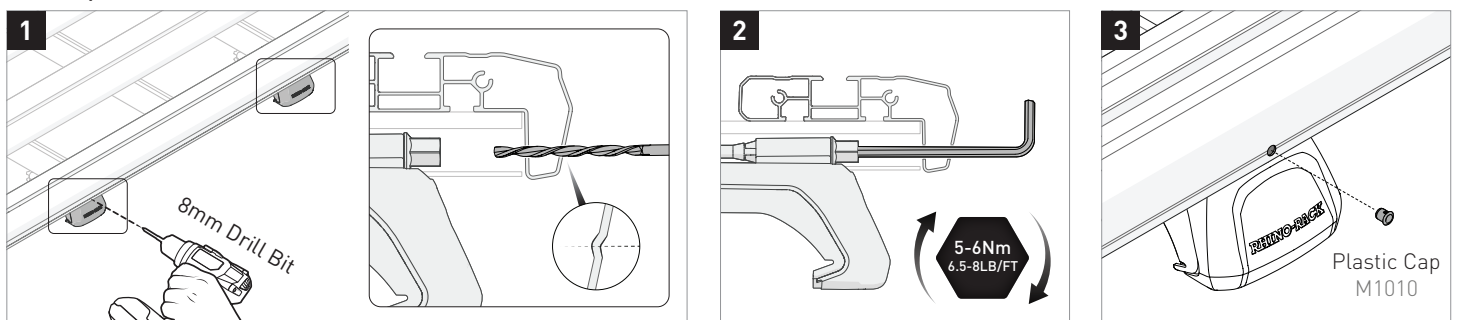
 LOAD LIMIT UP TO 75 Kg* 165 lbs	 SYSTEM WEIGHT UP TO 18 Kg 39 lbs	 ON ROAD CARGO LIMIT UP TO 57 Kg 126 lbs	 OFF ROAD CARGO LIMIT (ON ROAD CARGO LIMIT / 1.5) UP TO 38 Kg 84 lbs
--	---	--	---

OR

UNDERBAR SPACING

FRONT		A	B	C	D	E	F	REAR
								
BAR		A	B	C	D	E	F	G
DIMENSION (CM)		-35.7	0	33.9				
SPACERS REQ'D								
CONNECTOR		SX067		SX067				
OUTER UNDERBAR COVER (mm/in)	Refer to Step 11-12 in Pioneer Series 6 Fitting Instructions to trim B and C							
CENTRE UNDERBAR COVER (mm/in)	Refer to Step 11-12 in Pioneer Series 6 Fitting Instructions to trim B and C							

IF 5-6N/m CANNOT BE OBTAINED



NOTES FOR DEALERS / FITTERS

It is your responsibility to ensure these fitting instructions are given to the end user or client.