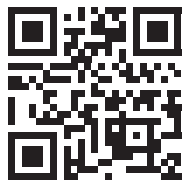



VEHICLE					PIONEER	CONNECTOR	HEIGHT ADDED mm / in	
TOYOTA 4 Runner Gen 5 4WD-SUV Raised Rail 4 dr					62100	RX100		
REGION	AUS	NZ	USA	CA	SA	UK	EU	ZA
AVAILABILITY	x	x	✓	✓	x	x	x	x
RUN DATES	-	-	2010 -	2010 -	-	-	-	-
VEHICLE NOTES	- Do not operate sunroof							

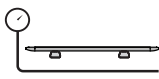
VISIT THE ONLINE CALCULATOR FOR CURRENT SYSTEM LOAD LIMIT DATA




DYNAMIC LOAD LIMIT (ON AND OFF-ROAD):
***USE THE VEHICLE MANUFACTURER'S MAXIMUM ROOF ALLOWANCE IF IT IS LOWER THAN THE FIGURE LISTED**


UP TO 81 Kg
178 lbs


+



19 Kg
42 lbs

=

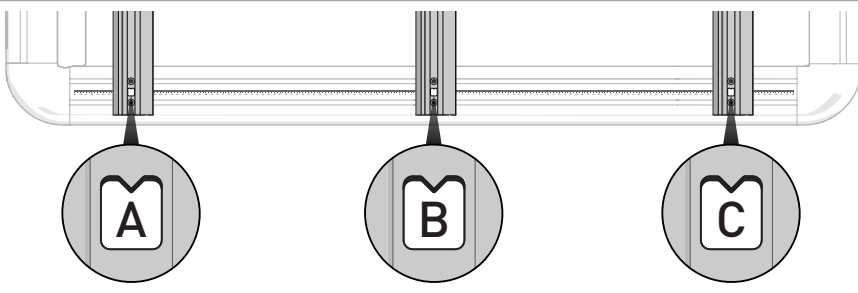

UP TO 100 Kg
220 lbs

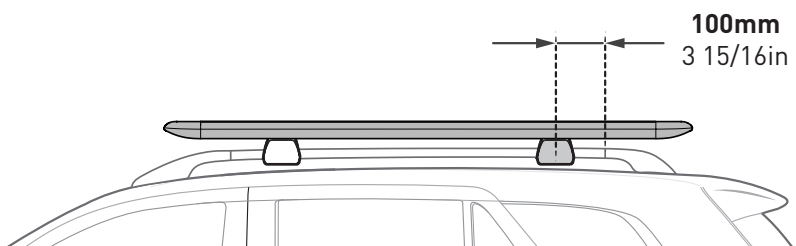
OR


***VEHICLE MANUFACTURER'S ROOF LOAD LIMIT**


TOTAL STATIC LOAD LIMIT: UP TO 250 Kg / 551 lbs*

UNDERBAR SPACING

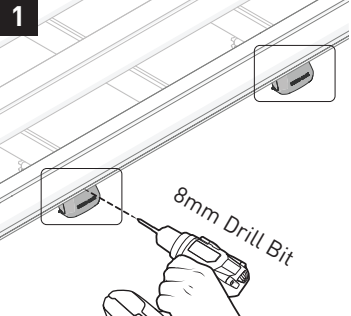
FRONT								REAR
BAR	A	B	C	D	E	F	G	
DIMENSION (CM)	-39.5	0	44.5					
SPACERS REQ'D								
CONNECTOR	RX100		RX100					
OUTER UNDERBAR COVER (mm/in)	Refer to Step 11-12 in the Pioneer Series 6 Instructions to trim B and C							
CENTRE UNDERBAR COVER (mm/in)	Refer to Step 11-12 in the Pioneer Series 6 Instructions to trim A							



100mm
3 15/16in

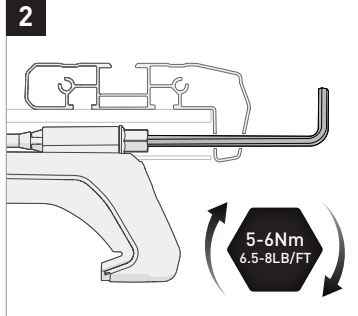
IF 5-6N/m CANNOT BE OBTAINED

1



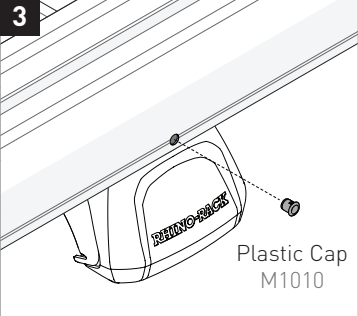
8mm Drill Bit

2



5-6Nm
6.5-8LB/FT

3



Plastic Cap M1010

NOTES FOR DEALERS / FITTERS

It is your responsibility to ensure these fitting instructions are given to the end user or client.